



FORNO

IGNITE YOUR NATURE

ENOK

ENOK

The ENOK is a stylish addition to any outdoor space. This outdoor fireplace is characterised by its airy design. The simplicity of the ENOK's open base is particularly striking.

FEATURES

The ENOK boasts a sleek and minimalist design that will complement any garden. This wood-burning fireplace will instantly add warmth and character to any outdoor setting. The ENOK is available in two versions: with or without a base. The version with a base has a useful space for storing wood, while the other can be mounted on a wall. Make the ENOK the inviting focus of your seating area.





CORTEN STEEL

The warm colour of corten steel combines beautifully with other natural garden elements, such as stacked firewood! The ENOK is made of corten steel, which develops an orange-brown patina over time. Corten steel is a metal alloy made by adding copper, phosphorus, silicon, nickel and chromium to iron. When exposed to air, the material forms a protective layer of rust. This natural coating prevents further corrosion.

SPECIFICATIONS

- 5-year guarantee.
- Corten steel is very robust, hard-wearing, weatherproof, low-maintenance and durable.
- Fireplace dimensions (LxWxH): 1000x500x500 mm.
- Base dimensions (LxWxH): 1000x500x500 mm.
- Double-walled firebox
- The ENOK has provision for adding a barbecue grill. The grill can be ordered separately. (Item number BAC8.) Our BBQ grills are tested and SGS certified.
- This fireplace is not delivered with a door as standard. The door can be ordered separately.
- Does not include flue pipe or rain cap.

KEY POINTS TO NOTE

- Always place the outdoor fireplace on a flat, heat-resistant, stable surface or attach it to a sturdy, heat-resistant wall.
- Use one wall bracket per metre of flue pipe or use a roof duct.
- Products should be unpacked immediately upon receipt to release any moisture trapped inside the packaging. If the product is left in its packaging, it may develop uneven rust patches.
- Pay close attention to the diameter of any accessories you order. For this fireplace, they should be 204 mm.
- Products are delivered un-rusted. The corten steel rusting process takes about 4–5 months, depending on weather conditions.
- We do not recommend using corten steel within 2 km of a coastline.
- The rust can be fixed by applying Owatrol. This is a penetrating rust inhibitor that forms a protective anti-rust coating. Owatrol protects the product and stops the rust on corten steel flaking off.
- The guarantee is void if the product is drilled, sanded or scoured in a manner other than prescribed.





COATED STEEL

The black coating gives it a timeless appeal and allows it to be combined with other black-coated products. The ENOK has a heat-resistant, rust-proof coating. To minimise the impact of weather conditions on the ENOK outdoor fireplace, we recommend placing it under a canopy or shelter. Some rusting may unavoidably occur over time due to exposure to the elements.

SPECIFICATIONS

- 5-year guarantee.
- Steel is very robust, hard-wearing, low-maintenance and durable.
- Heat-resistant coating RAL colour 9005.
- Fireplace dimensions (LxWxH): 1000x500x500 mm.
- Base dimensions (LxWxH): 1000x500x500 mm.
- Double-walled firebox
- The ENOK has provision for adding a barbecue grill. The grill can be ordered separately. (Item number BAC8.) Our BBQ grills are tested and SGS certified.
- This fireplace is not delivered with a door as standard. The door can be ordered separately.
- Does not include flue pipe or rain cap.

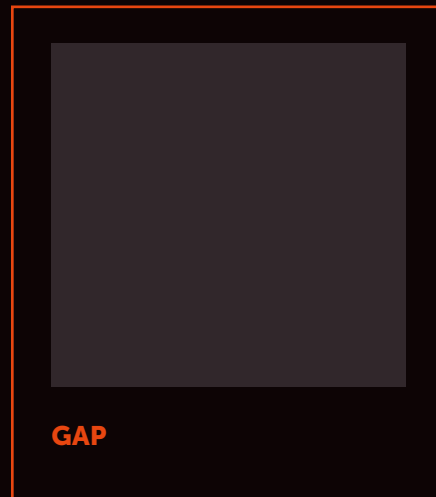
KEY POINTS TO NOTE

- Always place the outdoor fireplace on a flat, heat-resistant, stable surface or attach it to a sturdy, heat-resistant wall.
- Use one wall bracket per metre of flue pipe or use a roof duct.
- Products should be unpacked immediately upon receipt to release any moisture trapped inside the packaging. If the product is left in its packaging, it may develop patches of uneven discolouration.
- Pay close attention to the diameter of any accessories you order. For this fireplace, they should be 204 mm.
- The guarantee is void if the product is drilled, sanded or scoured in a manner other than prescribed.
- If necessary, treat any areas that have dulled or developed rust with a coating such as our Heat-Resistant Spray Paint RAL 9005 black.



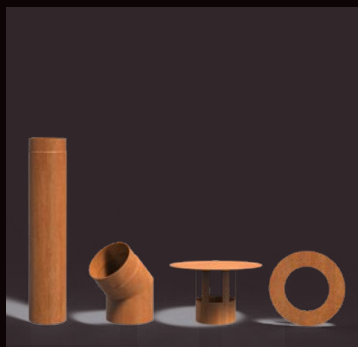
Models

Click on the images for more information about the products.



Accessories

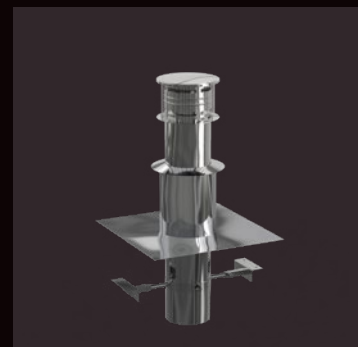
All our accessories meet the highest standards and are an highly suitable addition to our products.
Visit www.forno.eu for a complete overview of our accessories.



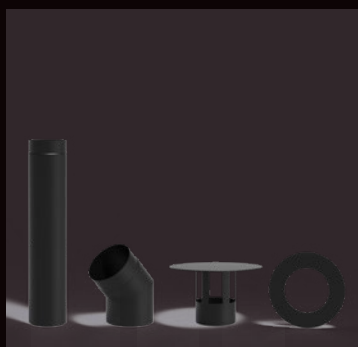
**FLUE 200
CORTEN STEEL**



**OUTDOOR FIREPLACE
DOOR CORTEN STEEL**



ROOFPASSAGE



**FLUE 200
COATED STEEL**



**OUTDOOR FIREPLACE
DOOR COATED STEEL**



SET WALL CLIP



Maintenance

All our accessories meet the highest standards and are an highly suitable addition to our products. Visit www.forno.eu for a complete overview of our accessories.



RUST ACCELERATOR

Our Corten Steel products are delivered un-rusted and the weathering process will take approximately 4-5 months. This process can be accelerated with the BIO rust accelerator available on our website.

Always read the descriptions on the packaging carefully before use.



FORNO

IGNITE YOUR NATURE

Spending time outdoors has soared in popularity over the last few years, becoming an increasingly important part of our daily lives. FORNO offers a diverse range of products guaranteed to enhance the outdoor experience. Our collections create an ambience in which you can enjoy your garden to the fullest.

All our products have their own character, but they are designed to work together, allowing you to create endless combinations. The materials, finishes and styles are repeated across the collections so that they coordinate beautifully. The result? A long-lasting, stylish garden design: from fire tables to exclusive outdoor kitchens and from sturdy fireplaces to timeless wood storage.

We design and manufacture all our products in-house, ensuring that we can continue to provide the high quality that you have come to expect from us. And we do this at the most competitive price possible. All our products are made in Europe with the utmost care, so we can be sure that they meet our exacting standards.

FORNO® product information edition 1, 06 - 2023.

This product information has been compiled with great care.

It is nevertheless possible that it contains errors or is not up to date. We reserve the right to amend or change prices and images.

