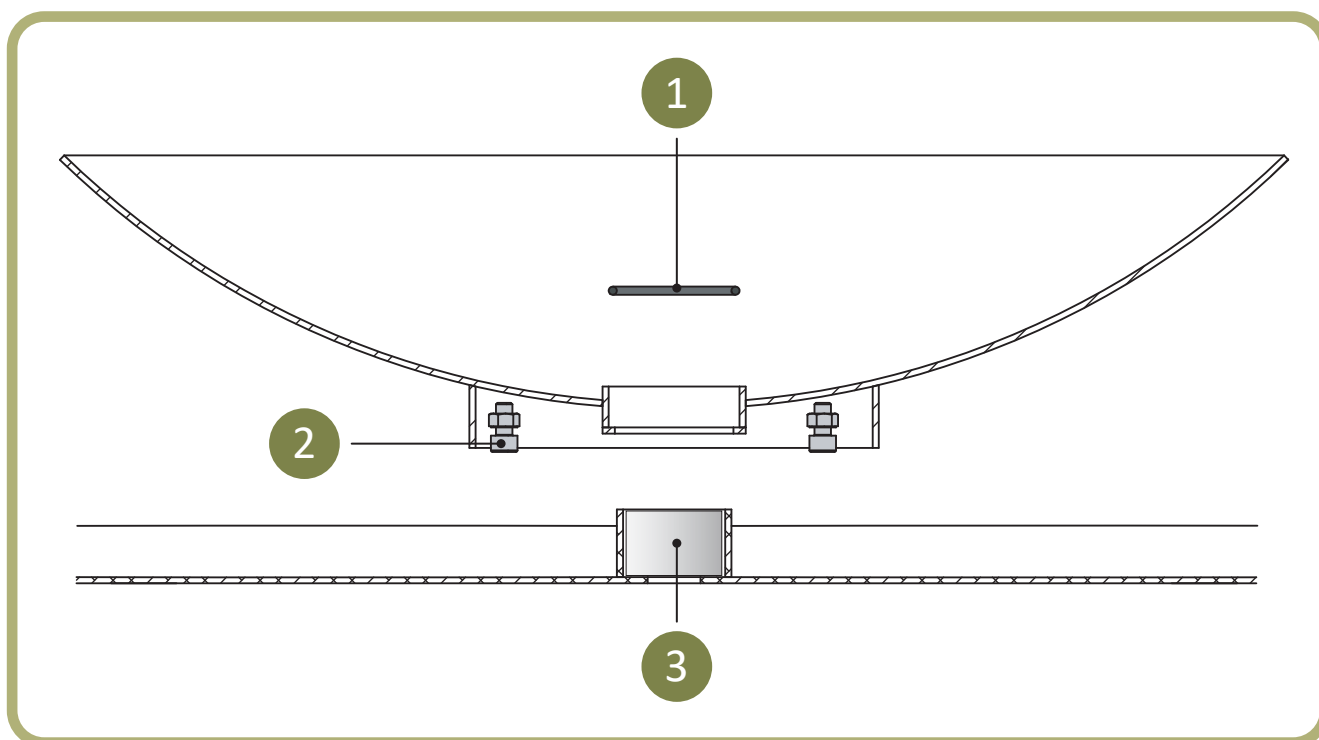


Water table with bowls



1

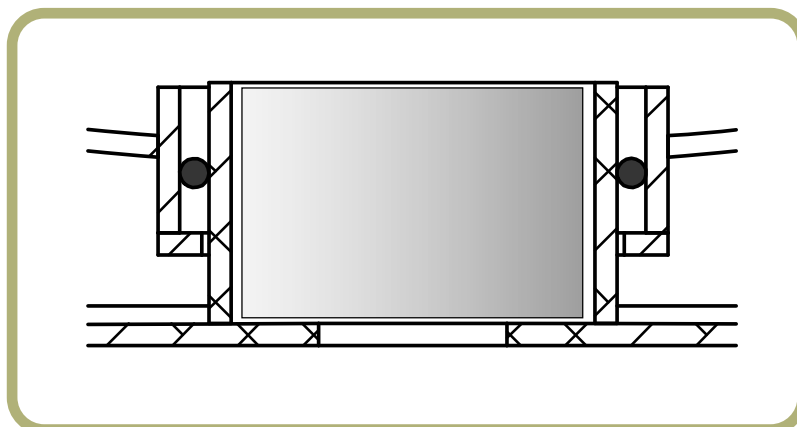
Rubber O-ring

2

Stainless steel level screw

3

Fountain with LED lighting



Rubber O-ring

Place O-ring at shown position.

Stainless steel level screw

Every bowl can be leveled with 3 stainless steel set screws.

Fountain with LED lighting

Recommended fountain height is 3 cm above the water surface, adjustable by means of a ball valve.

Important!

Remove bowls before opening water table.

