

2300

25  
290  
3

		DATE	
DRAWN	Evert Manders	3-4-2024	
REVISION	Bas Vlamings	8-4-2026	

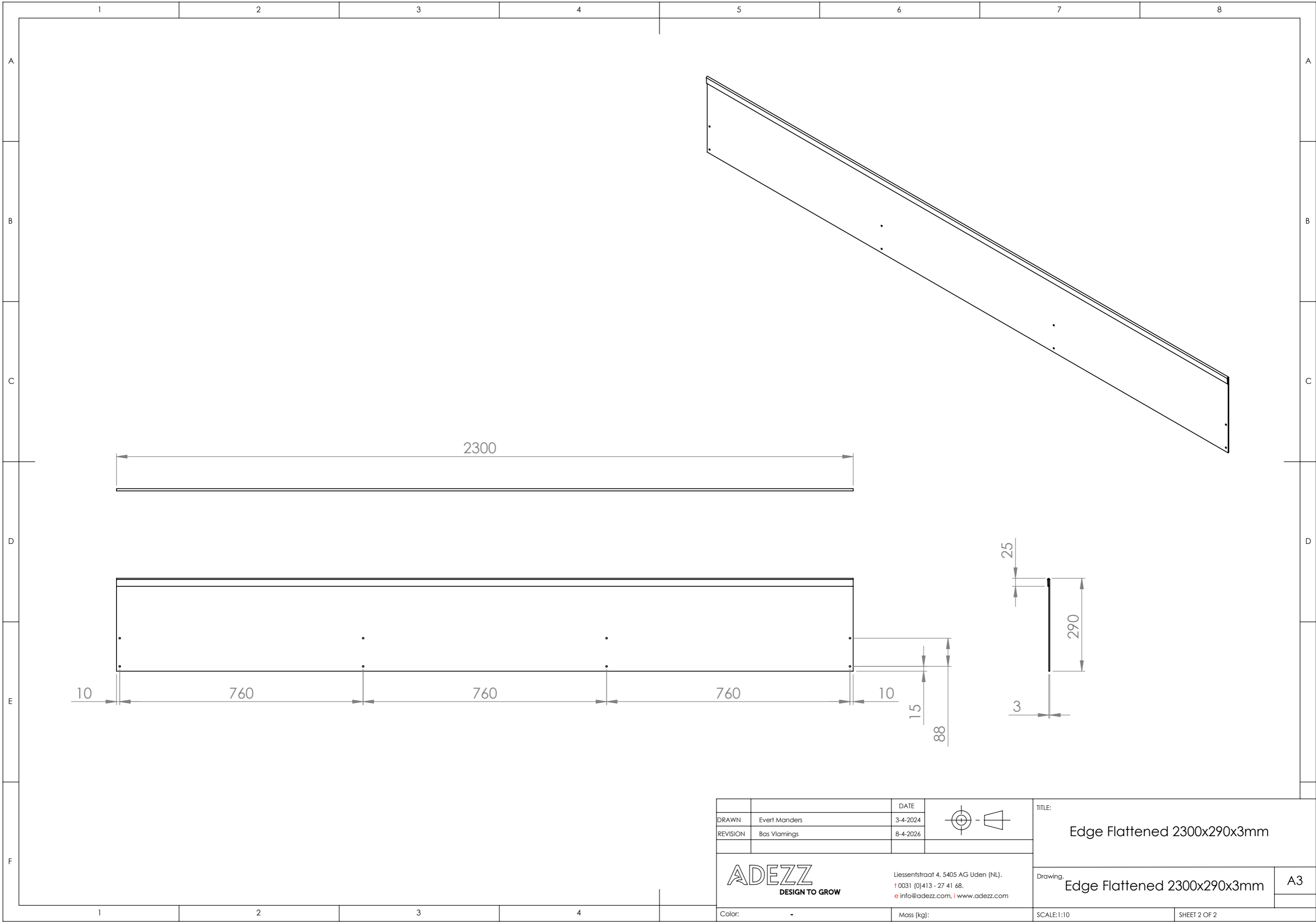
TITLE:  
**Edge Flattened 2300x290x3mm**

**ADEZZ**  
DESIGN TO GROW

Liessentstraat 4, 5405 AG Uden (NL).  
 † 0031 (0)413 - 27 41 68.  
 e info@adezz.com, i www.adezz.com

Drawing:  
**Edge Flattened 2300x290x3mm** **A3**

Color:	-	Mass (kg):		SCALE:1:10	SHEET 1 OF 2
--------	---	------------	--	------------	--------------



		DATE	
DRAWN	Evert Manders	3-4-2024	
REVISION	Bas Vlamings	8-4-2026	

TITLE:  
Edge Flattened 2300x290x3mm

**ADEZZ**  
DESIGN TO GROW

Liessentstraat 4, 5405 AG Uden (NL).  
 † 0031 (0)413 - 27 41 68.  
 e info@adezz.com, i www.adezz.com

Drawing:  
Edge Flattened 2300x290x3mm

A3