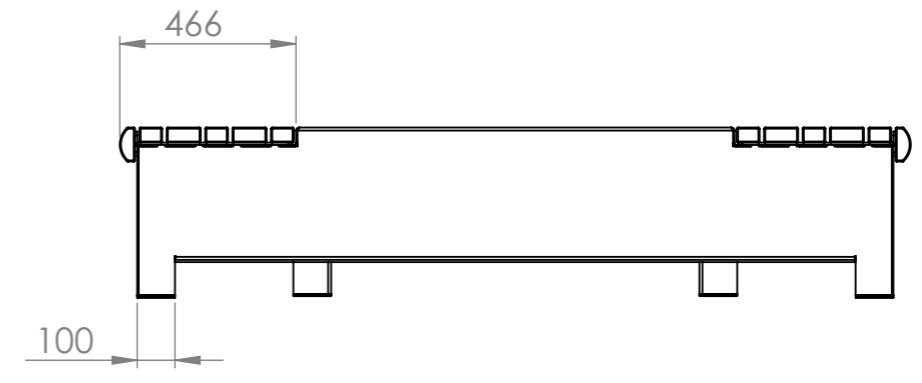
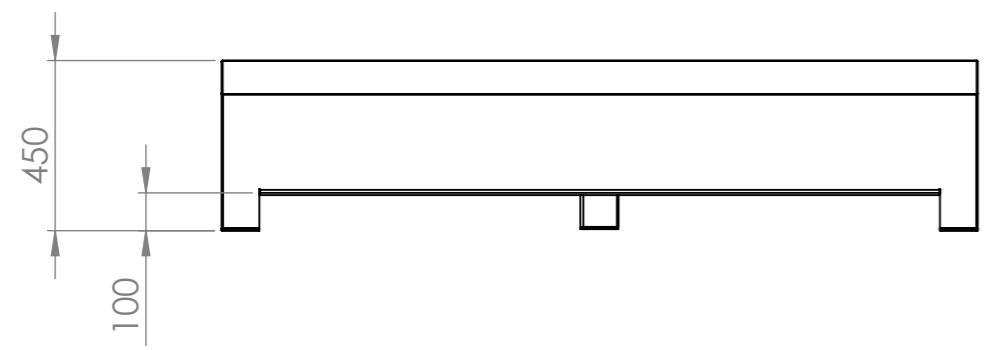
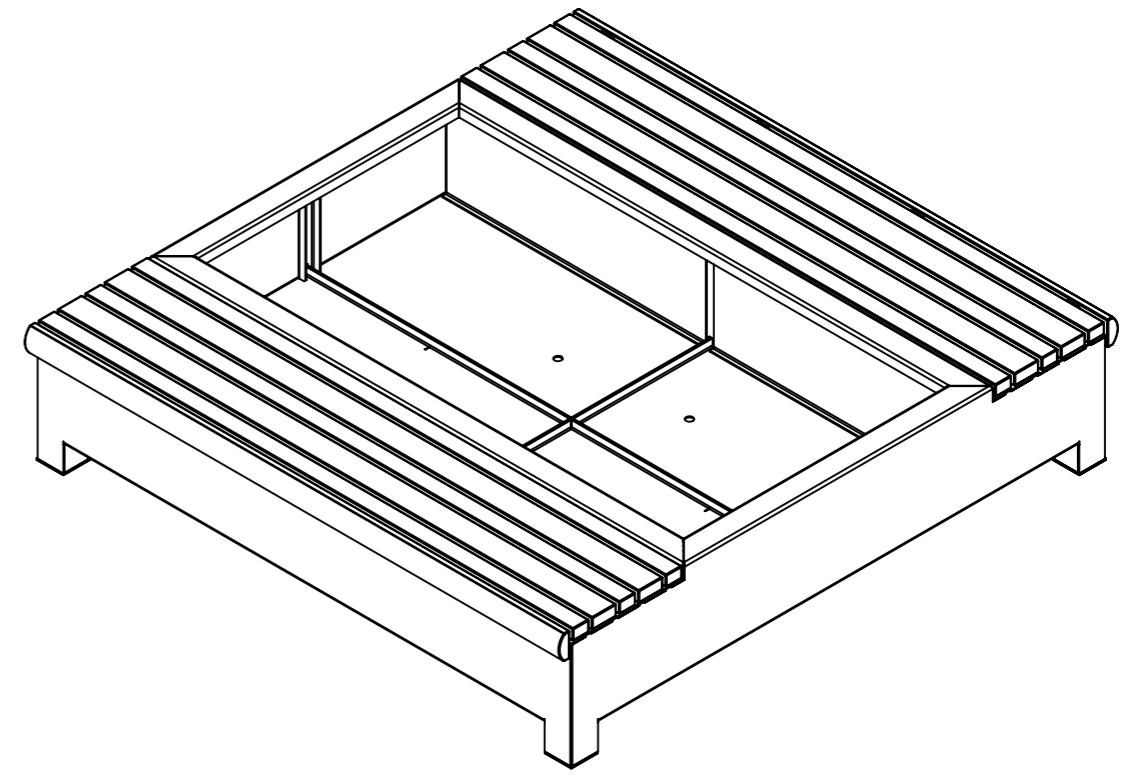
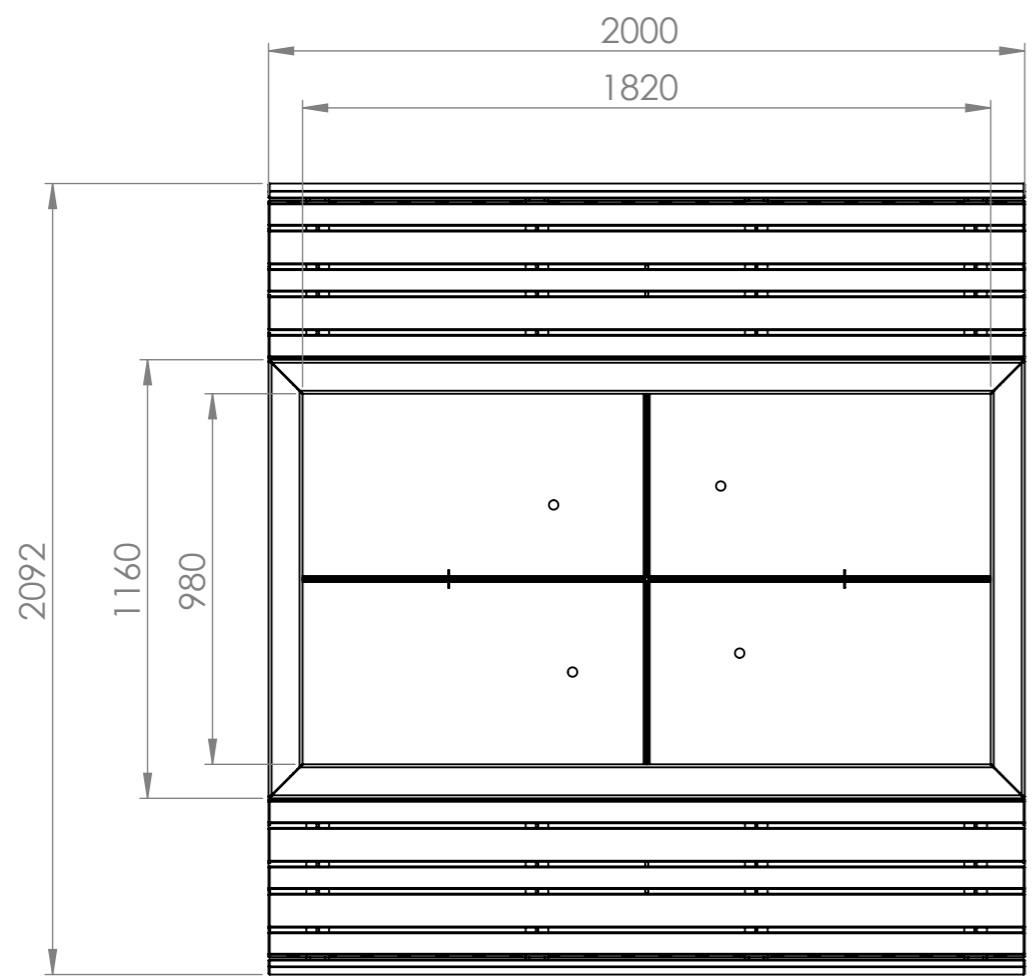


1 2 3 4 5 6 7 8

A
B
C
D
E
F



DRAWN	Dorus Bannenberg	DATE	1-12-2020		TITLE:	GP.2000.D.AI	
REVISION					Drawing:	GP.2000.D.AI	A3
				Liessentstraat 4, 5405 AG Uden (NL). † 0031 (0)413 - 27 41 68. e info@furns.nl, † www.furns.nl		SCALE:1:20	SHEET 1 OF 25
Color:							