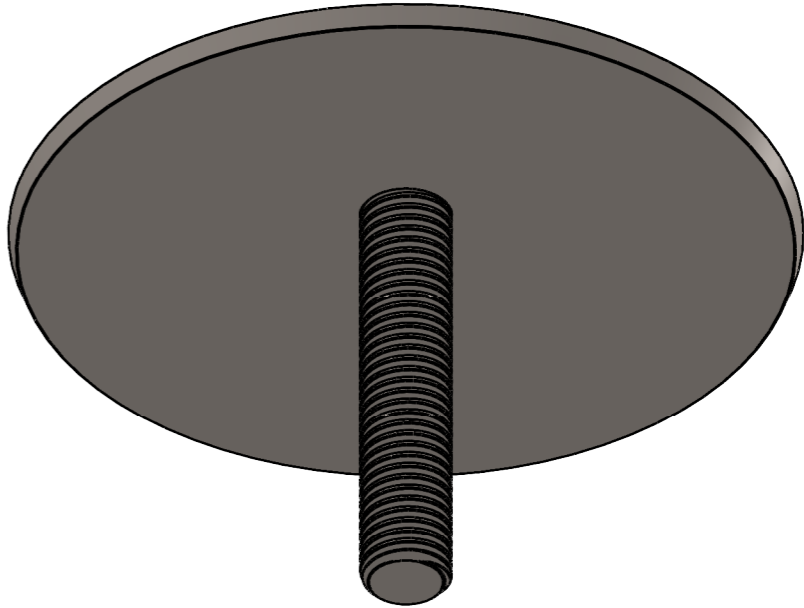
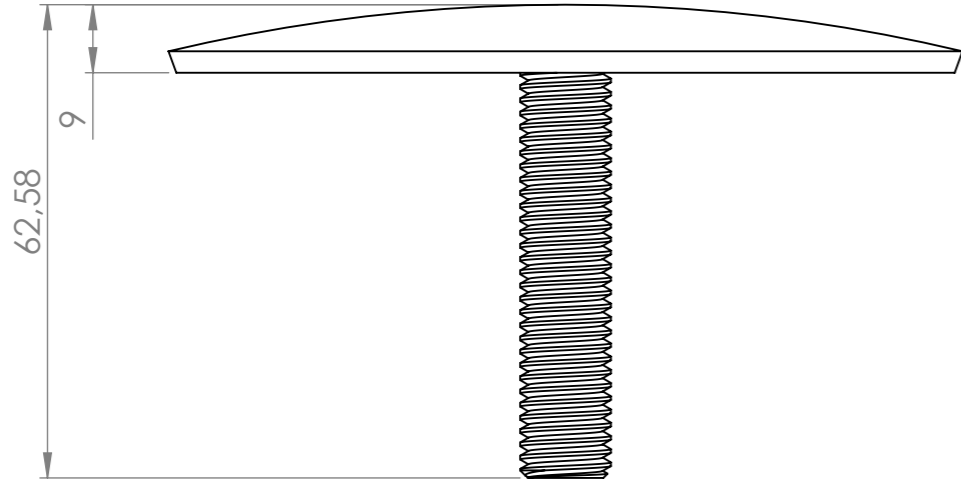


Ø 105



DRAWN	Sil v. Duijnhoven	DATE	30-9-2019		TITLE:	RS 105 RVS	
REVISION					Drawing.	RS 105 RVS	A3
<b>FURNS</b> <small>STREET FURNITURE</small> 				Liessentstraat 4, 5405 AG Uden (NL). † 0031 (0)413 - 27 41 68. e info@furns.nl, † www.furns.nl		SCALE:1:1	SHEET 1 OF 2
Color:		Mass(kg):					