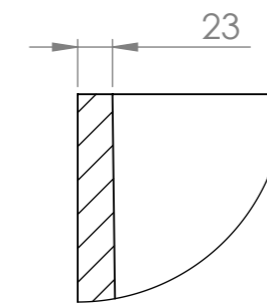
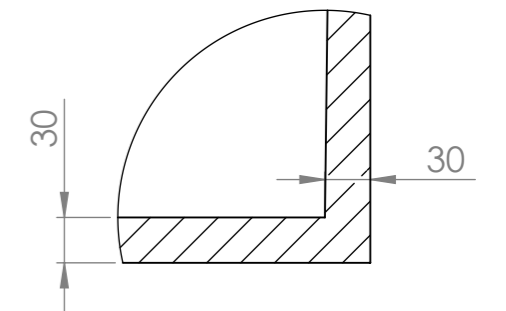


SECTION A-A



DETAIL 1  
SCALE 1 : 5



DETAIL 2  
SCALE 1 : 5

DRAWN	M. Verhoeven	DATE	00-00-00		TITLE:	Polymer Concrete	
REVISION					Drawing.	BT6.1	A3
		Liessentstraat 4, 5405 AG Uden (NL). † 0031 (0)413 - 27 41 68. e info@adezz.com, i www.adezz.com		Color:	-	Mass (kg):	
				SCALE:1:10	SHEET 1 OF 1		