

1 2 3 4 5 6 7 8

A A

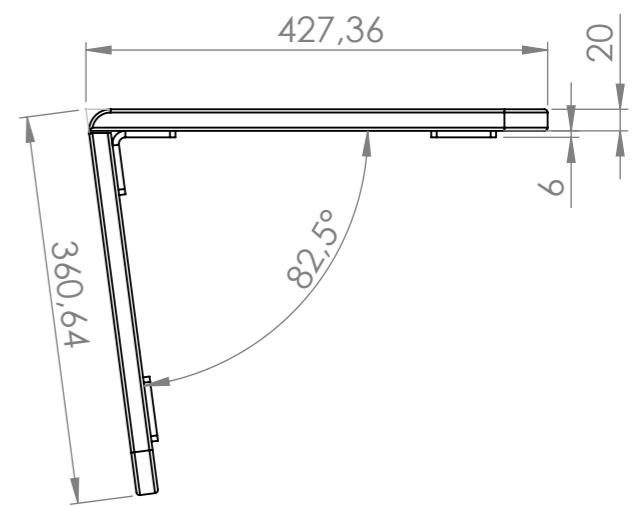
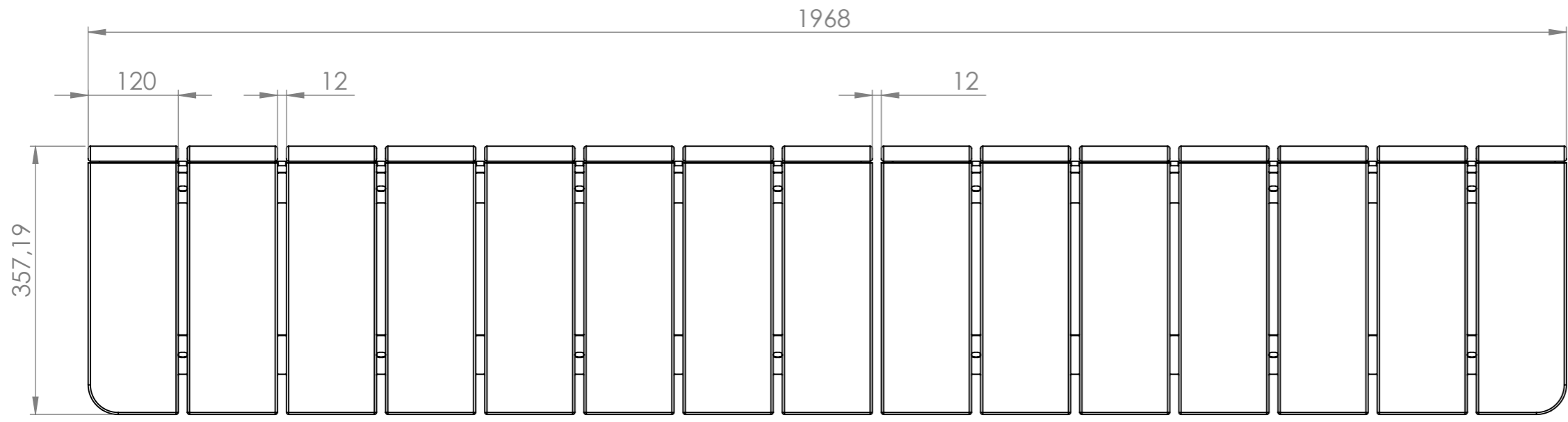
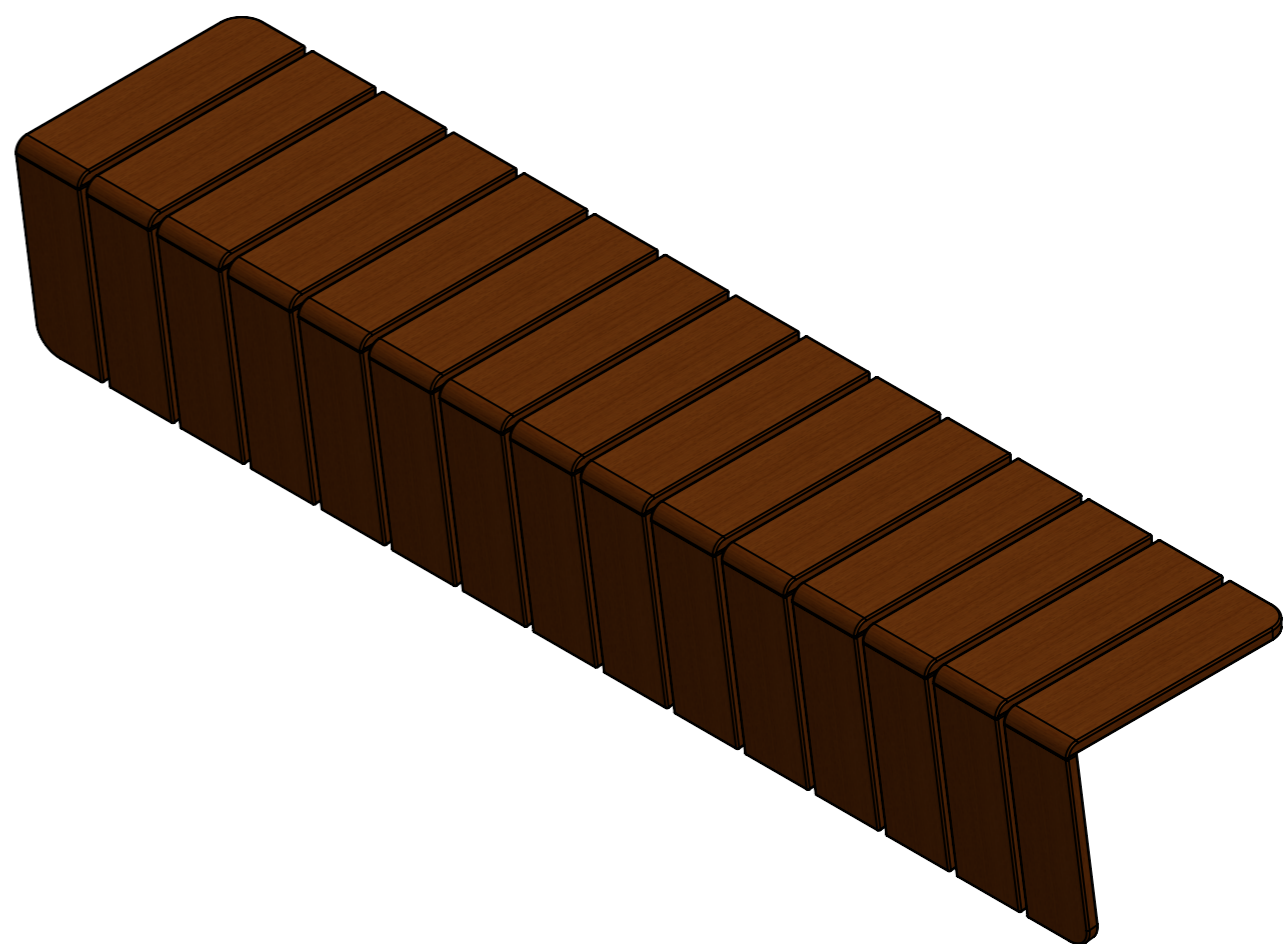
B B



C C

D D

E E

F F



DRAWN	Dorus Bannenberg	DATE	18-7-2024		TITLE:	RS.R.BS.2000	
REVISION					Drawing.	RS.R.BS.2000	A3
		Liessentstraat 4, 5405 AG Uden (NL). † 0031 (0)413 - 27 41 68. e info@furns.nl, i www.furns.nl			SCALE:1:7	SHEET 1 OF 14	
Color:	-						