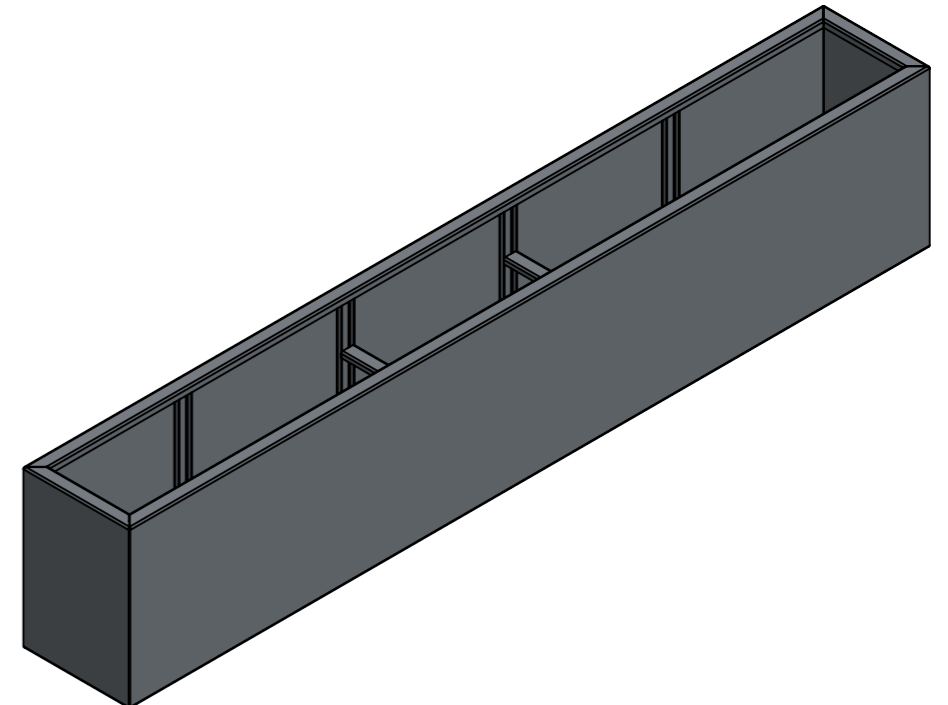


DETAIL A
SCALE 1 : 5



DRAWN	Juul Janssen	DATE	19-11-2024		TITLE:	3mm Aluminum	
REVISION					Drawing:	AF30.05	A3
		Liessentstraat 4, 5405 AG Uden (NL). † 0031 (0)413 - 27 41 68. e info@adezz.com, i www.adezz.com		Color:	Mass (kg):	49.37	SCALE:1:20
					SHEET 1 OF 8		