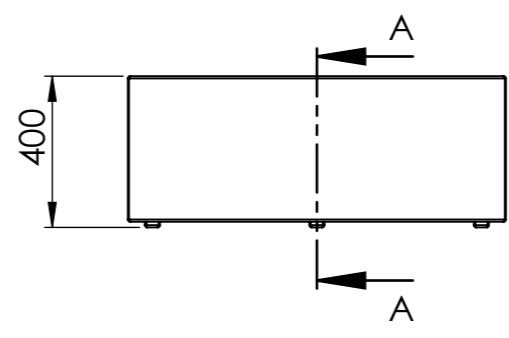
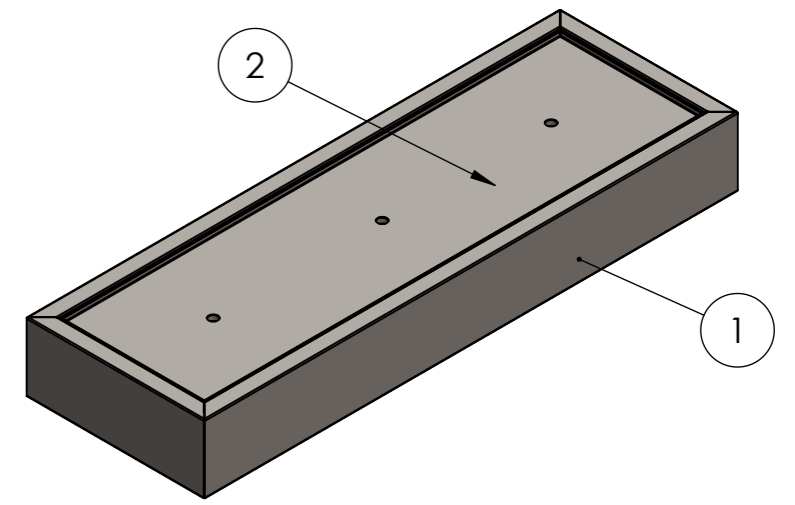
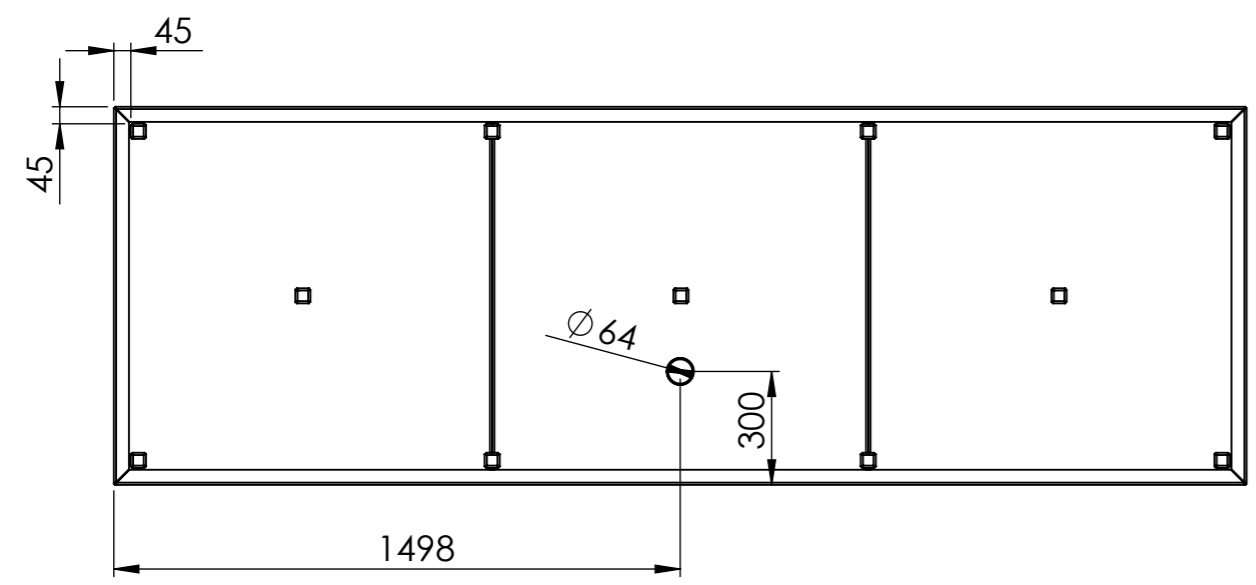


SECTION A-A

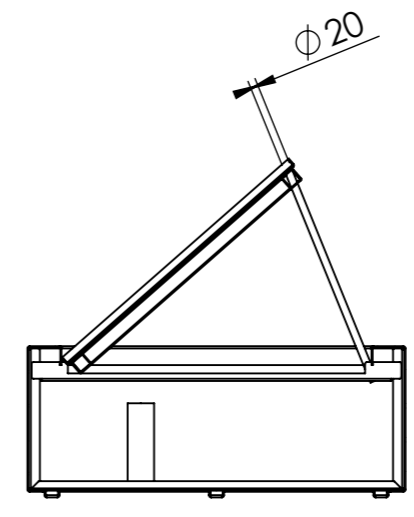
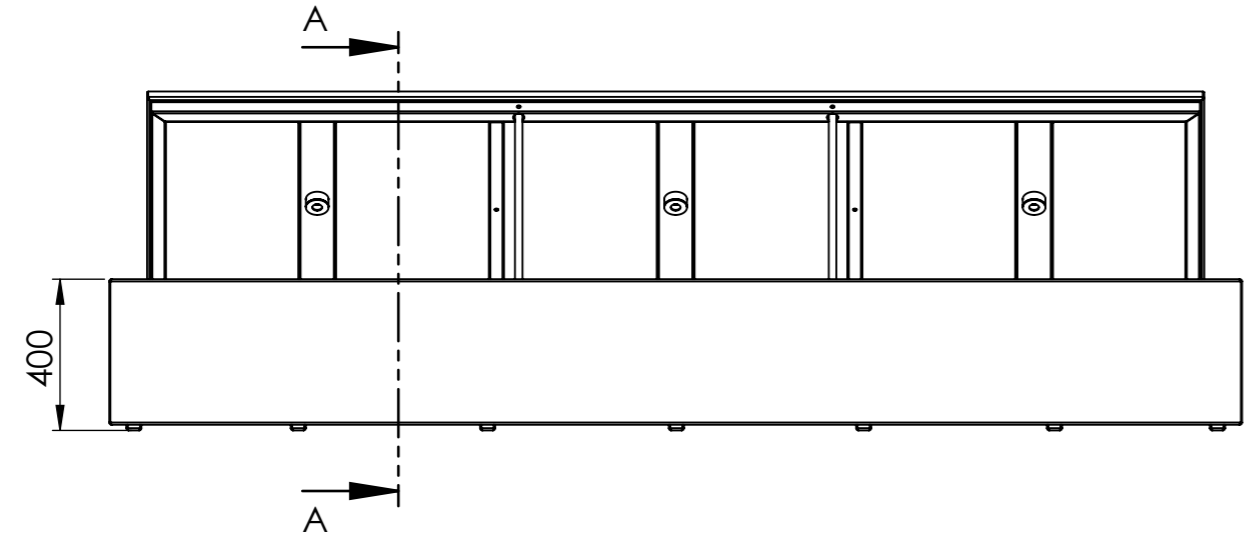
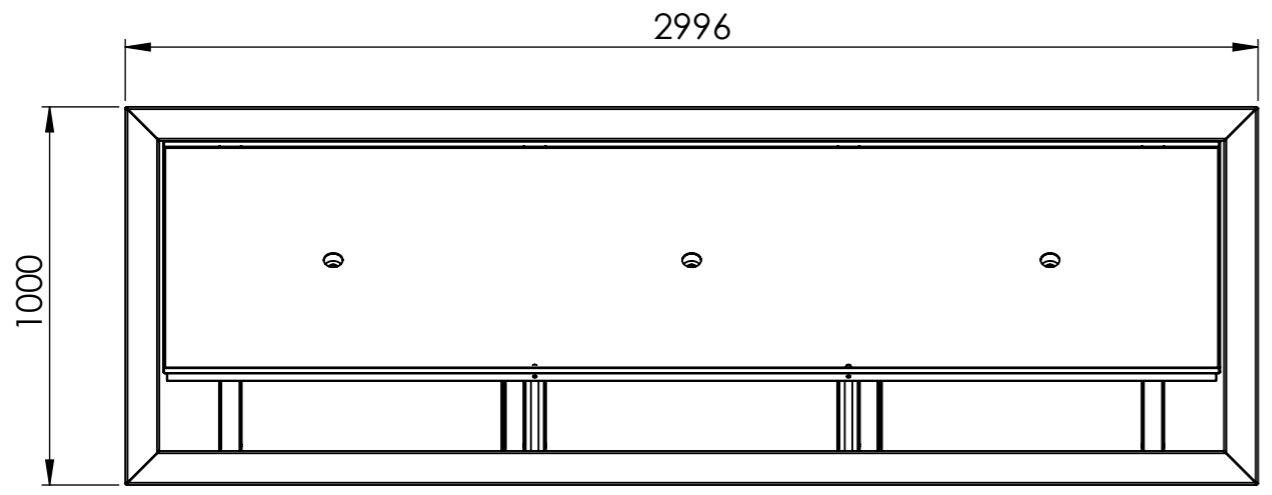
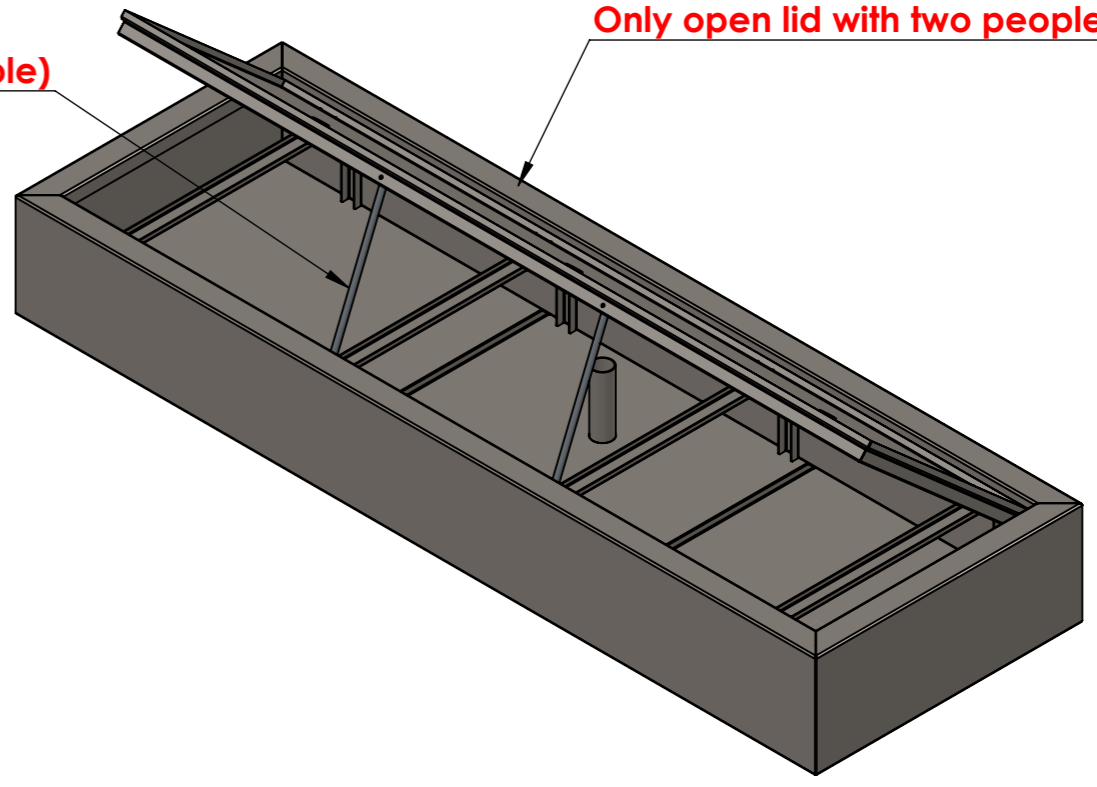


ITEM NO.	PART NUMBER	THICKNESS	DESCRIPTION	QTY.
1	AB4. Base	3 mm	Aluminum	1
2	-Cover and Cover frame	3mm	Aluminum	1

DRAWN	Luuk van den Heuvel	DATE	20-11-2020		TITLE:	AB4. 3000x1000x400	
REVISION					Drawing:	AB4. 3000x1000x400	A3
				Liessentstraat 4, 5405 AG Uden (NL). t 0031 (0)413 - 27 41 68. e info@adezz.com, i www.adezz.com		Color:	-
				Mass (kg):	97.96	SCALE:1:20	SHEET 1 OF 21

Only use supplied rods to support the lid
(store these rods well, outside the water table)

Only open lid with two people



SECTION A-A

DRAWN	Luuk van den Heuvel	DATE	20-11-2020		TITLE:	AB4. 3000x1000x400	
REVISION					Drawing:	AB4. 3000x1000x400	A3
				Liessentstraat 4, 5405 AG Uden (NL). † 0031 (0)413 - 27 41 68. e info@adezz.com, i www.adezz.com			
Color:	-	Mass (kg):	97.96	SCALE:1:20	SHEET 2 OF 21		