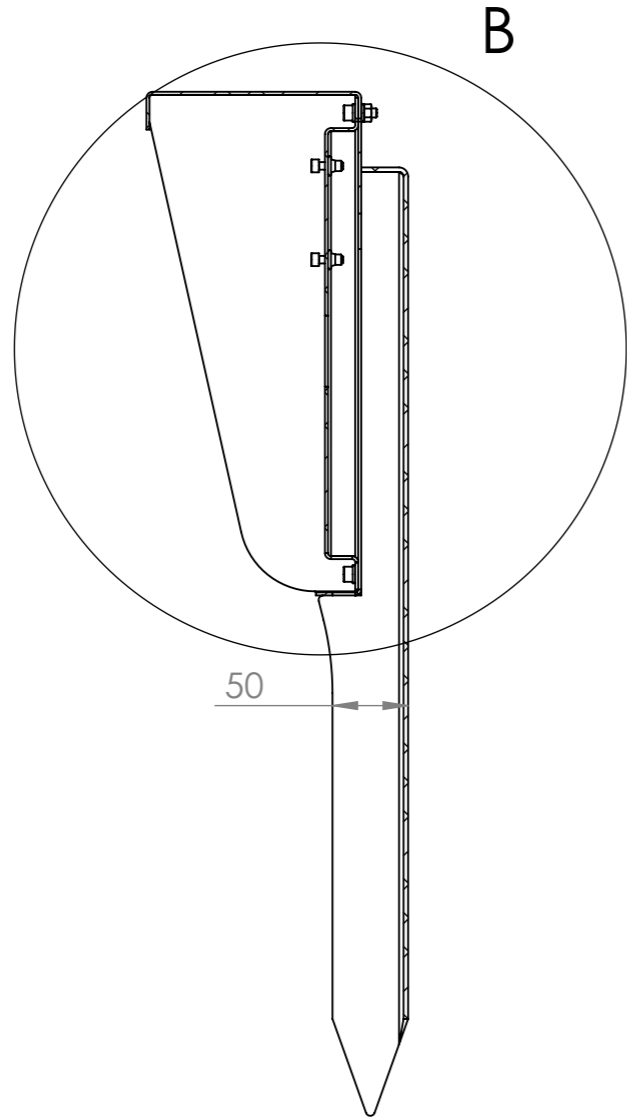
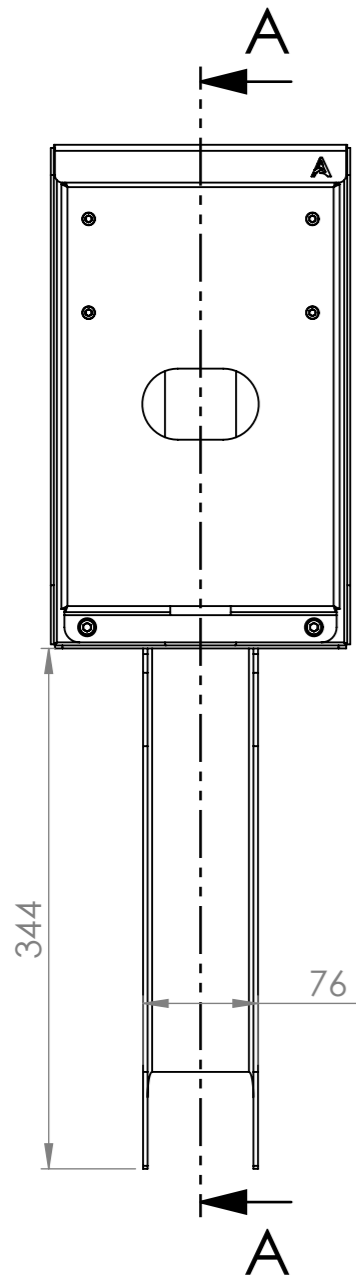
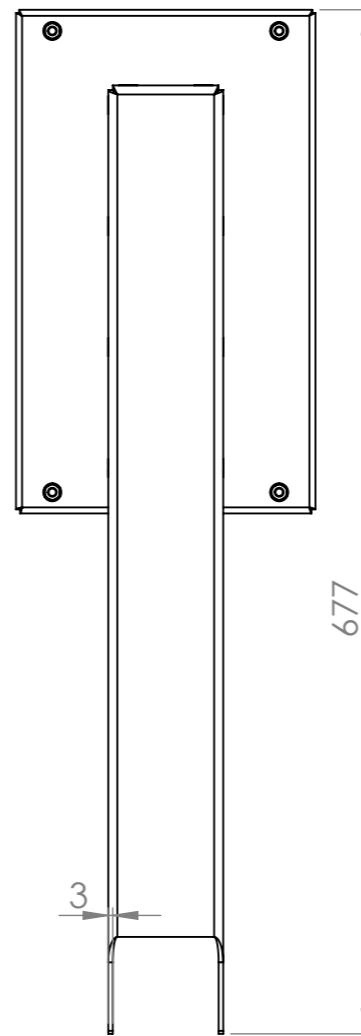


DETAIL B
SCALE 2 : 5



SECTION A-A



DRAWN	Luuk van den Heuvel	DATE	31-3-2026		TITLE:	ACOP1.	
REVISION					Drawing:	ACOP1	A3
		Liessentstraat 4, 5405 AG Uden (NL). † 0031 (0)413 - 27 41 68. e info@adezz.com, i www.adezz.com		Color:	-	Mass (kg):	1.97
					SCALE:1:5	SHEET 1 OF 7	