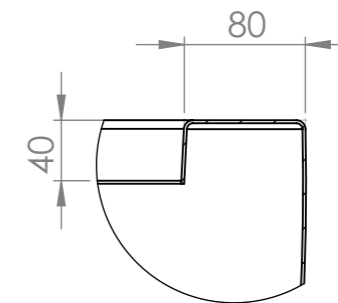
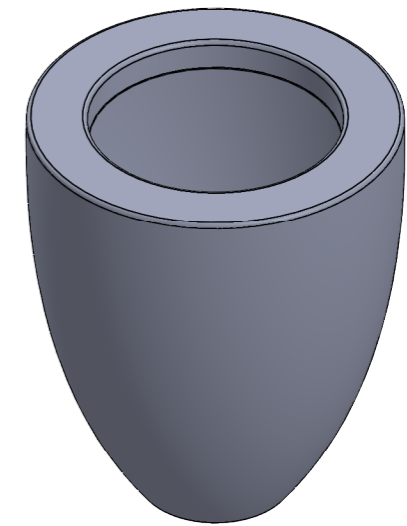


SECTION A-A



DETAIL B  
SCALE 1 : 5

DRAWN	M. Verhoeven	DATE	00-00-00		TITLE:	
REVISION					Fiberglass	
				Liessentstraat 4, 5405 AG Uden (NL). † 0031 (0)413 - 27 41 68. e info@adezz.com, i www.adezz.com	Drawing.	Canna PC1 500x590
Color:	-	Mass (kg):		SCALE:1:10	SHEET 1 OF 1	A3