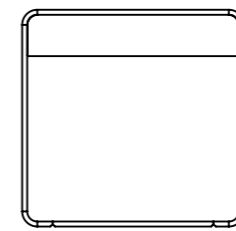
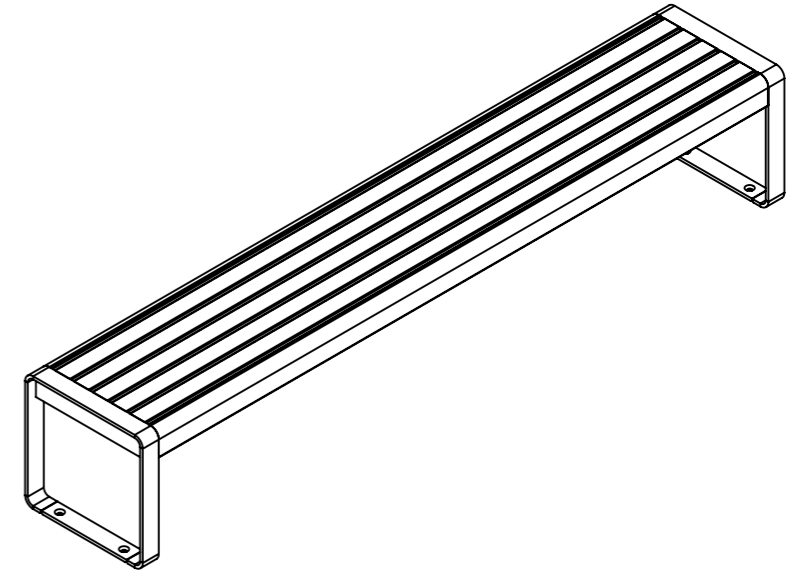
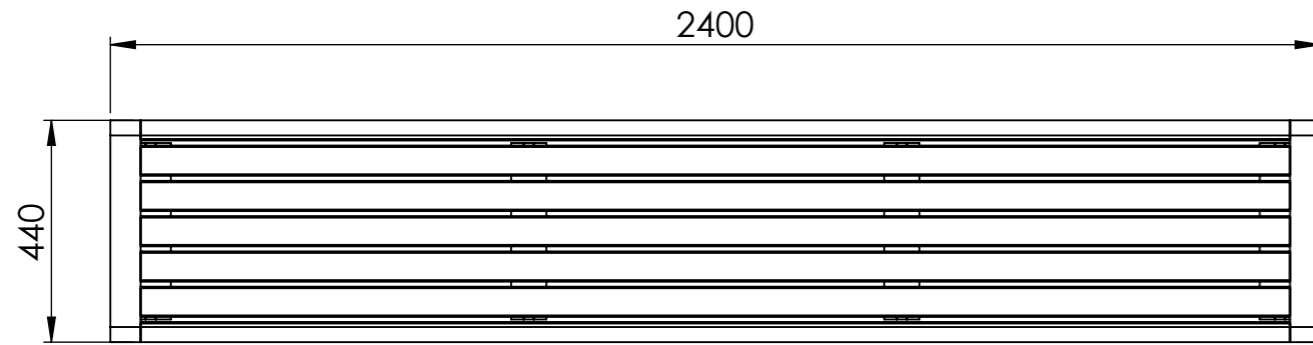


1 2 3 4 5 6 7 8

A
B
C
D
E
F

A
B
C
D
E
F



DRAWN	Sibren Nass	DATE	5-3-2020		TITLE:	STBE.2400	
REVISION					Drawing.	STBE.2400	A3
		Liessentstraat 4, 5405 AG Uden (NL). † 0031 (0)413 - 27 41 68. e info@furns.nl, † www.furns.nl		Color:	-	Mass(kg):	54.24
				SCALE:	1:15	SHEET 1 OF 3	