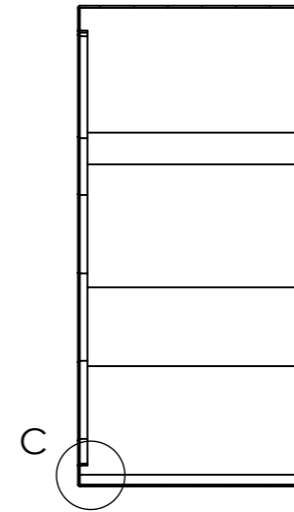
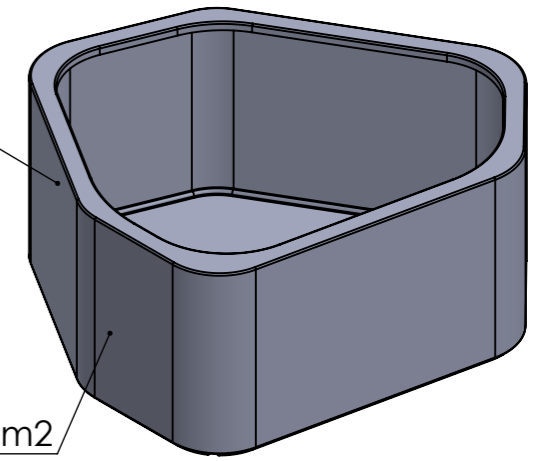


DETAIL C  
SCALE 1 : 5

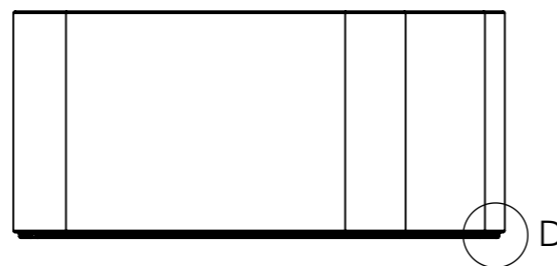
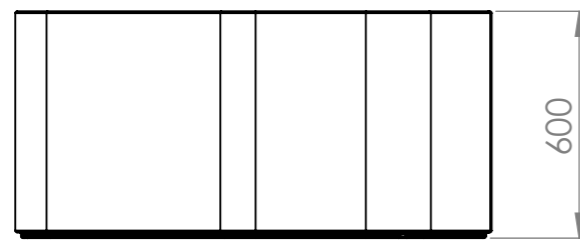


SECTION B-B

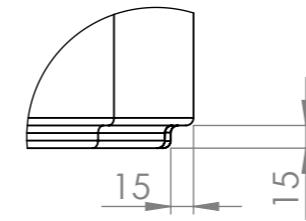
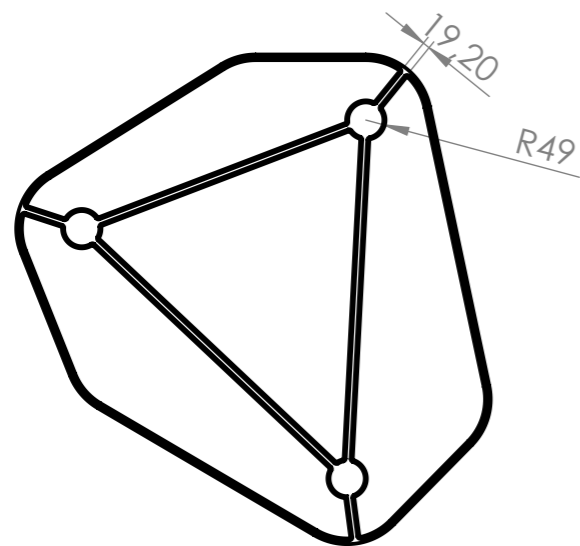
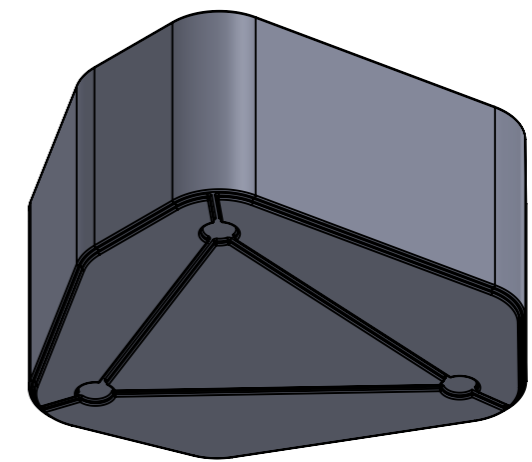
650 Liter



Ground surface 1,16 m2



D



DETAIL D  
SCALE 1 : 5

DRAWN	Benny Dijkhuis	DATE		TITLE:	Fibreglass	
REVISION				Drawing:	SHAPE PS01	A3
			Liessentstraat 4, 5405 AG Uden (NL). t 0031 (0)413 - 27 41 68. e info@adezz.com, i www.adezz.com		SCALE:1:20	SHEET 1 OF 2
Color:	-	Mass (kg):				