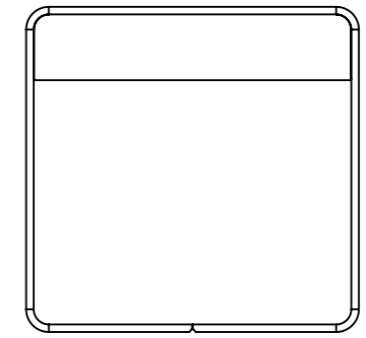
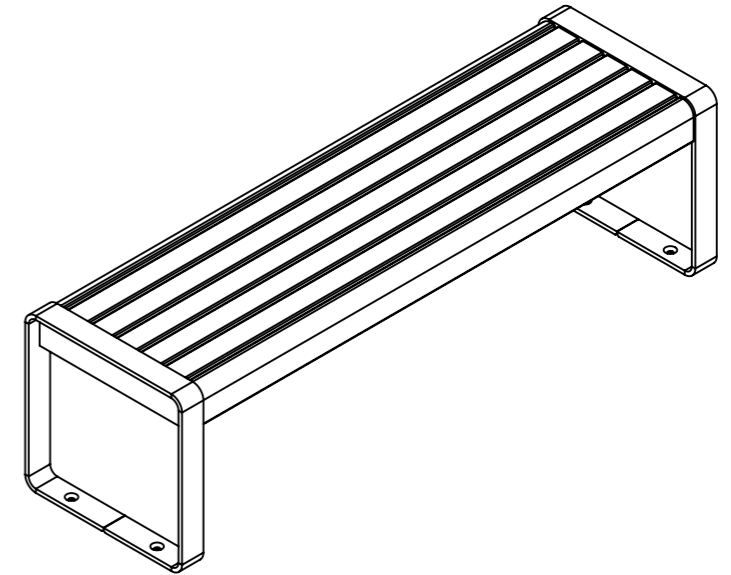
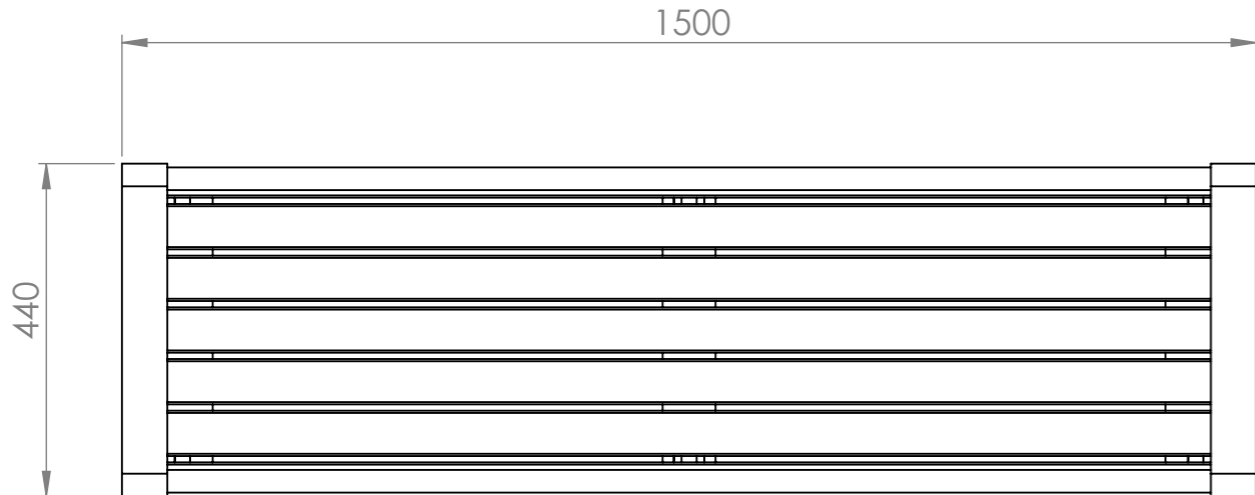




1 2 3 4 5 6 7 8

A
B
C
D
E
F



DRAWN	Sibren Nass	DATE		TITLE:	
REVISION	Juul Janssen	23-7-2024		STBE.1500	
			Liessentstraat 4, 5405 AG Uden (NL). † 0031 (0)413 - 27 41 68. e info@furns.nl, † www.furns.nl		Drawing.
Color: -			SCALE:1:10	STBE.1500	A3
			SHEET 1 OF 4		

1 2 3 4