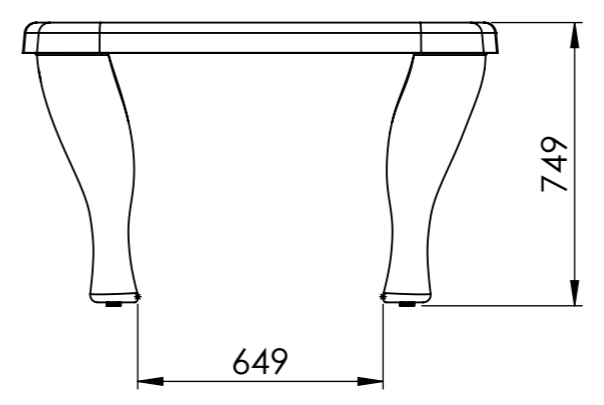
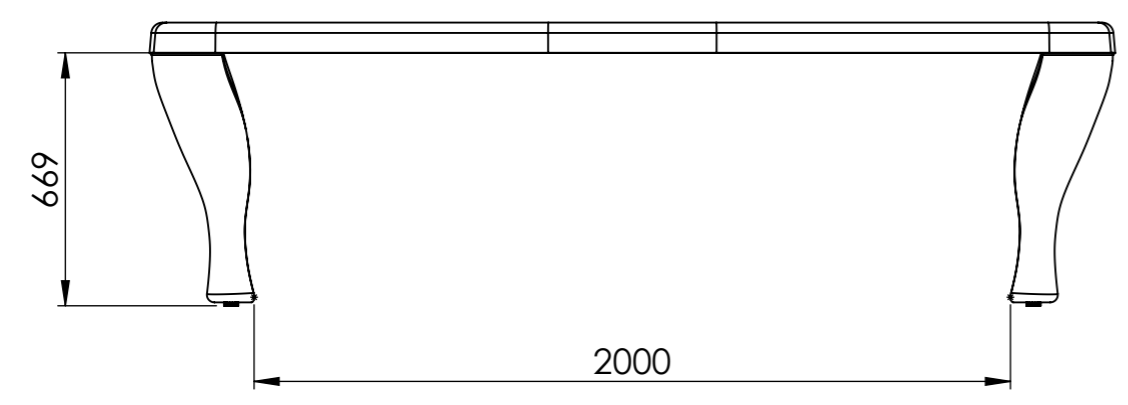
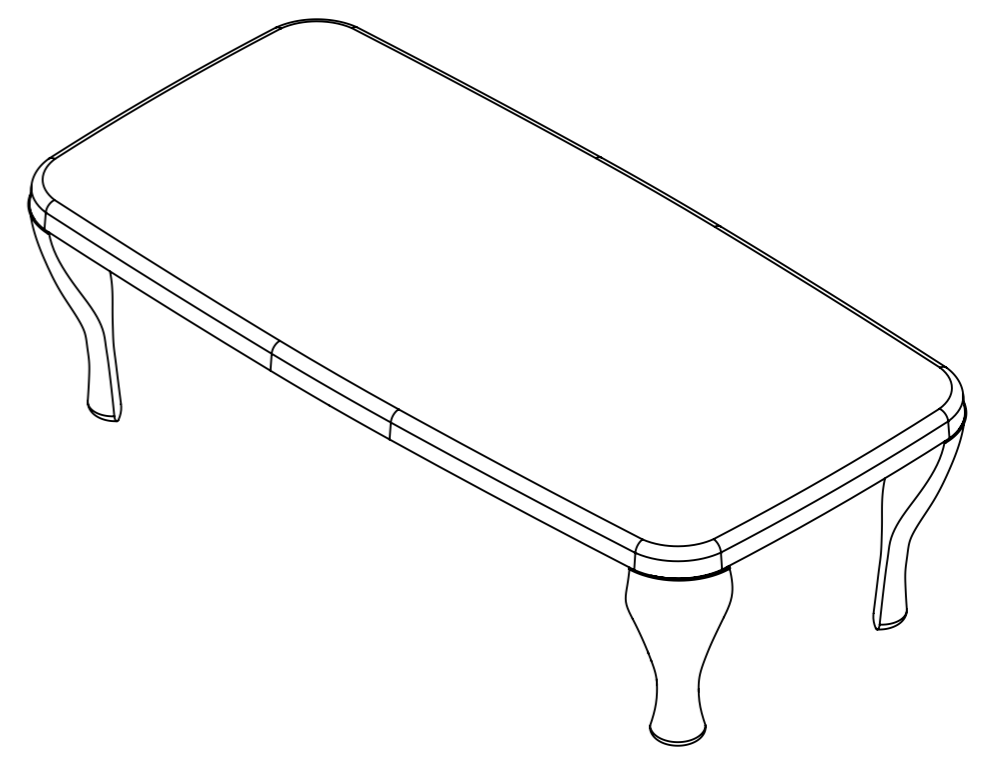
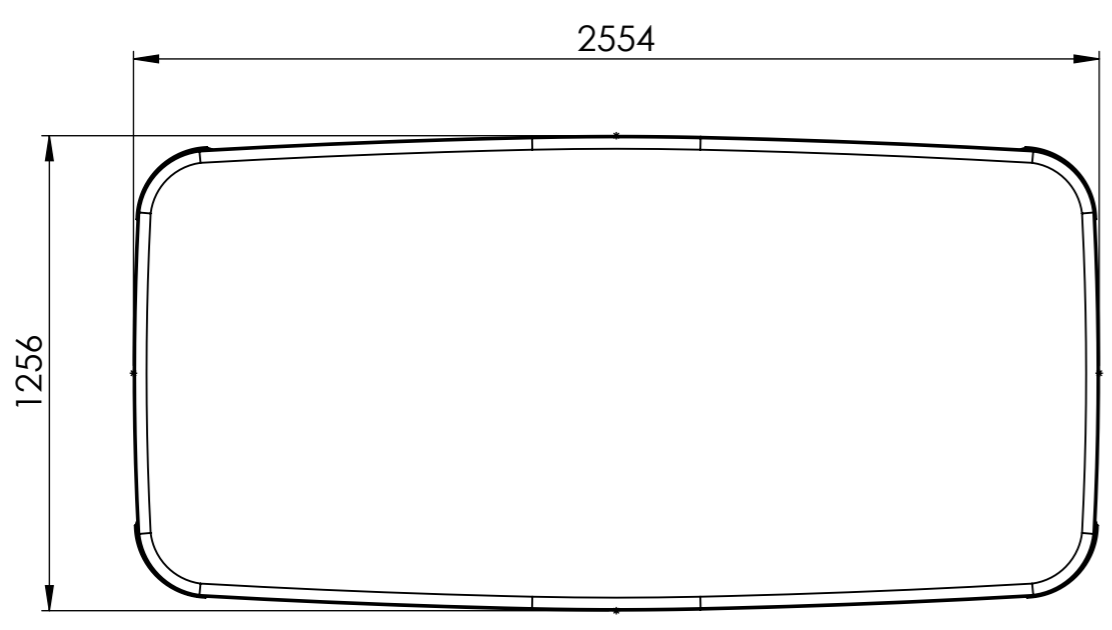


1 2 3 4 5 6 7 8

A
B
C
D
E
F



DRAWN	Pleuni Bongers	DATE	25-5-2020		TITLE:	TB250	
REVISION					Drawing:	TB250	A3
				Liessentstraat 4, 5405 AG Uden (NL). † 0031 (0)413 - 351 272. e info@onetosit.com, i www.onetosit.com	SCALE:1:20	SHEET 1 OF 1	
Color:	-	Mass (kg):					

1 2 3 4