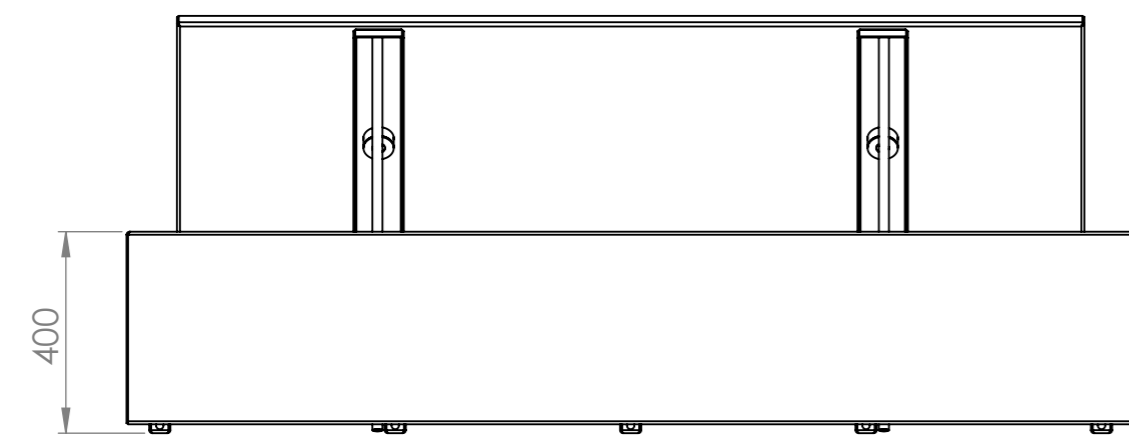
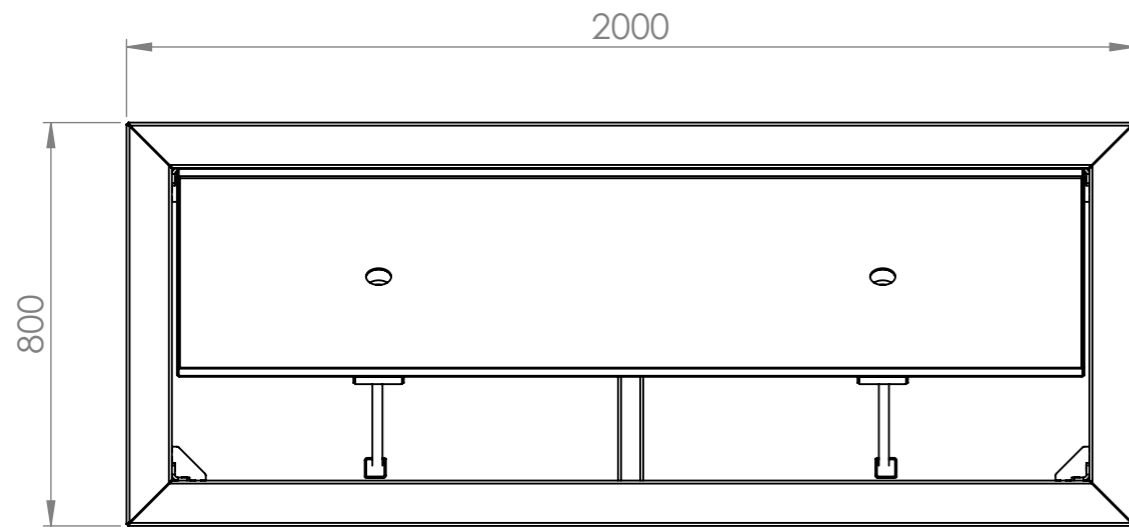


		DATE	
DRAWN	Luuk van den Heuvel	23-11-2020	
REVISION	Dorus Bannenberg	28-6-2023	

TITLE:	AB5.1 2000x800x400	
--------	--------------------	--

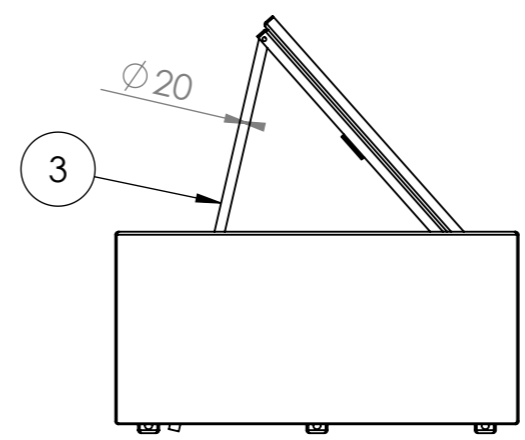
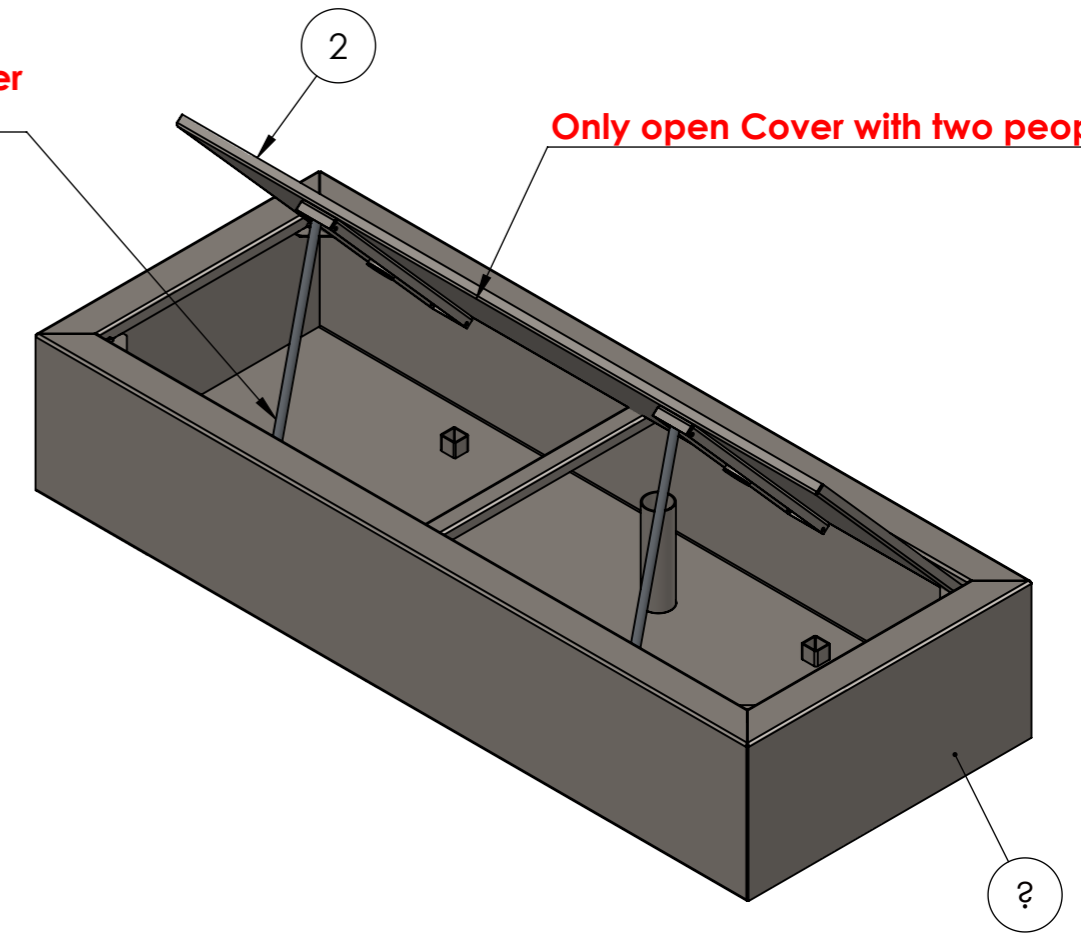
Liessentstraat 4, 5405 AG Uden (NL).
 † 0031 (0)413 - 27 41 68.
 e info@adezz.com, i www.adezz.com

Drawing:	AB5.1 2000x800x400	A3
----------	--------------------	----



Only use supplied support rods to support the cover
(store these rods well, outside the water table)

Only open Cover with two people



ITEM NO.	PART NUMBER	THICKNESS	DESCRIPTION	Open/QTY.
1	AB5.1 Base	3 mm	Aluminum	1
2	AB5.1 Cover	3 mm	Aluminum	1
3	AB5.1 Support 2		Adezz	2

DRAWN	Luuk van den Heuvel	DATE	23-11-2020
REVISION	Dorus Bannenberg	DATE	28-6-2023

TITLE:
AB5.1 2000x800x400

ADEZZ
DESIGN TO GROW

Liessentstraat 4, 5405 AG Uden (NL).
t 0031 (0)413 - 27 41 68.
e info@adezz.com, i www.adezz.com

Drawing:
AB5.1 2000x800x400