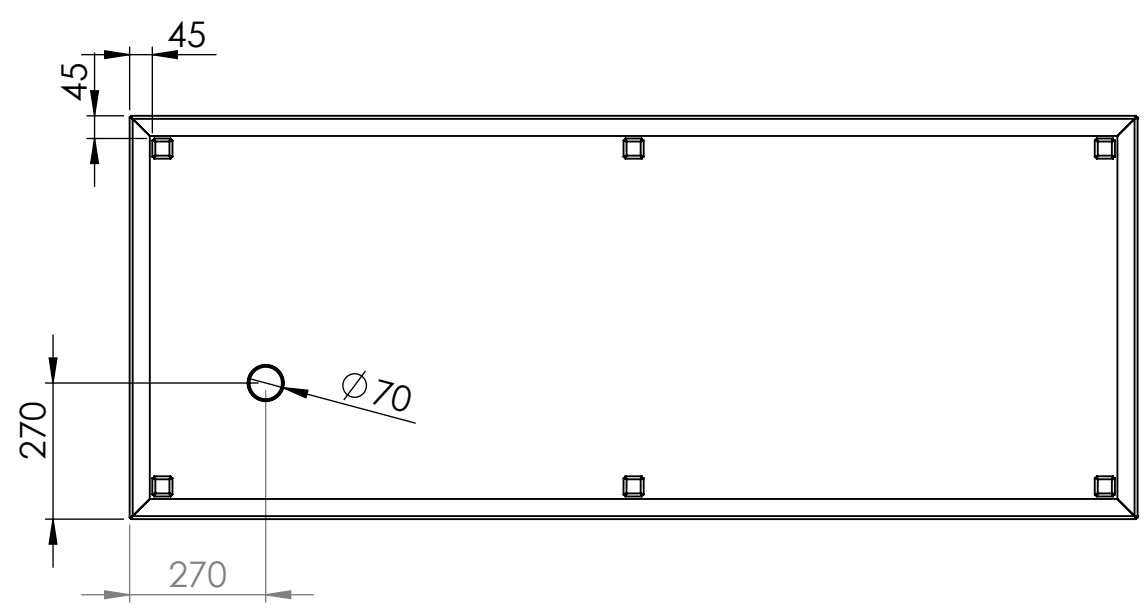


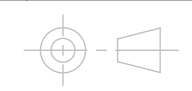
SECTION A-A

DETAIL A
SCALE 1 : 5



ITEM NO.	PART NUMBER	Thickness	DESCRIPTION	Default/QTY.
1	CB5 Base	3 mm	Corten	1
2	CB5 Cover	3 mm	Corten	1

DRAWN	Joris Koppens	DATE	10-10-2019
REVISION	Benny Dijkhuis	DATE	23-3-2020

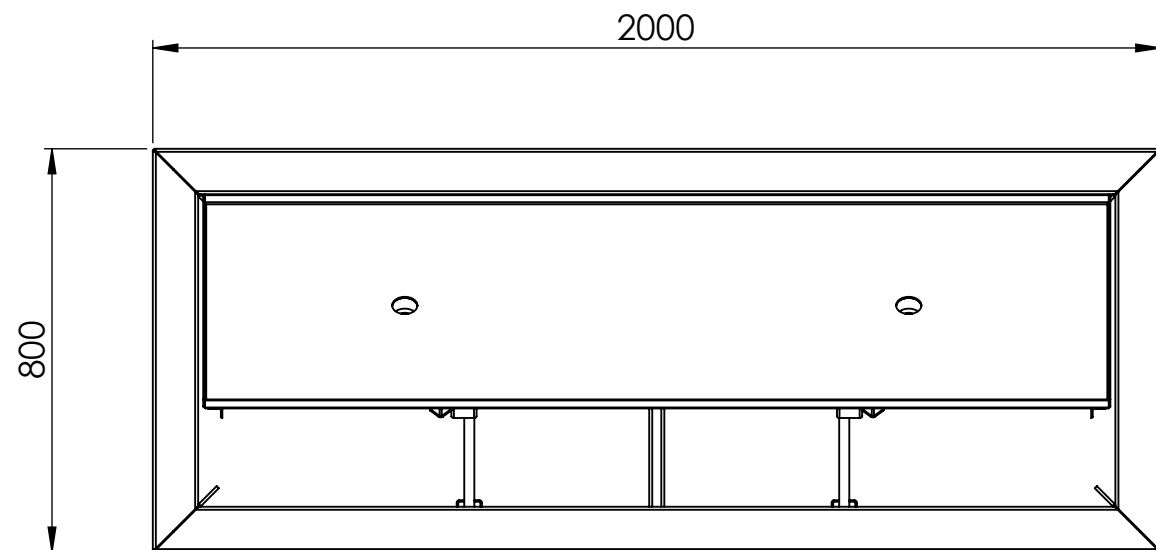


TITLE:
3mm Corten

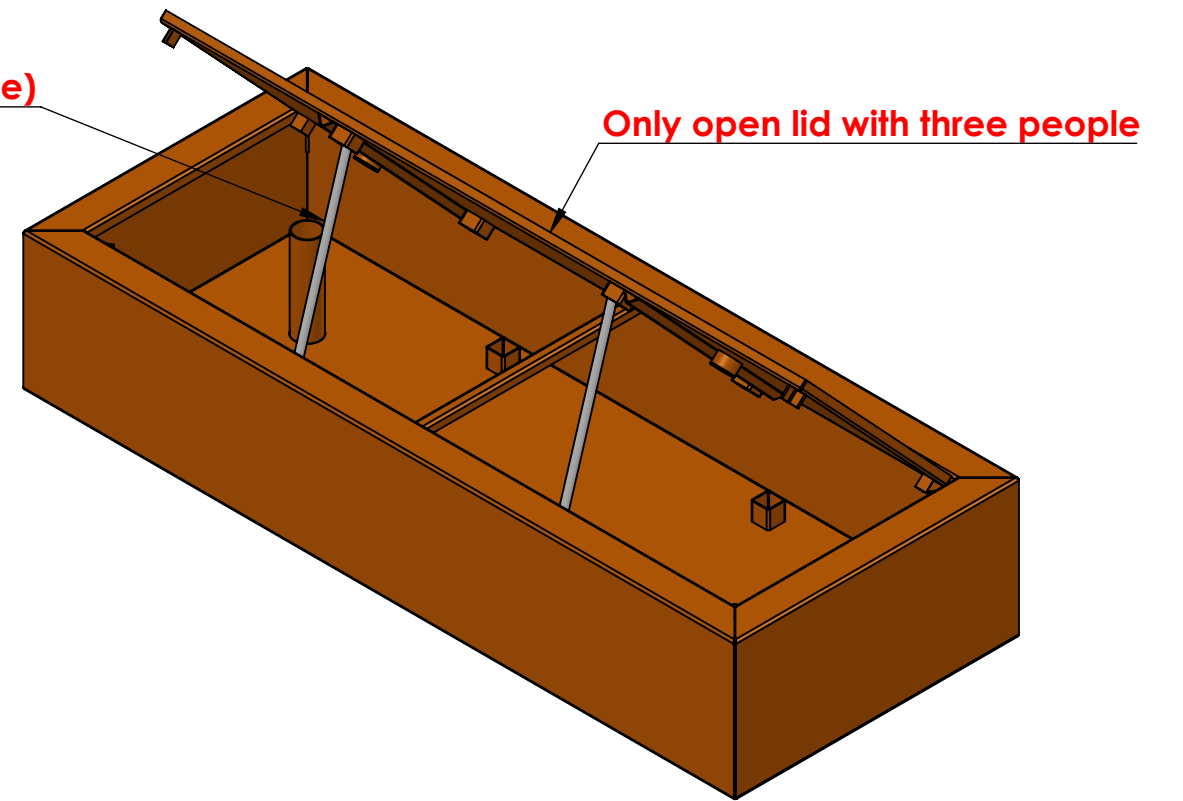


Liessentstraat 4, 5405 AG Uden (NL).
 † 0031 (0)413 - 27 41 68.
 e info@adezz.com, i www.adezz.com

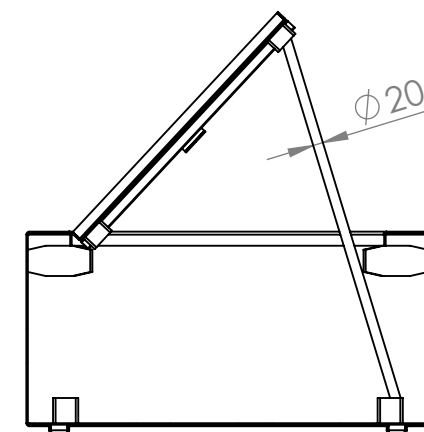
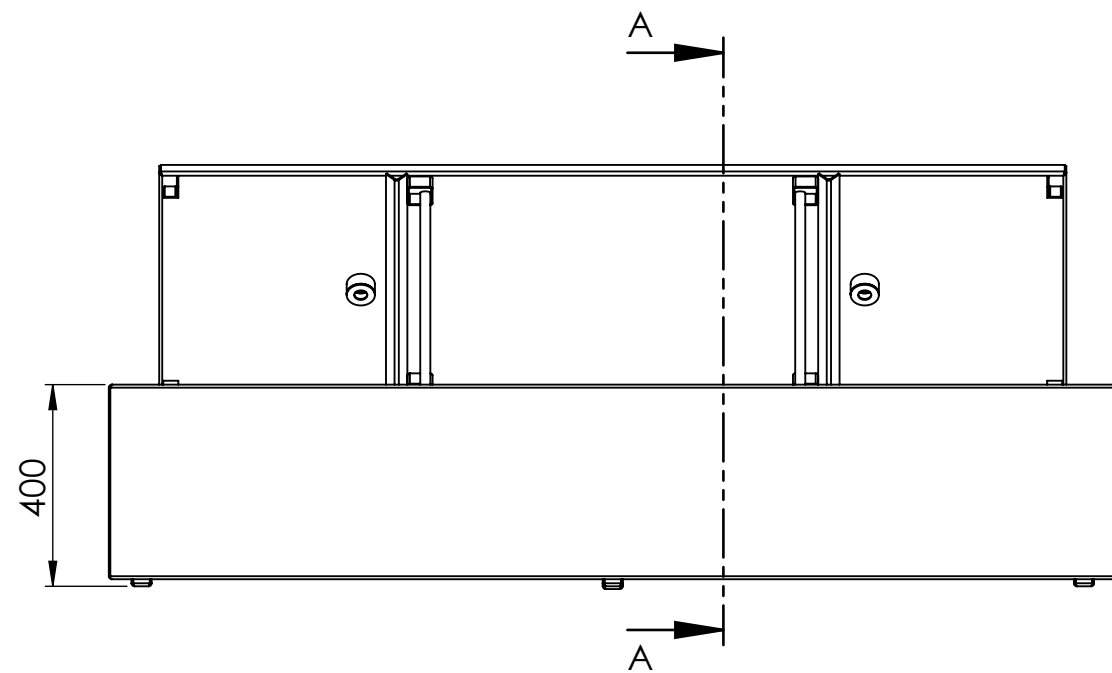
Drawing: **CB5 2000x800x400** A3



Only use supplied rods to support the lid
(store these rods well, outside the water table)



Only open lid with three people



SECTION A-A

DRAWN	Joris Koppens	DATE	10-10-2019		TITLE:	3mm Corten	
REVISION	Benny Dijkhuis		23-3-2020		Drawing:	CB5 2000x800x400	A3
		Liessentstraat 4, 5405 AG Uden (NL). † 0031 (0)413 - 27 41 68. e info@adezz.com, i www.adezz.com		Color:	-	Mass (kg):	138.31
				SCALE:1:15	SHEET 2 OF 19		