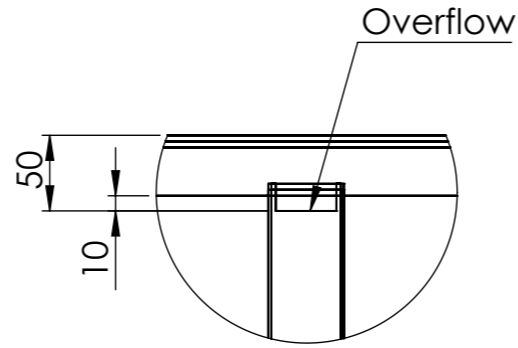
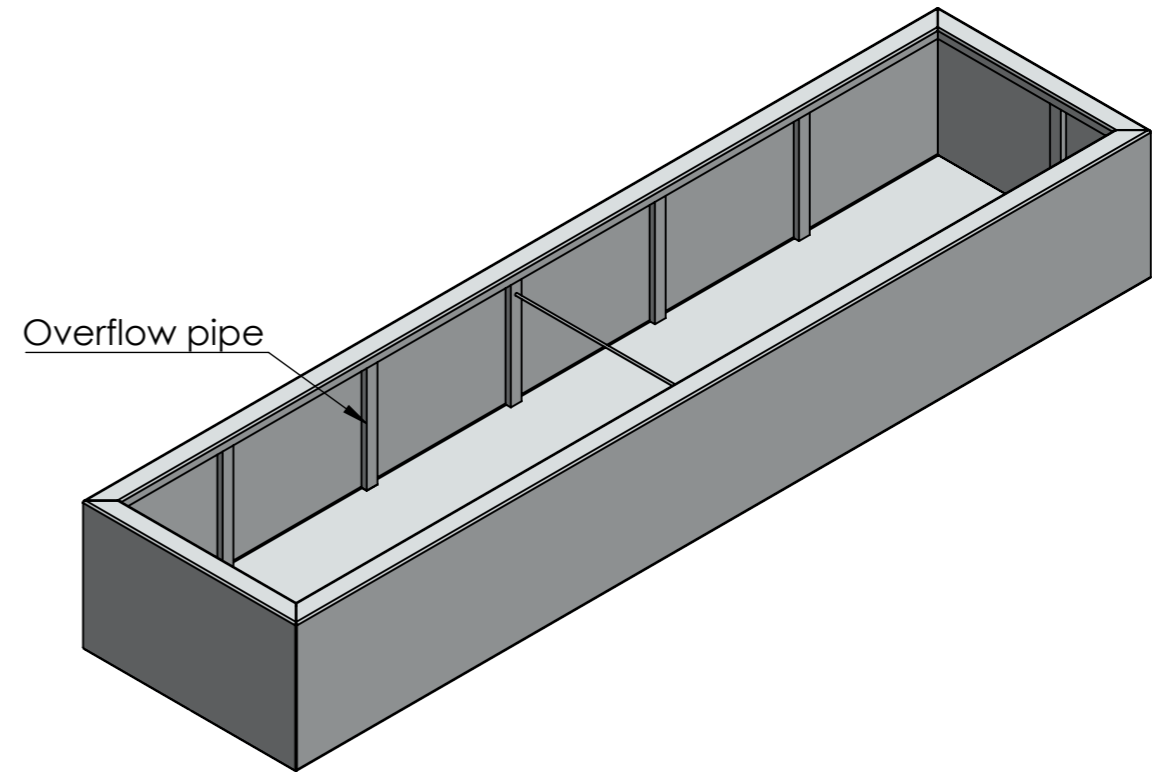


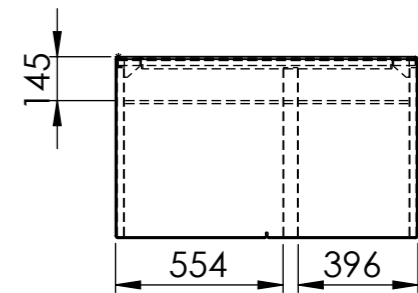
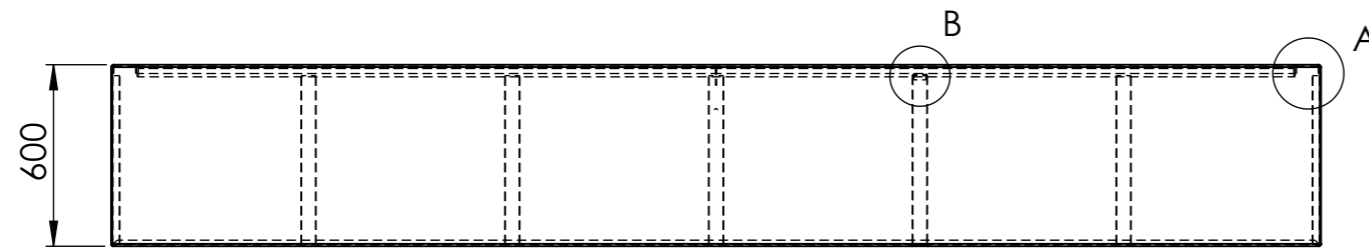
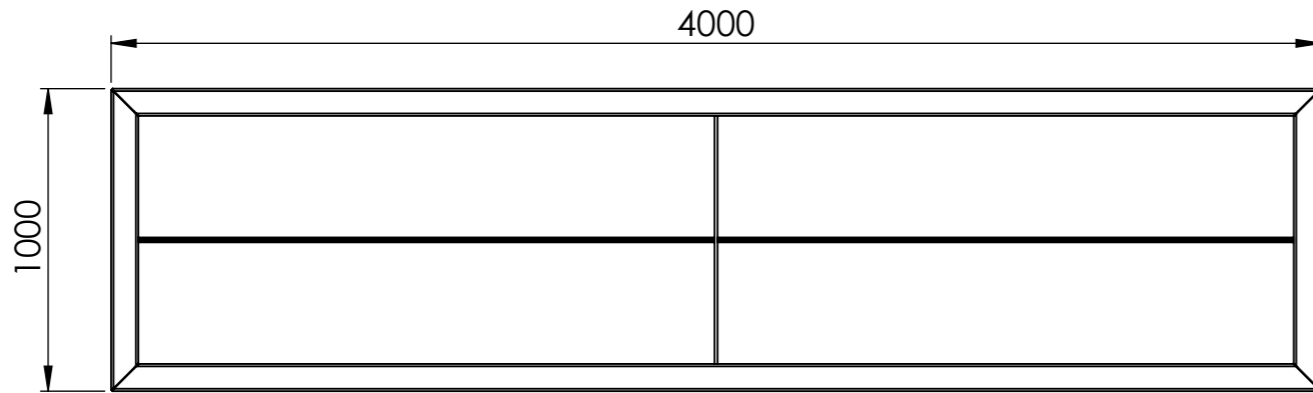
DETAIL A
SCALE 1 : 5



DETAIL B
SCALE 1 : 5



Overflow pipe



| | | | | | | | | |
|----------|---------------------|------------|----------|--|---------------|----------|-----|----|
| DRAWN | Luuk van den Heuvel | DATE | 5-5-2026 | | TITLE: | | | |
| REVISION | | | | | 4mm Aluminum | | | |
| | | | | Liessentstraat 4, 5405 AG Uden (NL). † 0031 (0)413 - 27 41 68. e info@adezz.com, i www.adezz.com | | Drawing: | VA3 | A3 |
| Color: | - | Mass (kg): | 137.72 | SCALE:1:25 | SHEET 1 OF 13 | | | |