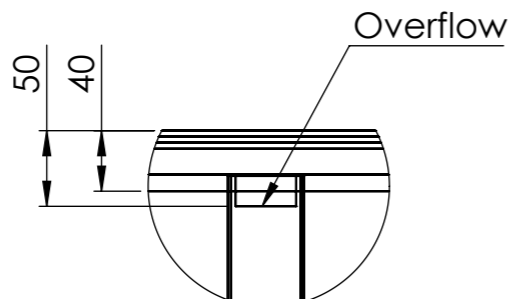
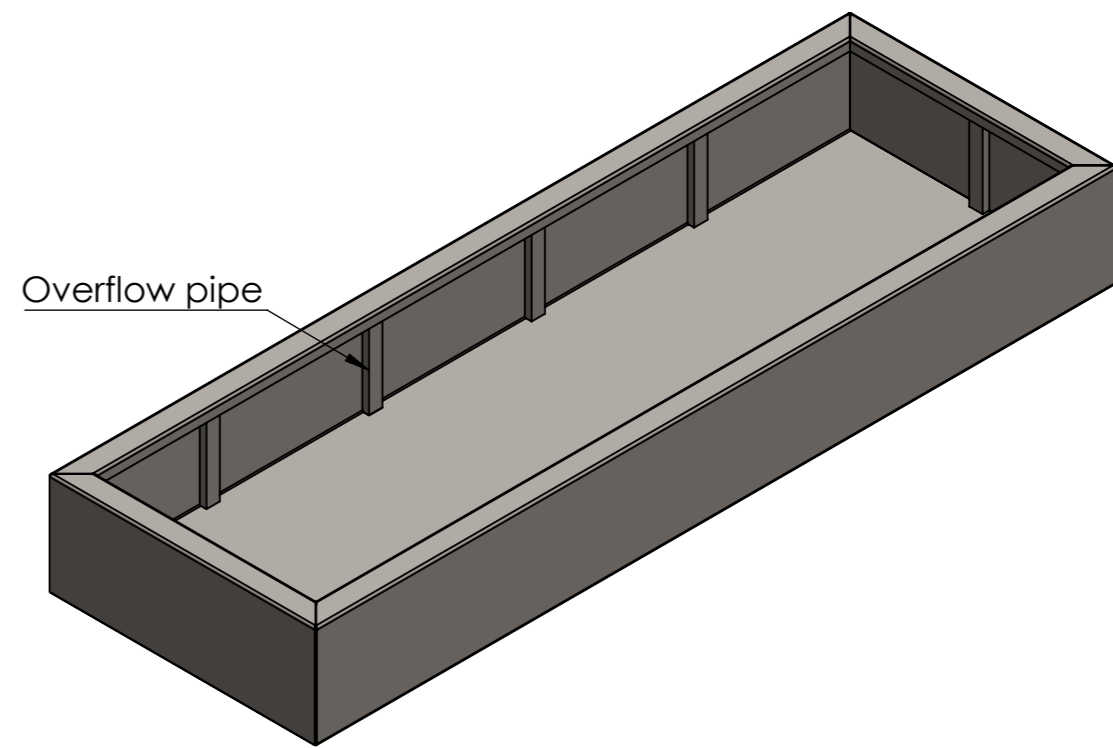


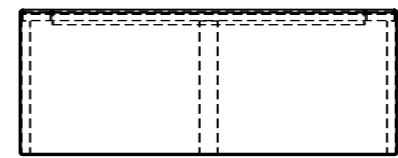
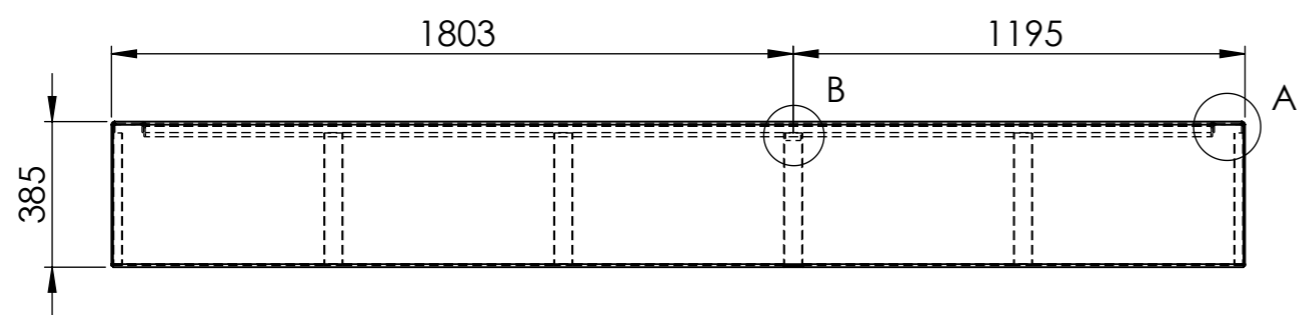
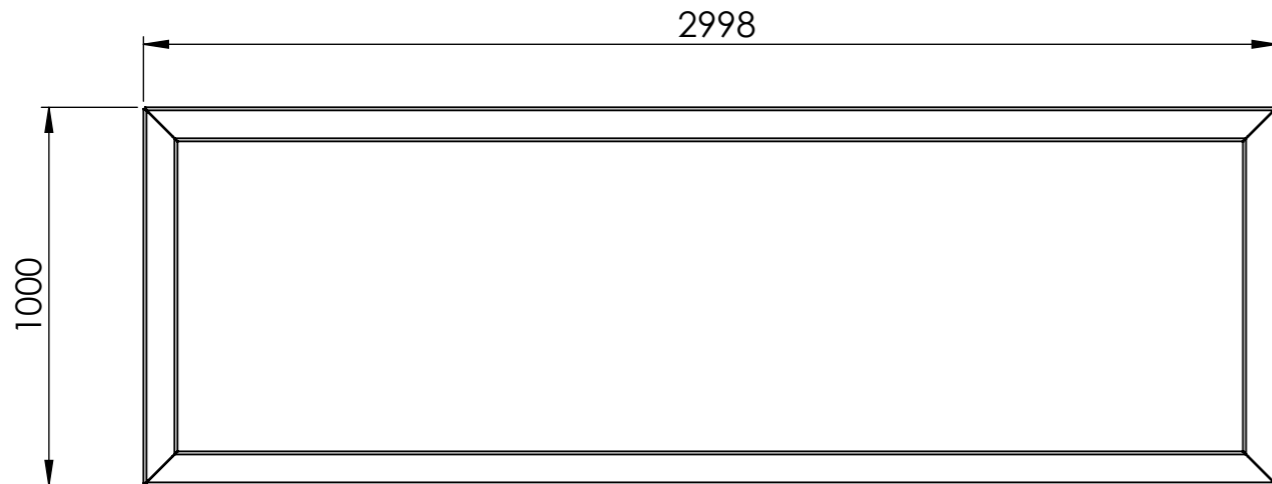
DETAIL A
SCALE 1 : 5



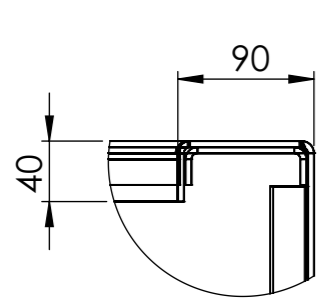
DETAIL B
SCALE 1 : 5



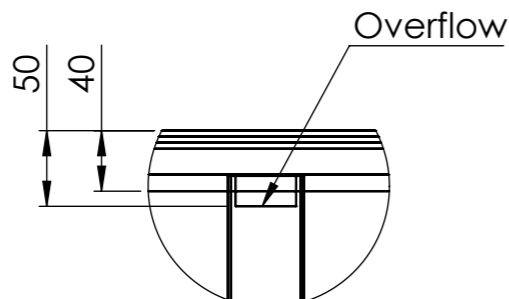
Overflow pipe



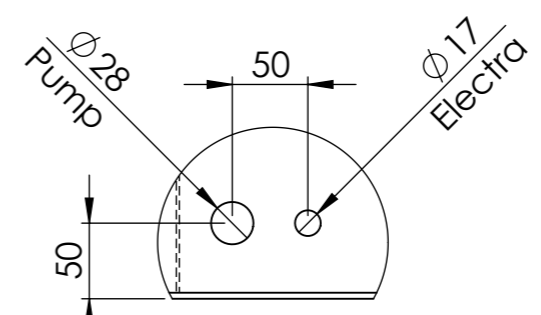
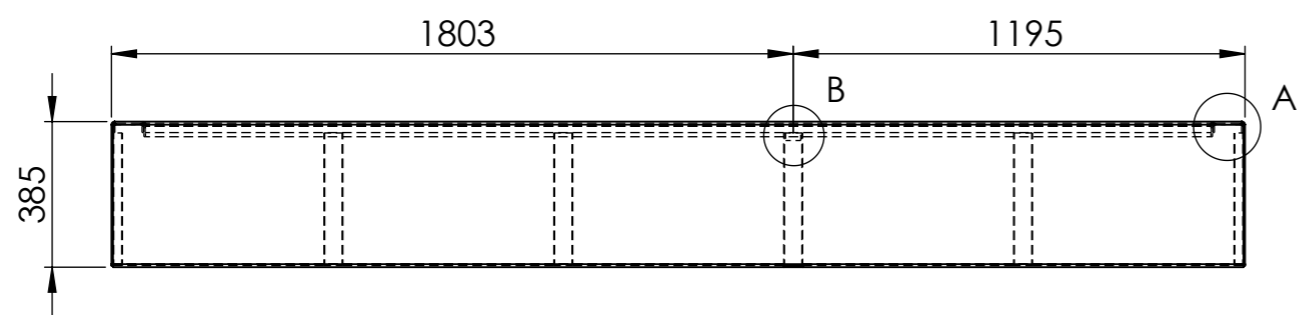
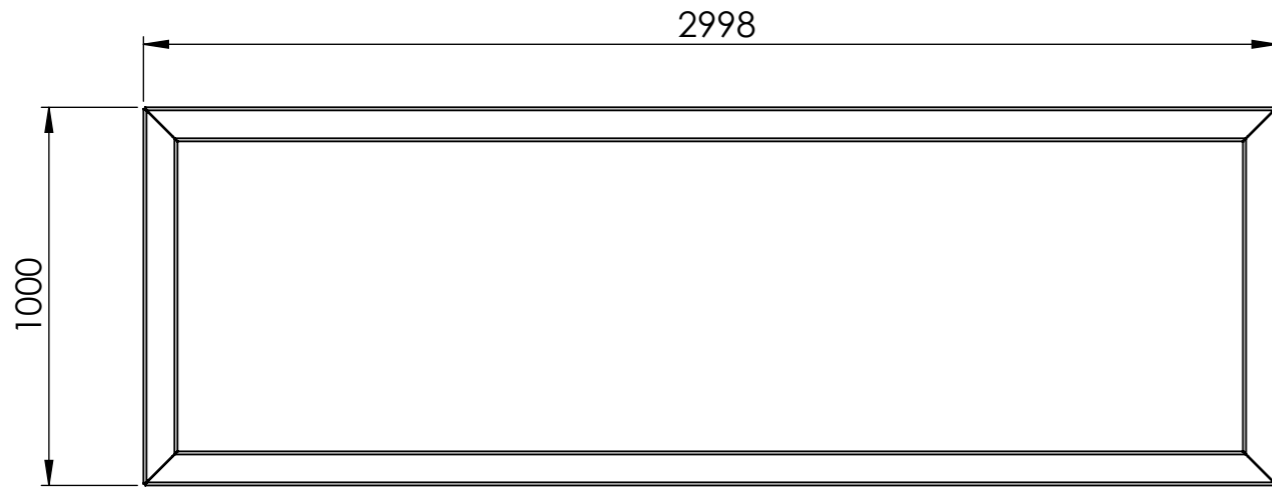
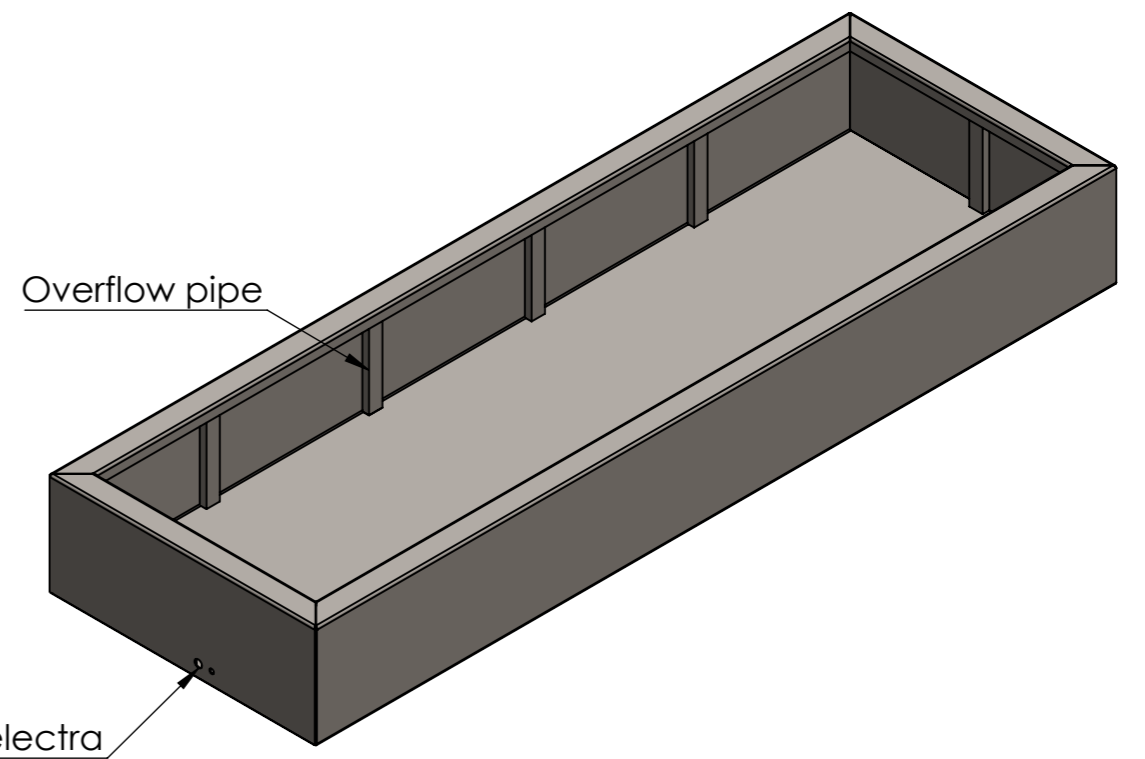
DRAWN	Luuk van den Heuvel	DATE	23-5-2023		TITLE:	Aluminum 4mm	
REVISION					Drawing:	VA6.1	A3
		Liessentstraat 4, 5405 AG Uden (NL). † 0031 (0)413 - 27 41 68. e info@adezz.com, i www.adezz.com			Color:	-	Mass (kg): 86.66
				SCALE:1:20	SHEET 1 OF 10		



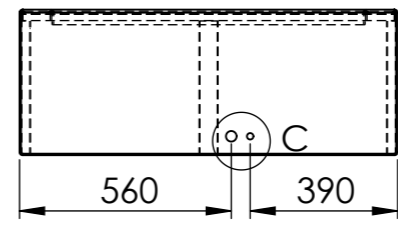
DETAIL A
SCALE 1 : 5



DETAIL B
SCALE 1 : 5



DETAIL C
SCALE 1 : 5



DRAWN	Luuk van den Heuvel	DATE	23-5-2023	
REVISION				

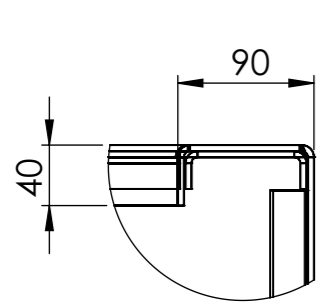
TITLE: Aluminum 4mm

ADEZZ
DESIGN TO GROW

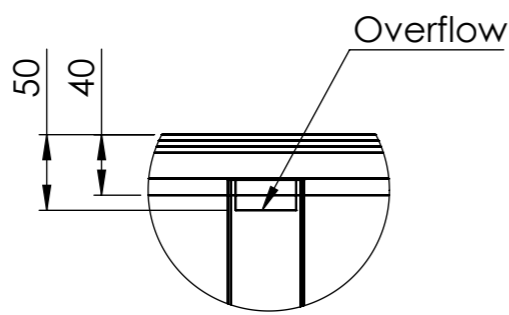
Liessentstraat 4, 5405 AG Uden (NL).
 † 0031 (0)413 - 27 41 68.
 e info@adezz.com, i www.adezz.com

Drawing: VA6.1

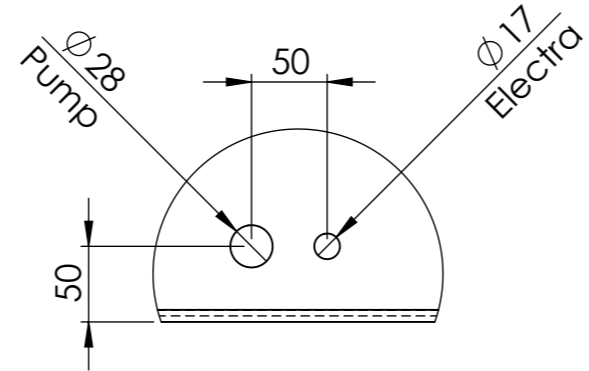
A3



DETAIL A
SCALE 1 : 5



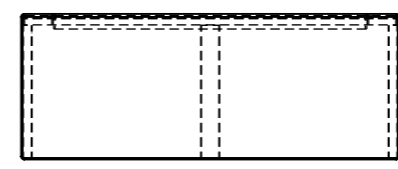
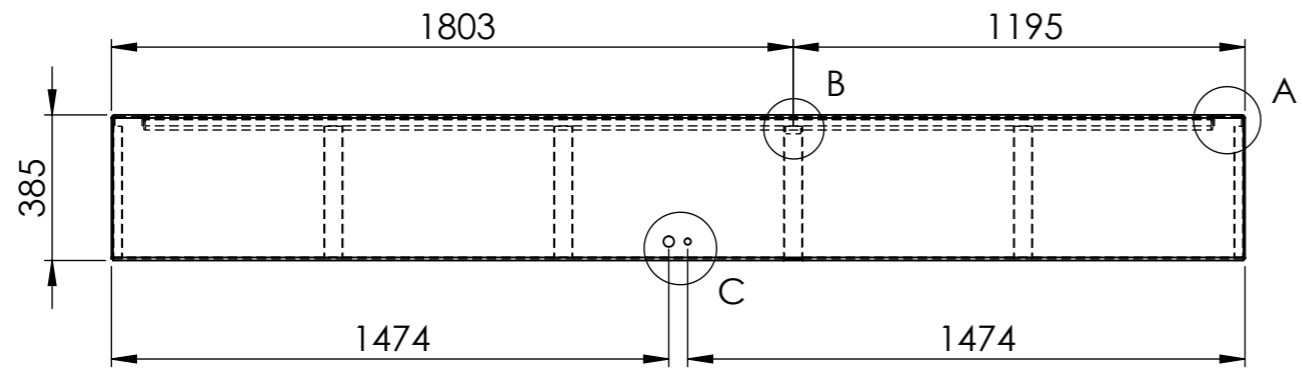
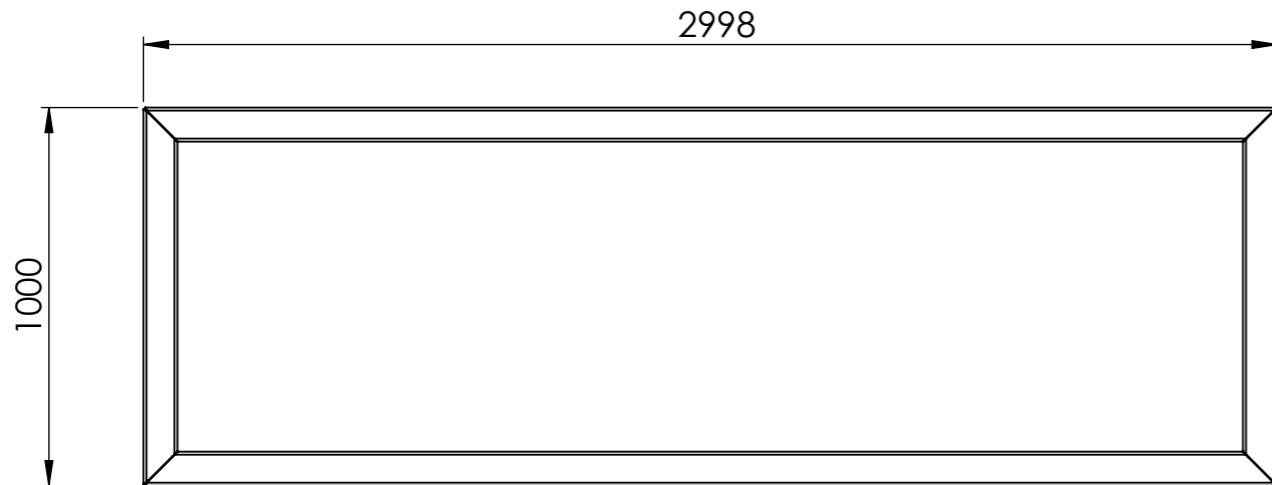
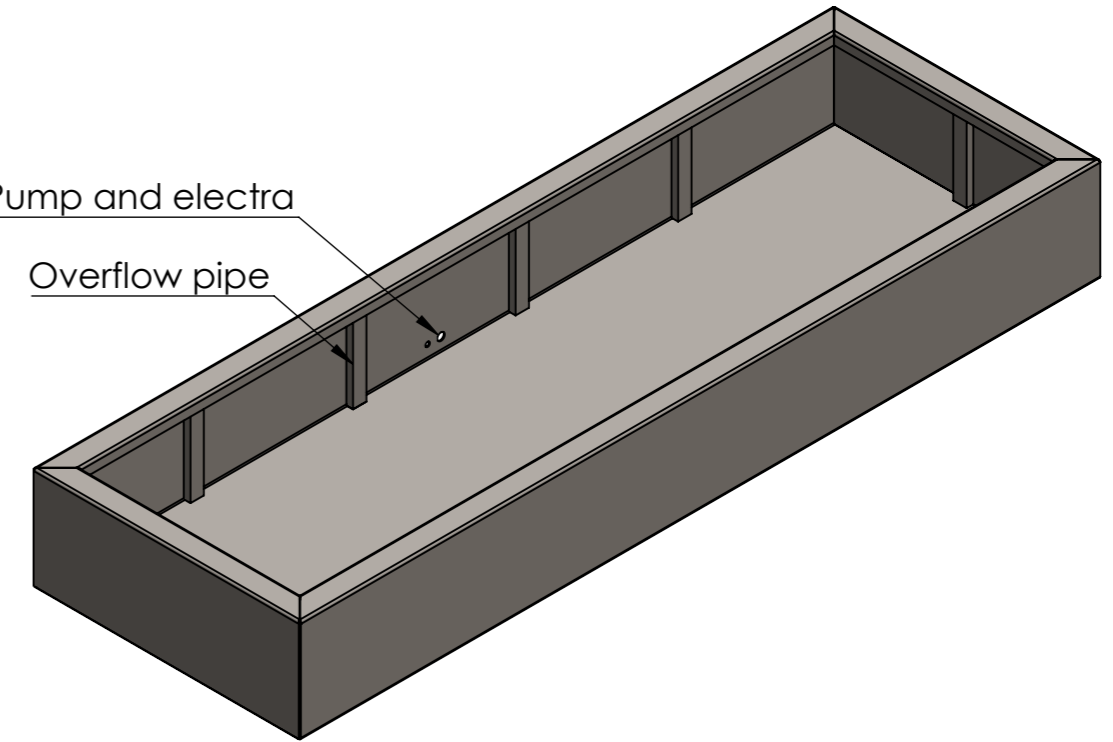
DETAIL B
SCALE 1 : 5



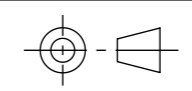
DETAIL C
SCALE 1 : 5

Pump and electra

Overflow pipe



DRAWN	Luuk van den Heuvel	DATE	23-5-2023
REVISION			



TITLE: Aluminum 4mm

ADEZZ
DESIGN TO GROW

Liessentstraat 4, 5405 AG Uden (NL).
t 0031 (0)413 - 27 41 68.
e info@adezz.com, i www.adezz.com

Drawing: VA6.1

A3

Color: - Mass (kg): **86.63** SCALE:1:20 SHEET 1 OF 10