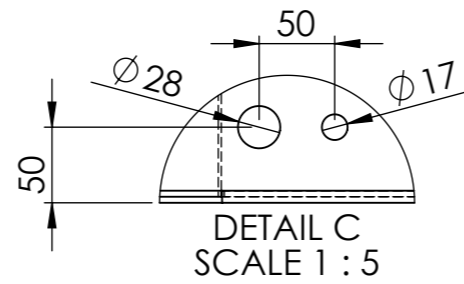
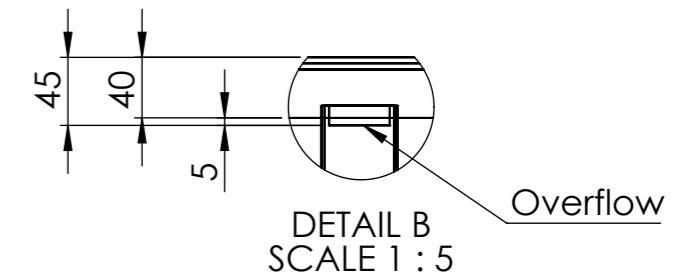
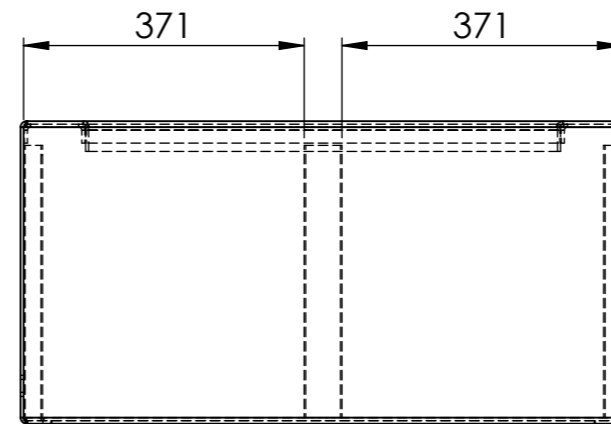
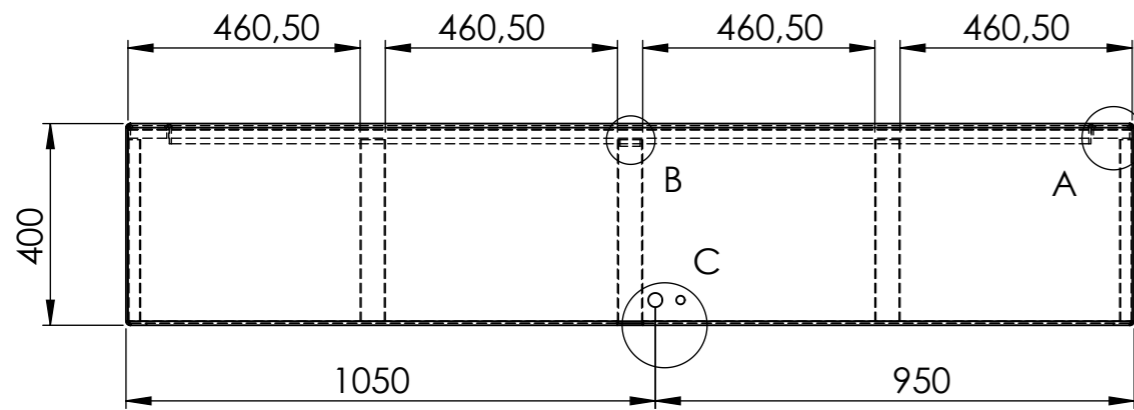
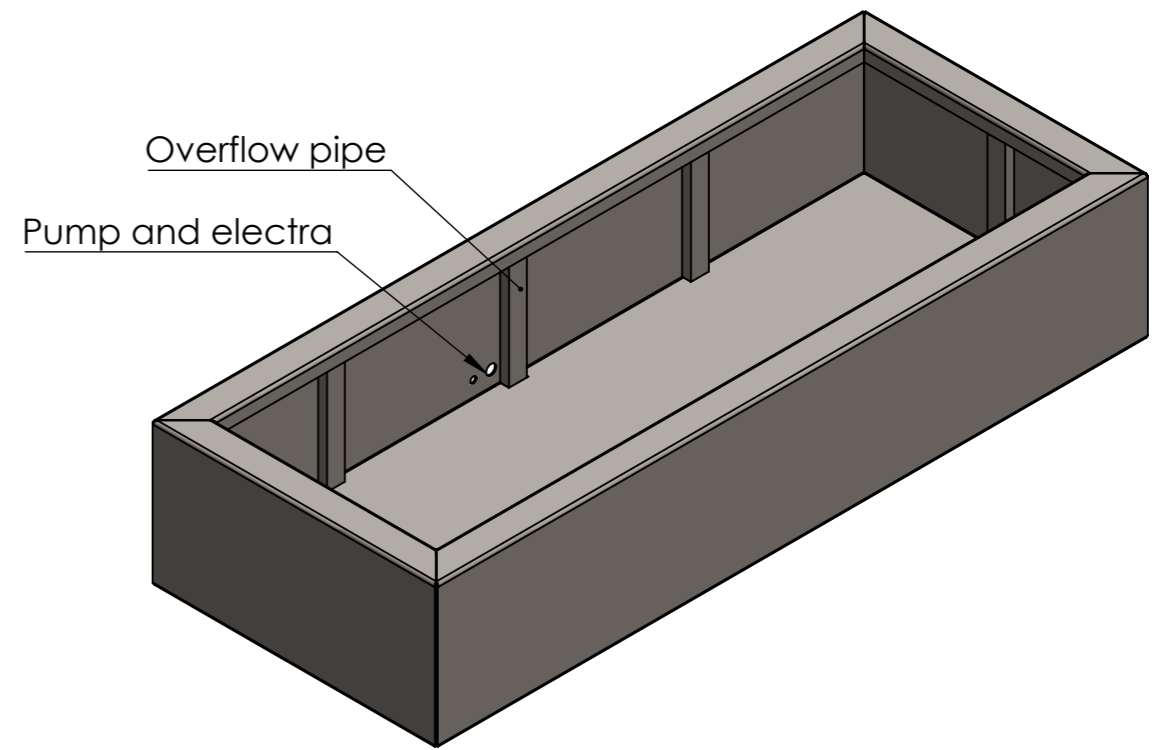


DETAIL A
SCALE 1 : 5



**Overflow pipe and holes for pump and electra placement on request!
Approval drawings will be made and send accordingly.**

DRAWN	Luuk van den Heuvel	DATE	15-1-2020		TITLE:	4mm Aluminium	
REVISION					Drawing:	VA9.1_SLDDRW	A3
WE PRODUCE GARDEN PRODUCTS FOR PROFESSIONALS Liessentstraat 4, 5405 AG Uden (NL). †0031 (0)413 - 27 41 68. e info@adezz.com, i www.adezz.com							
Color:	-	Mass (kg):	58.02	SCALE:1:15	SHEET 1 OF 11		