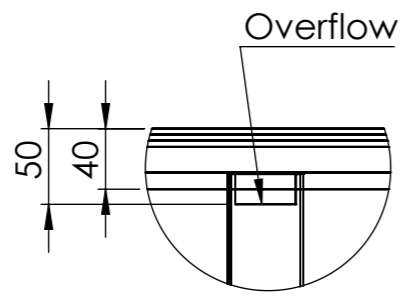
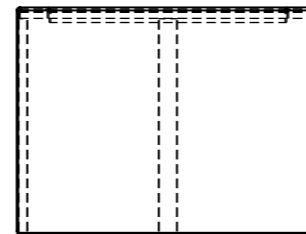
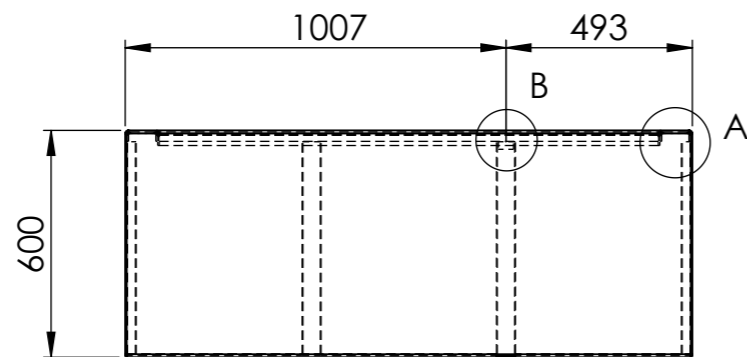
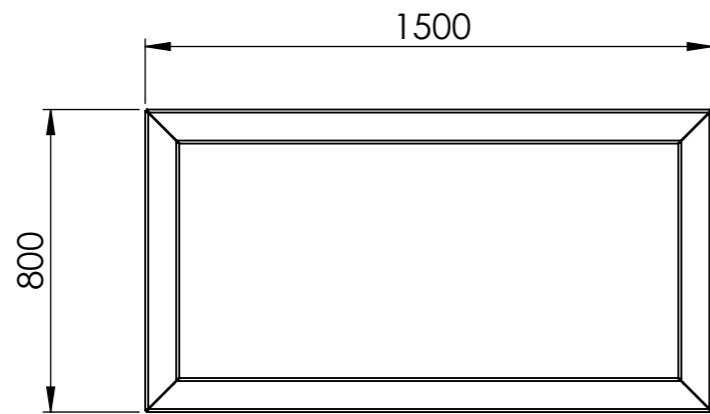
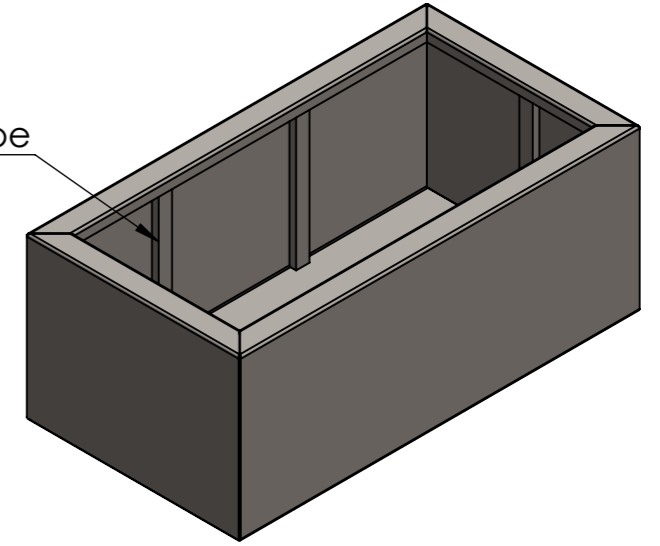


DETAIL A  
SCALE 1 : 5



DETAIL B  
SCALE 1 : 5

Overflow pipe



DRAWN	Luuk van den Heuvel	DATE	23-5-2023		TITLE:	Aluminum 4mm	
REVISION					Drawing:	VA10	A3
		Liessentstraat 4, 5405 AG Uden (NL). † 0031 (0)413 - 27 41 68. e info@adezz.com, i www.adezz.com		Color:	-	Mass (kg):	<b>55.32</b>
				SCALE:1:20	SHEET 1 OF 10		