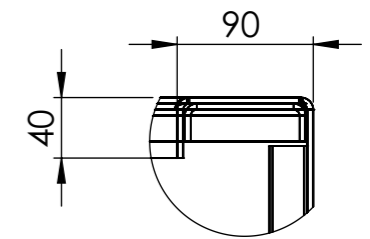
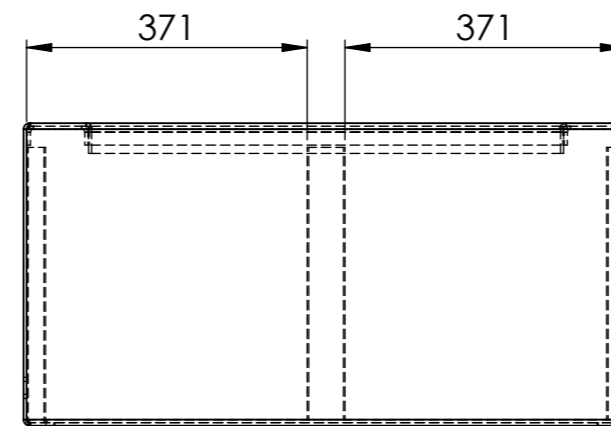
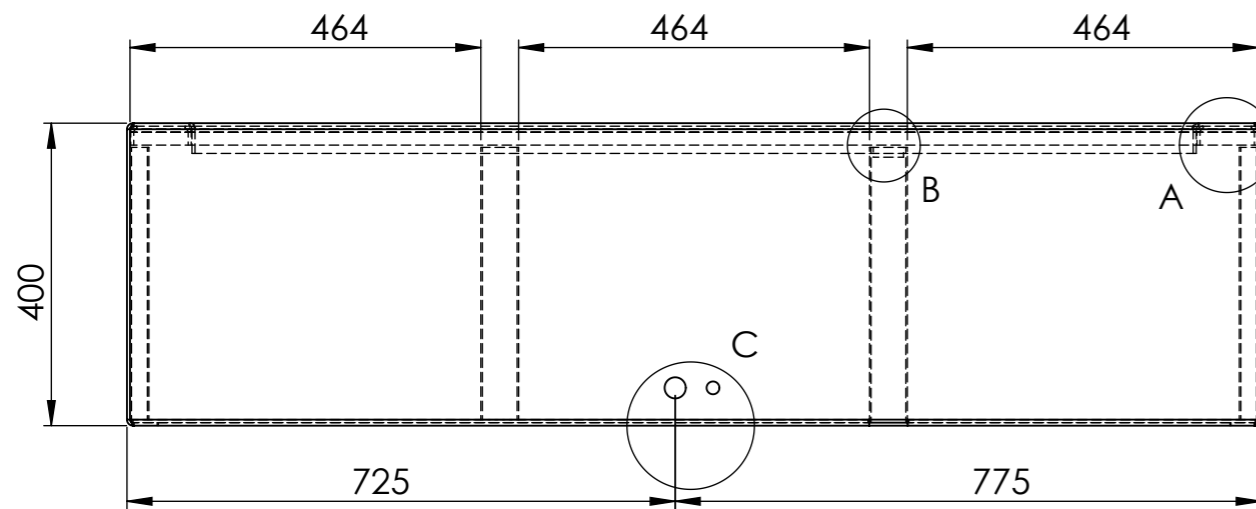
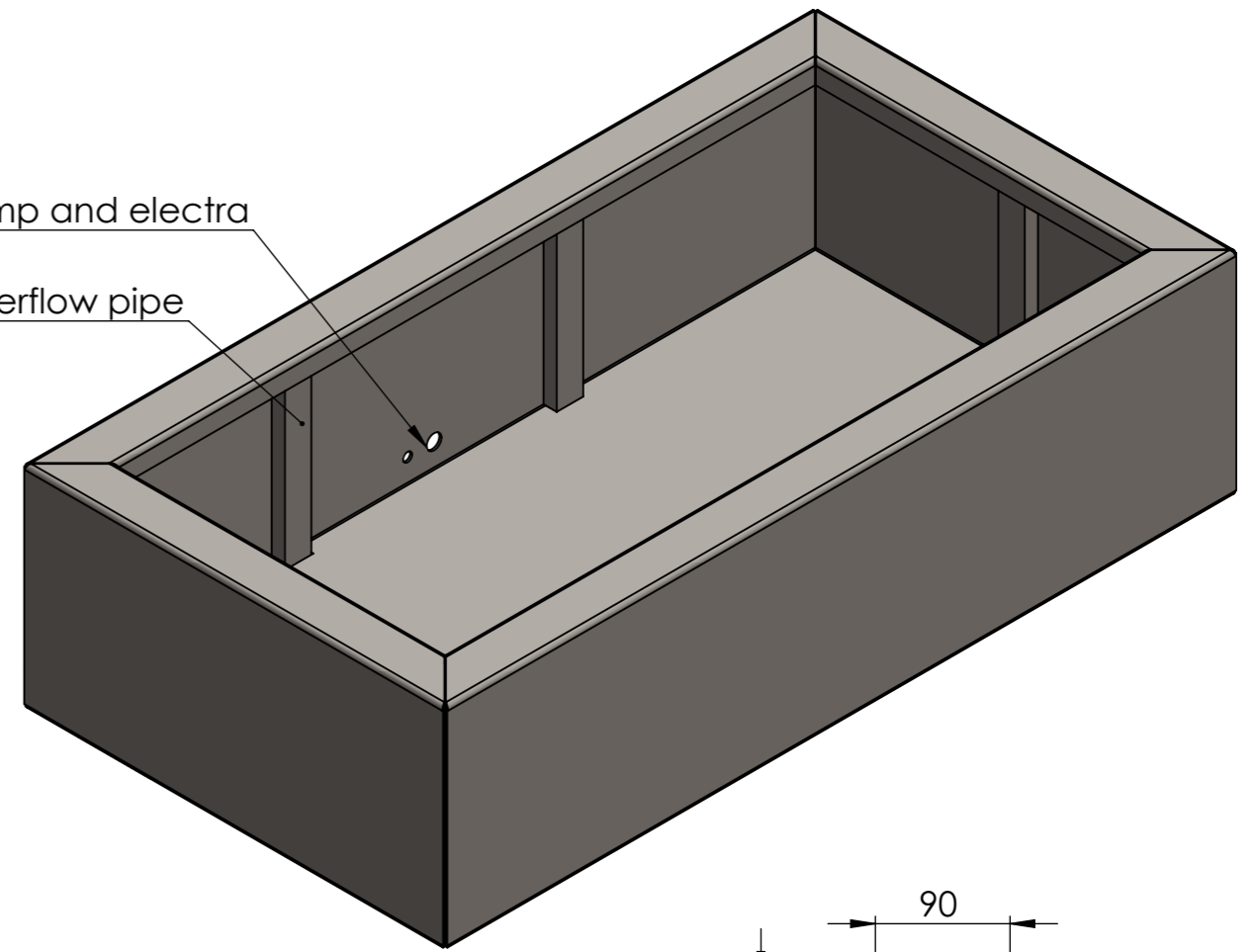
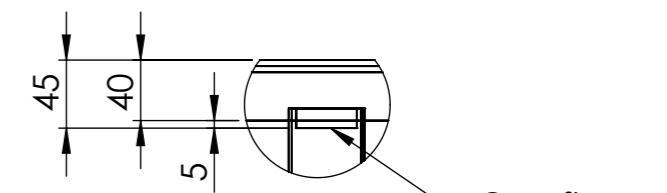


Pump and electra

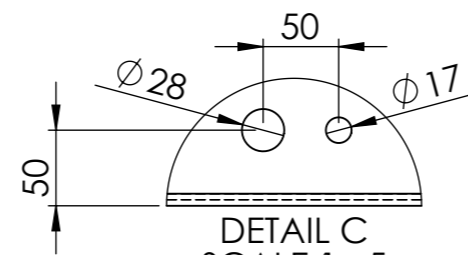
Overflow pipe



DETAIL A
SCALE 1 : 5



DETAIL B
SCALE 1 : 5



DETAIL C
SCALE 1 : 5

**Overflow pipe and holes for pump and electra placement on request!
Approval drawings will be made and send accordingly.**

DRAWN	Luuk van den Heuvel	DATE	15-1-2020		TITLE:	4mm Aluminium	
REVISION					Drawing:	VA10.1_SLDDRW	A3
				Liessentstraat 4, 5405 AG Uden (NL). t 0031 (0)413 - 27 41 68. e info@adezz.com, i www.adezz.com	SCALE:1:20	SHEET 1 OF 11	
Color:	-	Mass (kg):	46.03				