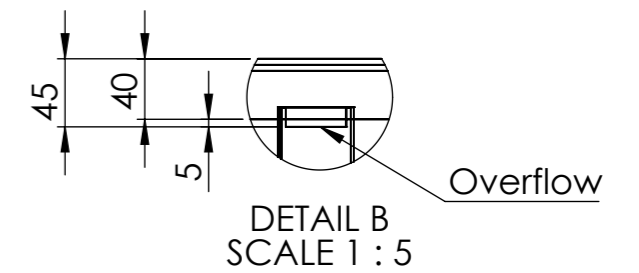
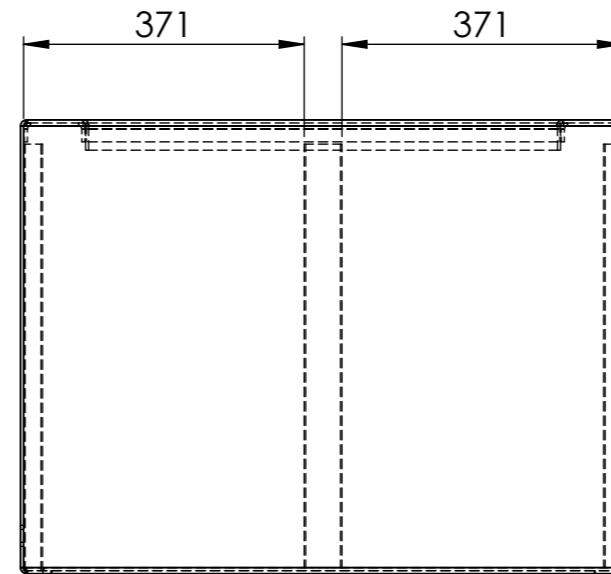
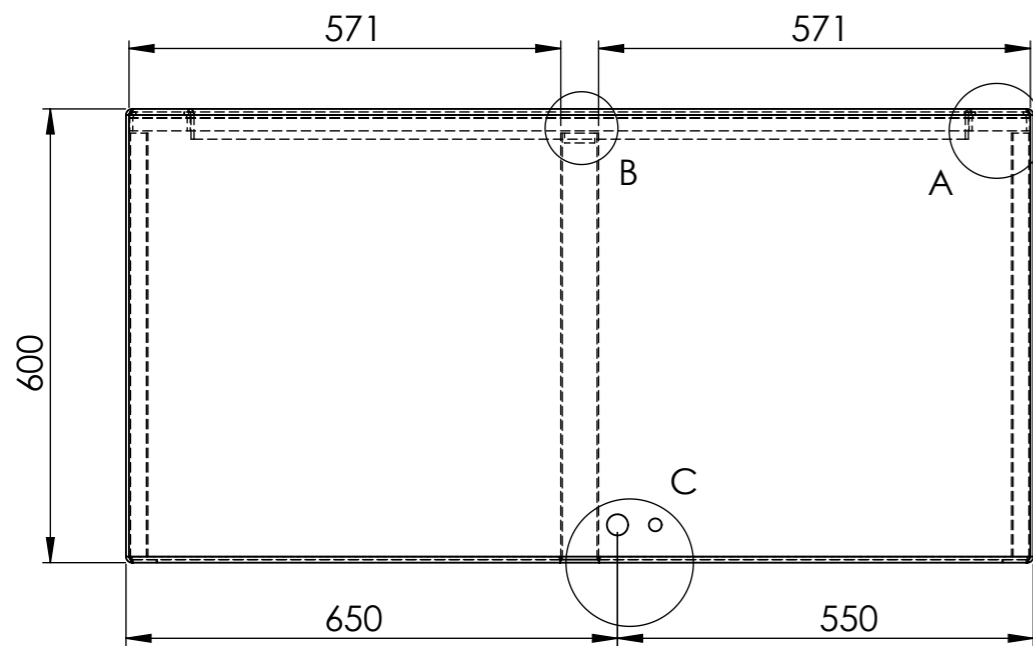
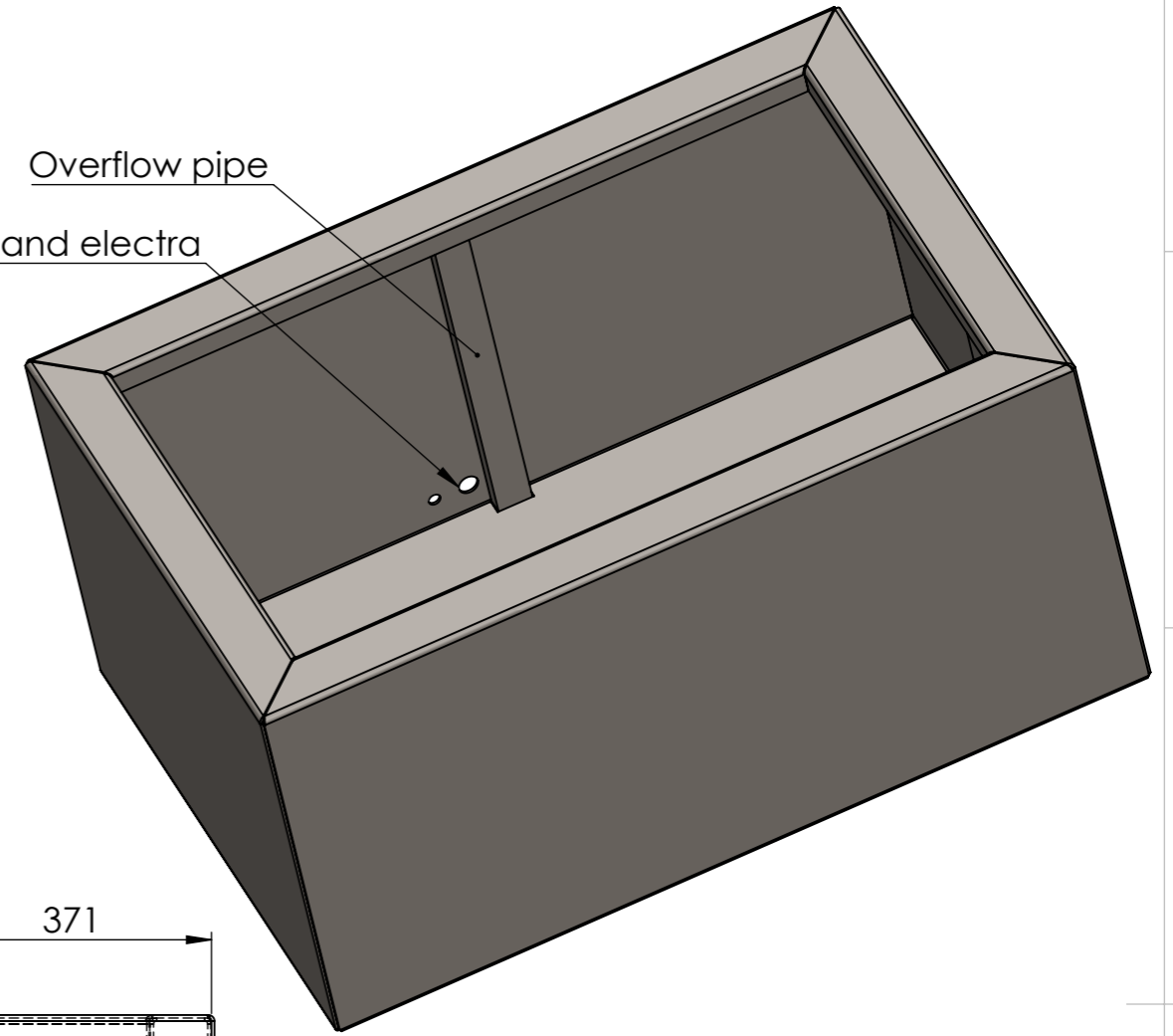
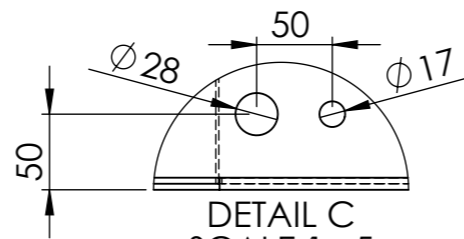


DETAIL A  
SCALE 1 : 5

Overflow pipe  
Pump and electra



DETAIL B  
SCALE 1 : 5



DETAIL C  
SCALE 1 : 5

**Overflow pipe and holes for pump and electra placement on request!  
Approval drawings will be made and send accordingly.**

DRAWN	Luuk van den Heuvel	DATE	15-1-2020		TITLE:	4mm Aluminium	
REVISION					Drawing:	VA11_SLDDRW	A3
		Liessentstraat 4, 5405 AG Uden (NL). † 0031 (0)413 - 27 41 68. e info@adezz.com, i www.adezz.com		Color:	-	Mass (kg):	47.80
				SCALE:1:10	SHEET 1 OF 11		