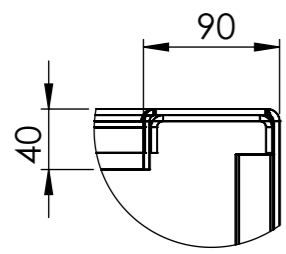
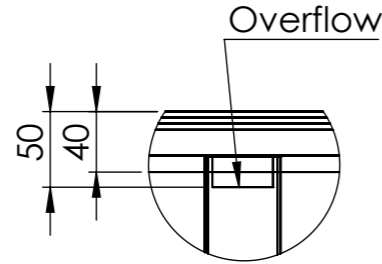


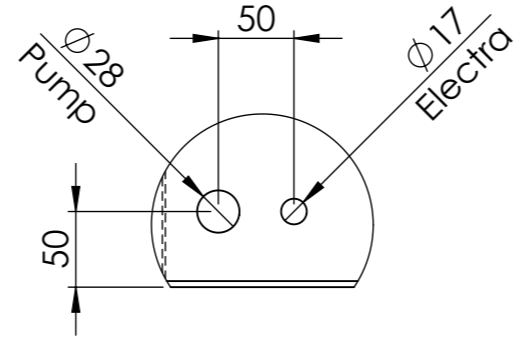
DRAWN	Luuk van den Heuvel	DATE	23-5-2023		TITLE:	Aluminum 4mm	
REVISION					Drawing:	VA11.1	A3
		Liessentstraat 4, 5405 AG Uden (NL). † 0031 (0)413 - 27 41 68. e info@adezz.com, i www.adezz.com		Color:	-	Mass (kg):	36.61
				SCALE:1:10	SHEET 1 OF 10		



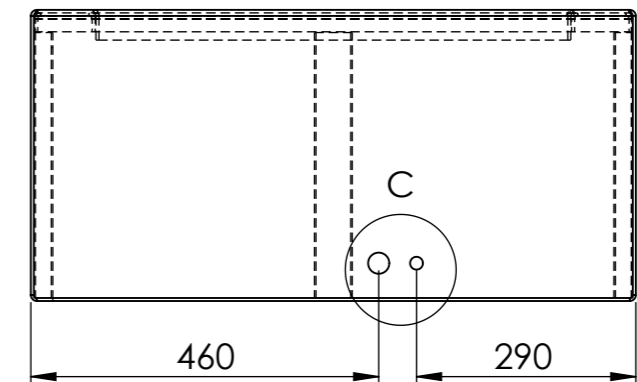
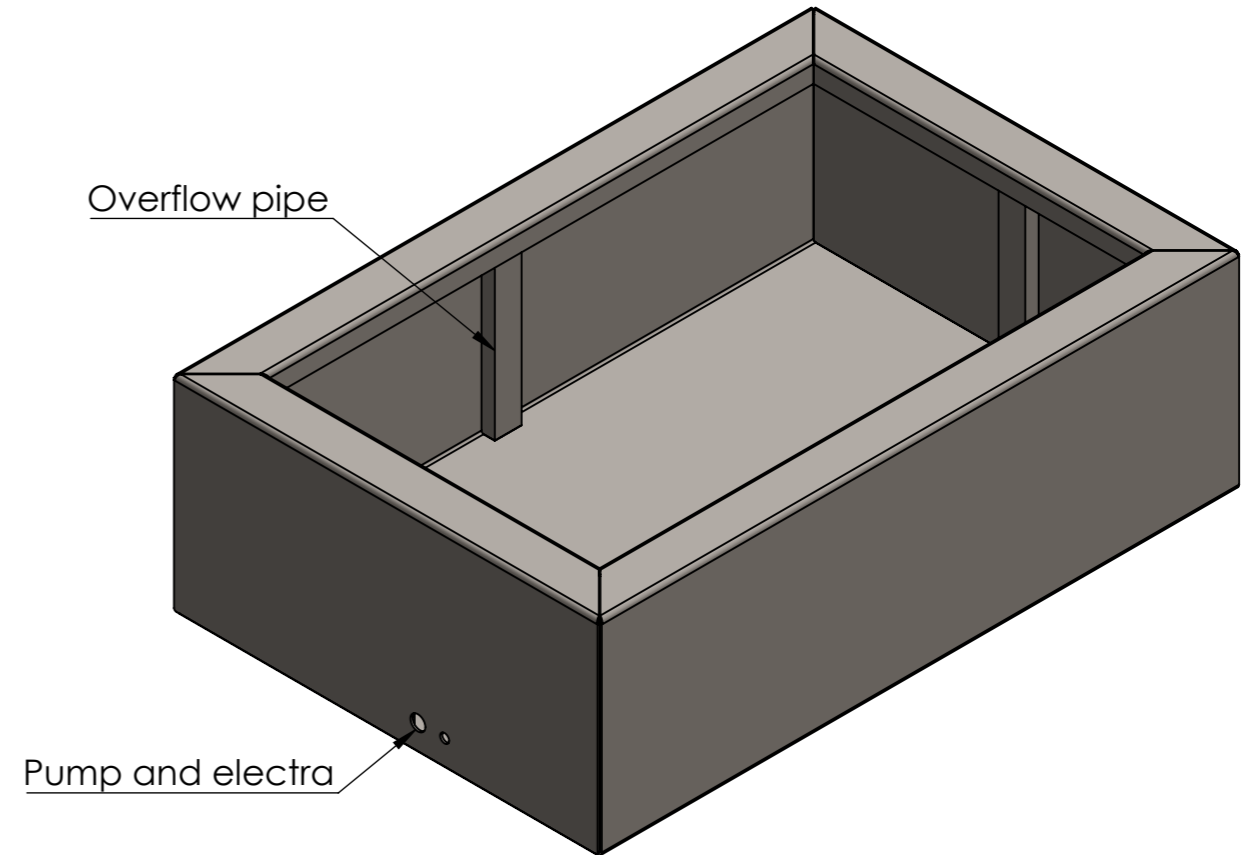
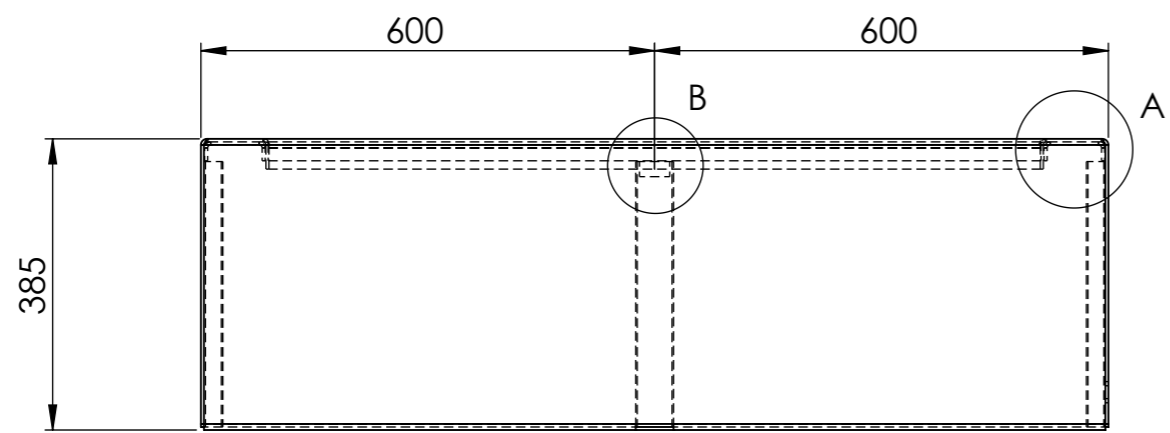
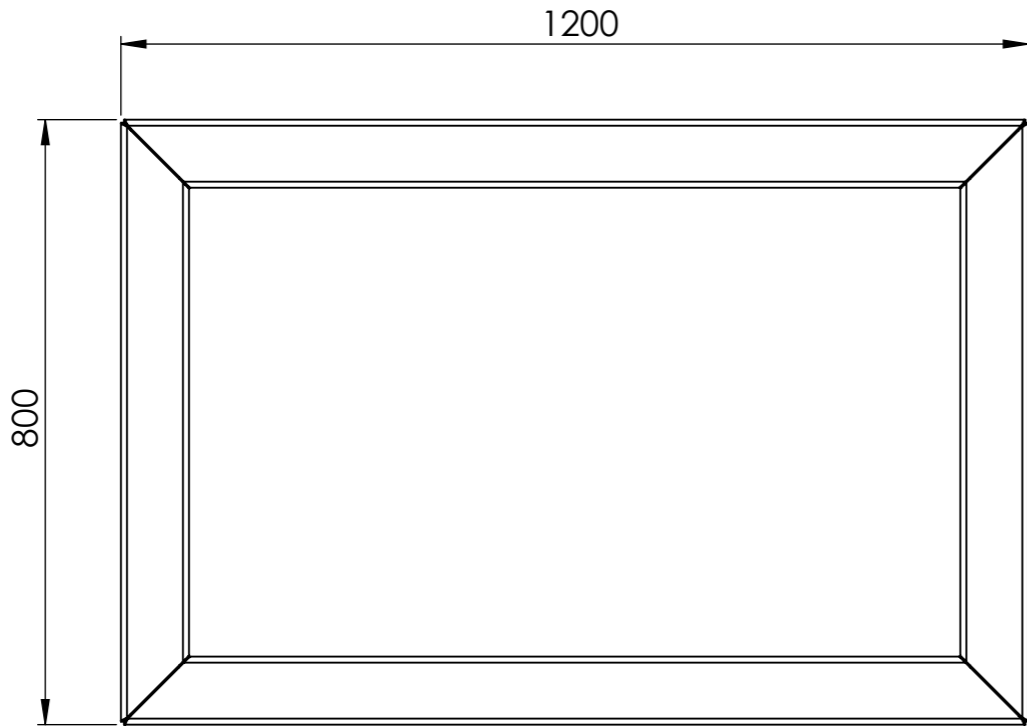
DETAIL A
SCALE 1 : 5



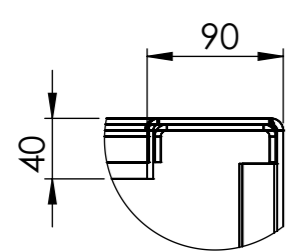
DETAIL B
SCALE 1 : 5



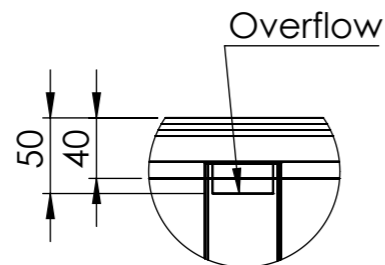
DETAIL C
SCALE 1 : 5



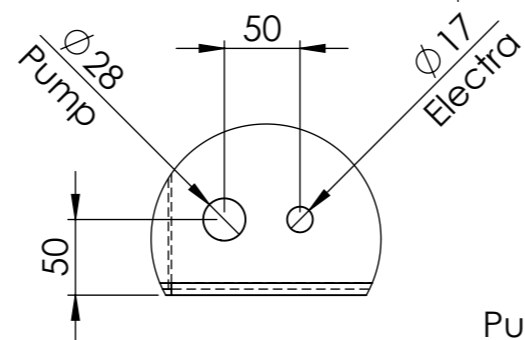
DRAWN	Luuk van den Heuvel	DATE	23-5-2023		TITLE:	Aluminum 4mm	
REVISION					Drawing:	VA11.1	A3
Liessentstraat 4, 5405 AG Uden (NL). † 0031 (0)413 - 27 41 68. e info@adezz.com, i www.adezz.com							
Color:	-	Mass (kg):	36.60	SCALE:1:10	SHEET 1 OF 10		



DETAIL A
SCALE 1 : 5

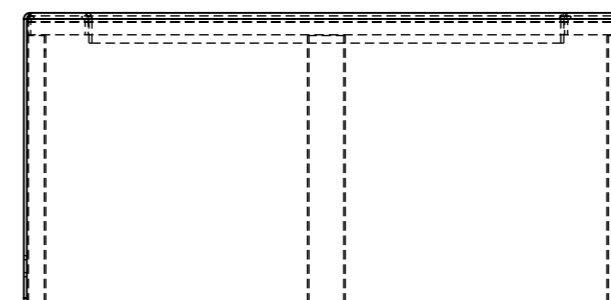
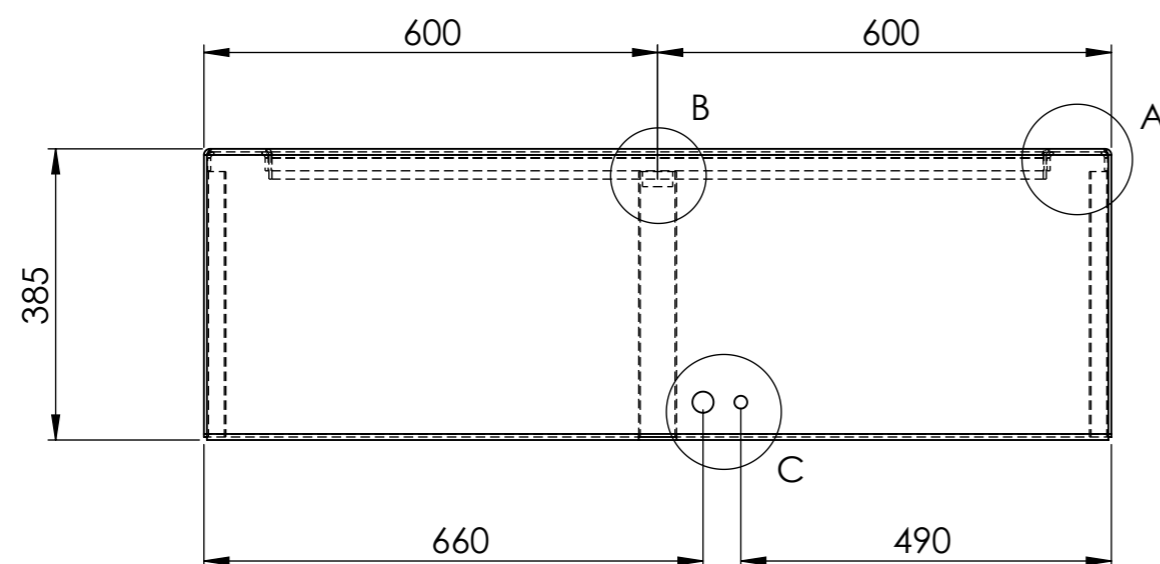
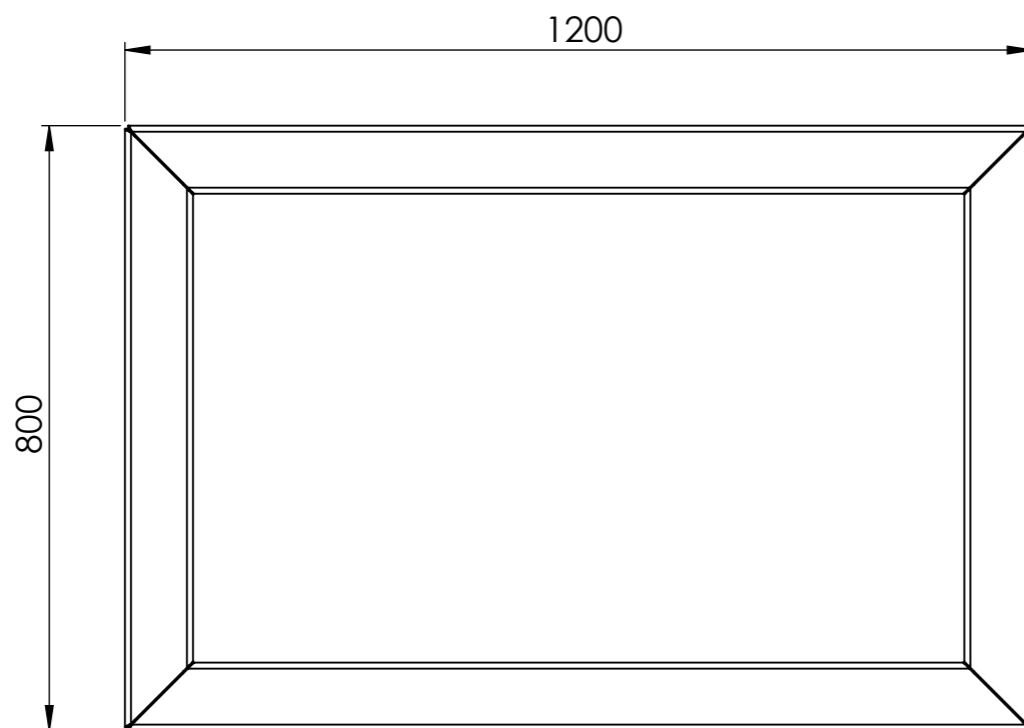
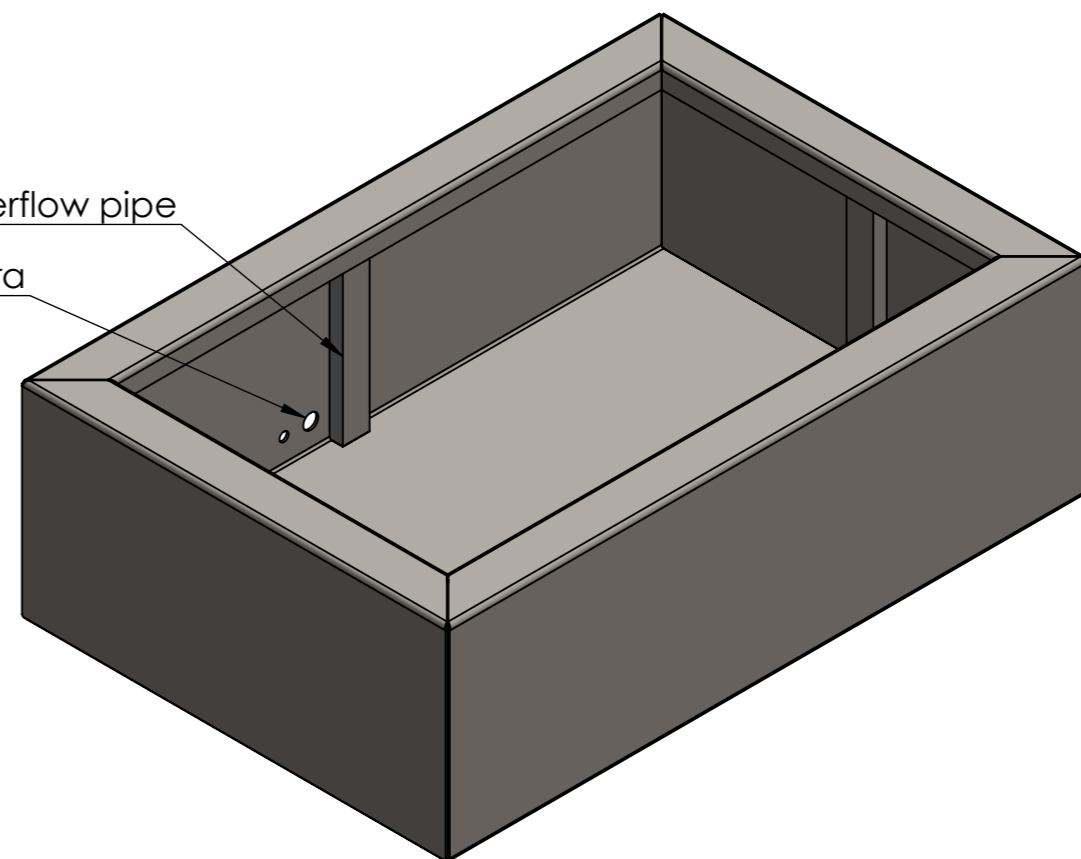


DETAIL B
SCALE 1 : 5



DETAIL C
SCALE 1 : 5

Overflow pipe
Pump and electra



DRAWN	Luuk van den Heuvel	DATE	23-5-2023		TITLE:	Aluminum 4mm	
REVISION					Drawing:	VA11.1	A3
		Liessentstraat 4, 5405 AG Uden (NL). † 0031 (0)413 - 27 41 68. e info@adezz.com, i www.adezz.com		Color:	-	Mass (kg):	36.60
				SCALE:1:10	SHEET 1 OF 10		