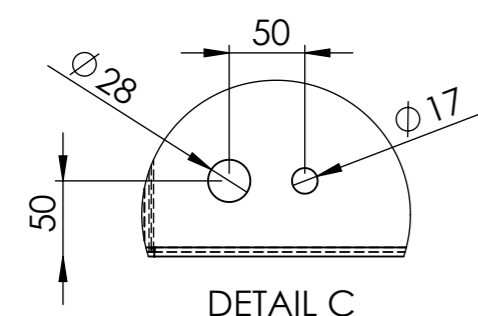
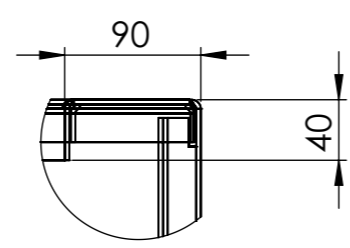


DETAIL A
SCALE 1 : 5



DETAIL C
SCALE 1 : 5



DETAIL B
SCALE 1 : 5

**Overflow pipe and holes for pump and electra placement on request!
Approval drawings will be made and send accordingly.**

DRAWN	Luuk van den Heuvel	DATE	2-2-2020		TITLE:	3mm Corten	
REVISION					Drawing:	VC10.1_SLDDRW	A3
				Liessentstraat 4, 5405 AG Uden (NL). † 0031 (0)413 - 27 41 68. e info@adezz.com, i www.adezz.com		SCALE:1:10	SHEET 1 OF 13
Color:	-	Mass (kg):	100.96				