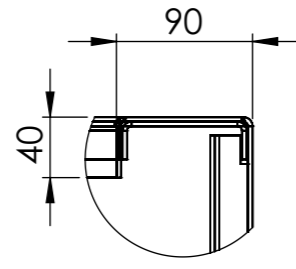
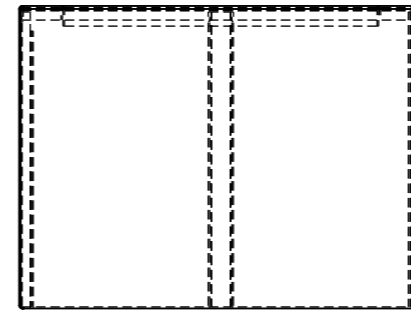
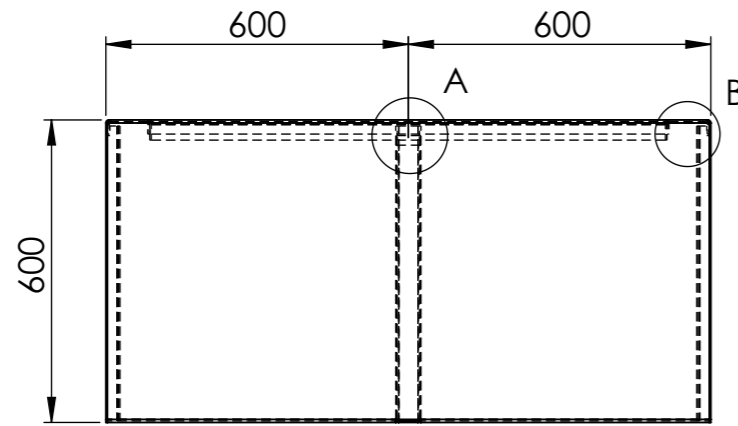
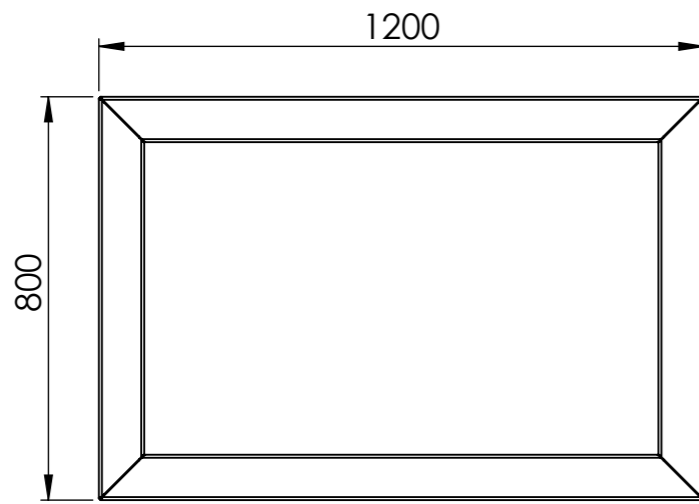
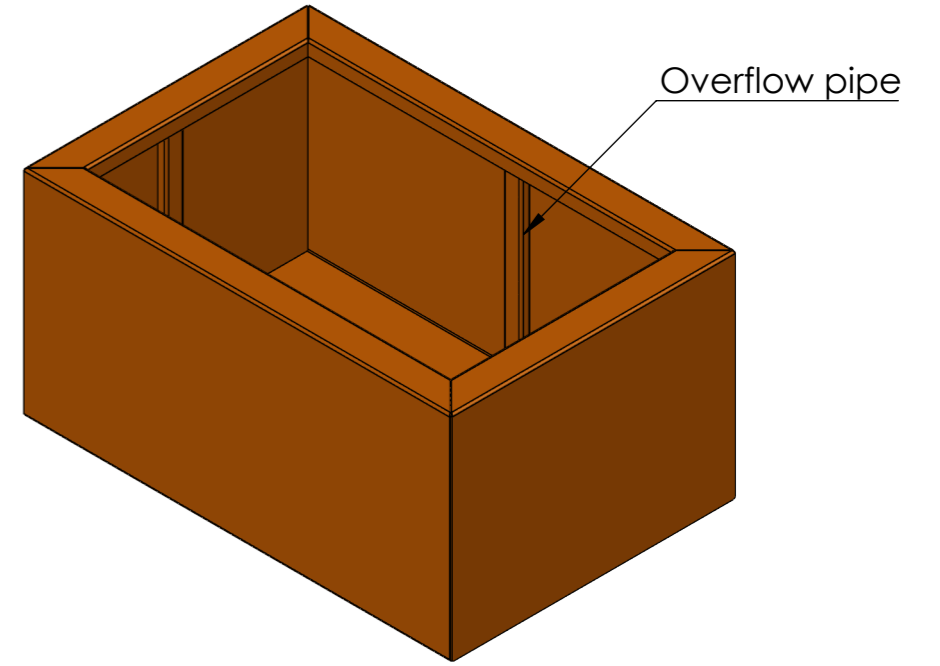


DETAIL A
SCALE 1:5



DETAIL B
SCALE 1:5



DRAWN	Luuk van den Heuvel	DATE	26-6-2023		TITLE:	Corten 3mm	
REVISION					Drawing:	VC11--	A3
				Liessentstraat 4, 5405 AG Uden (NL). t 0031 (0)413 - 27 41 68. e info@adezz.com, i www.adezz.com		SCALE:1:15	SHEET 1 OF 10
Color:	-	Mass (kg):	103,52				