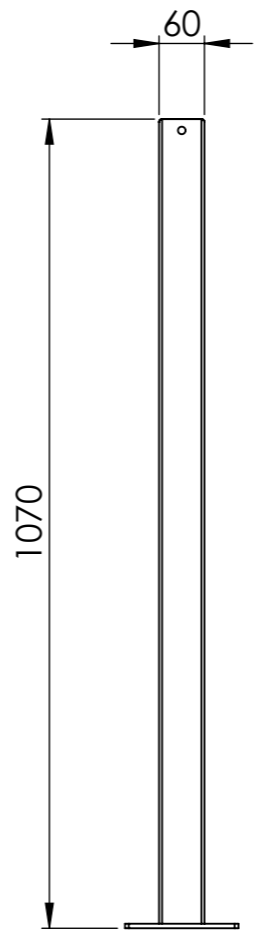
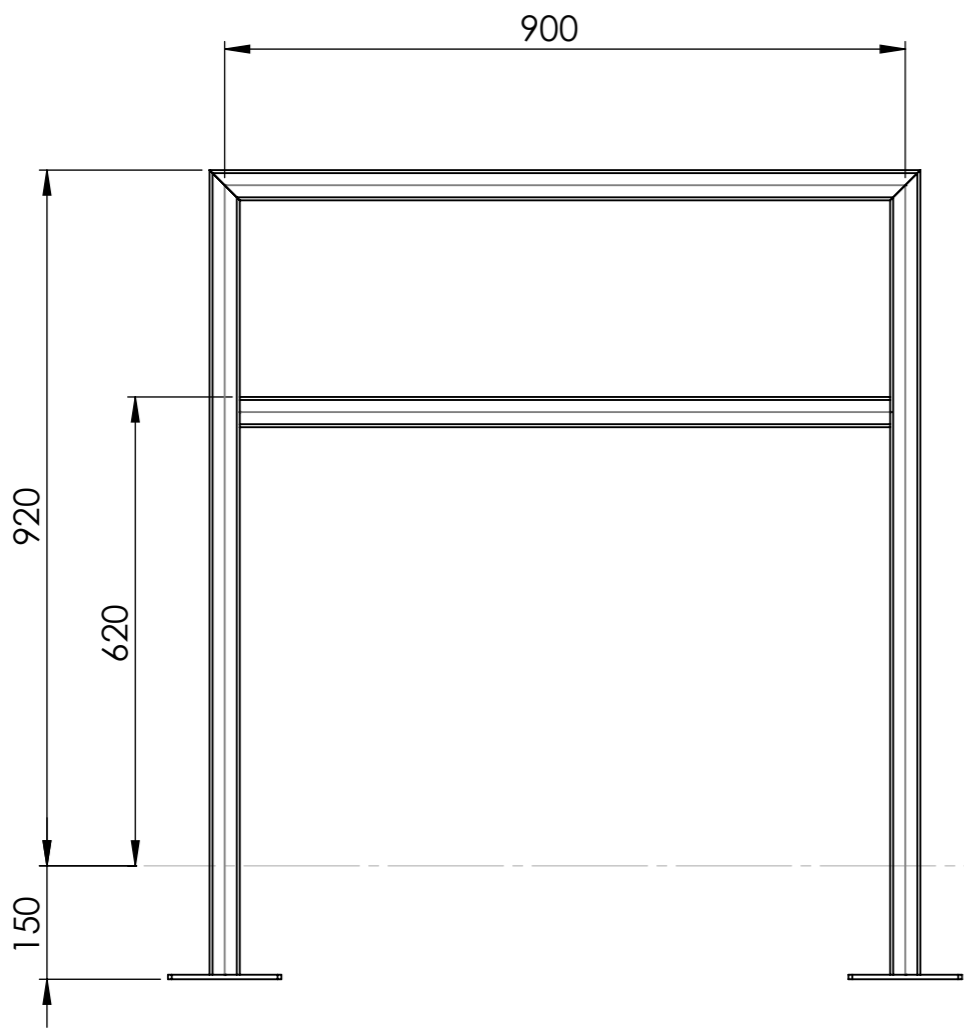
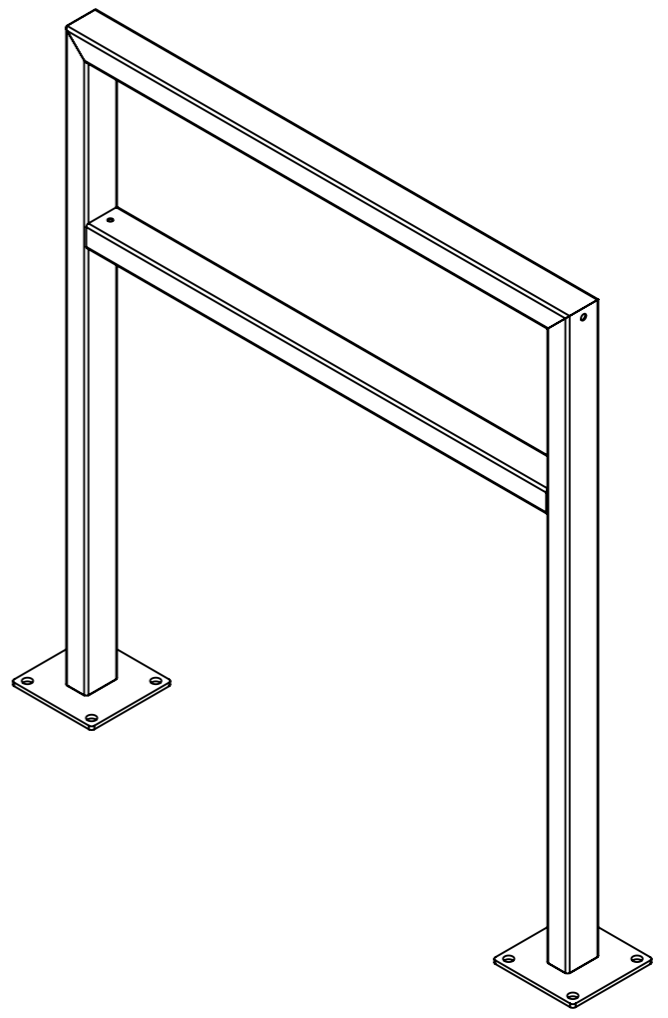
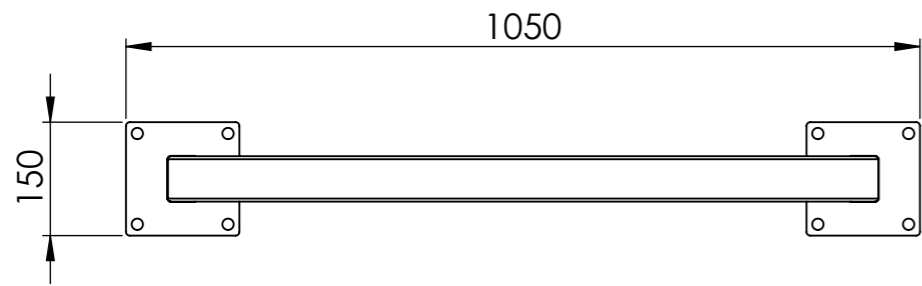


1 2 3 4 5 6 7 8

A  
B  
C  
D  
E  
F



		DATE	
DRAWN	Sibren Nass	17-11-2020	
REVISION	Pleuni Bongers	17-11-2020	

TITLE:	ARBS1.900S Zn	
--------	---------------	--

**FURNS**  
STREET FURNITURE

Liessentstraat 4, 5405 AG Uden (NL).  
 † 0031 (0)413 - 27 41 68.  
 e info@furns.nl, i www.furns.nl

Drawing:	ARBS1.900S Zn Sheet1	A3
----------	----------------------	----

Color:	-	Mass(kg): 13.02	SCALE:1:10	SHEET 1 OF 1
--------	---	-----------------	------------	--------------

1 2 3 4