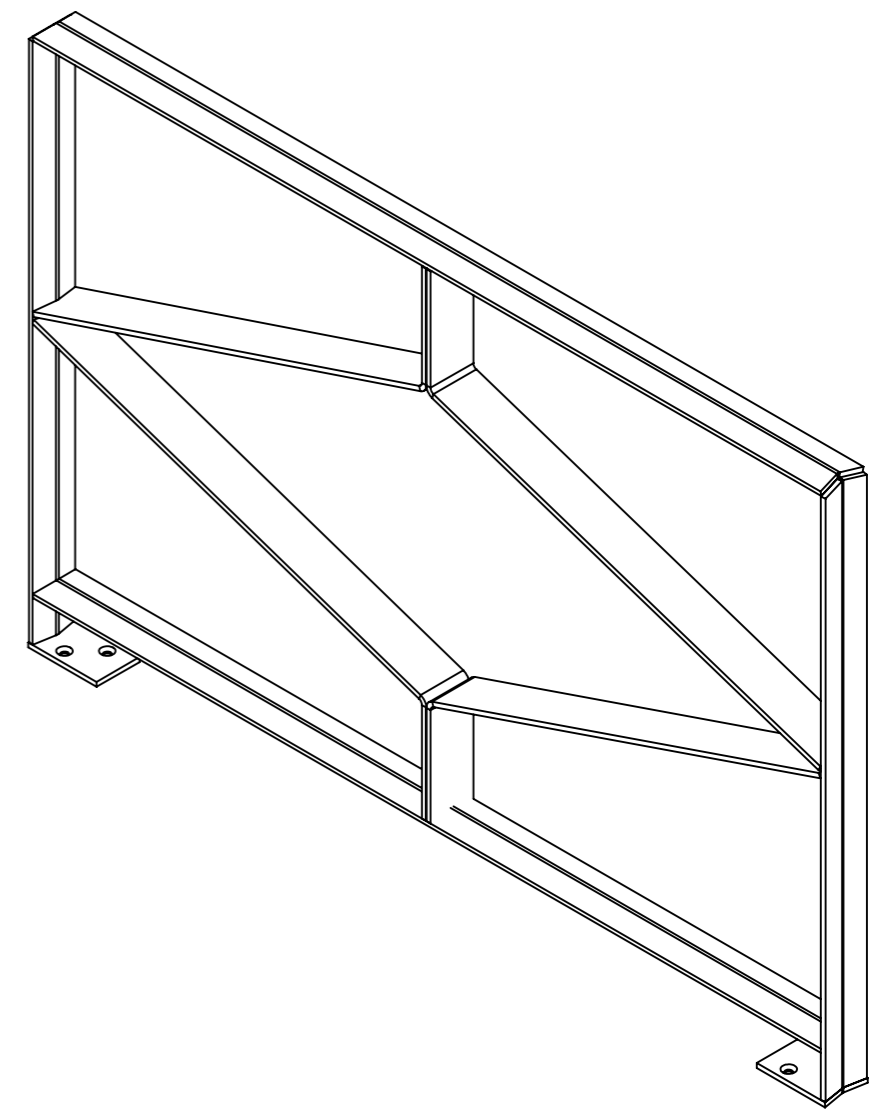
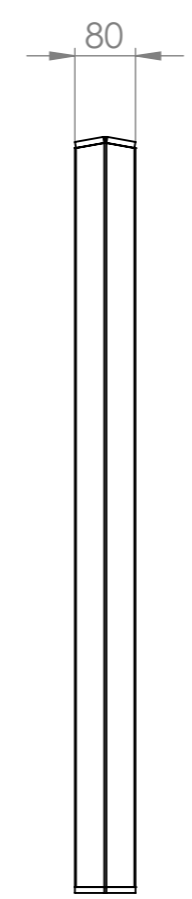
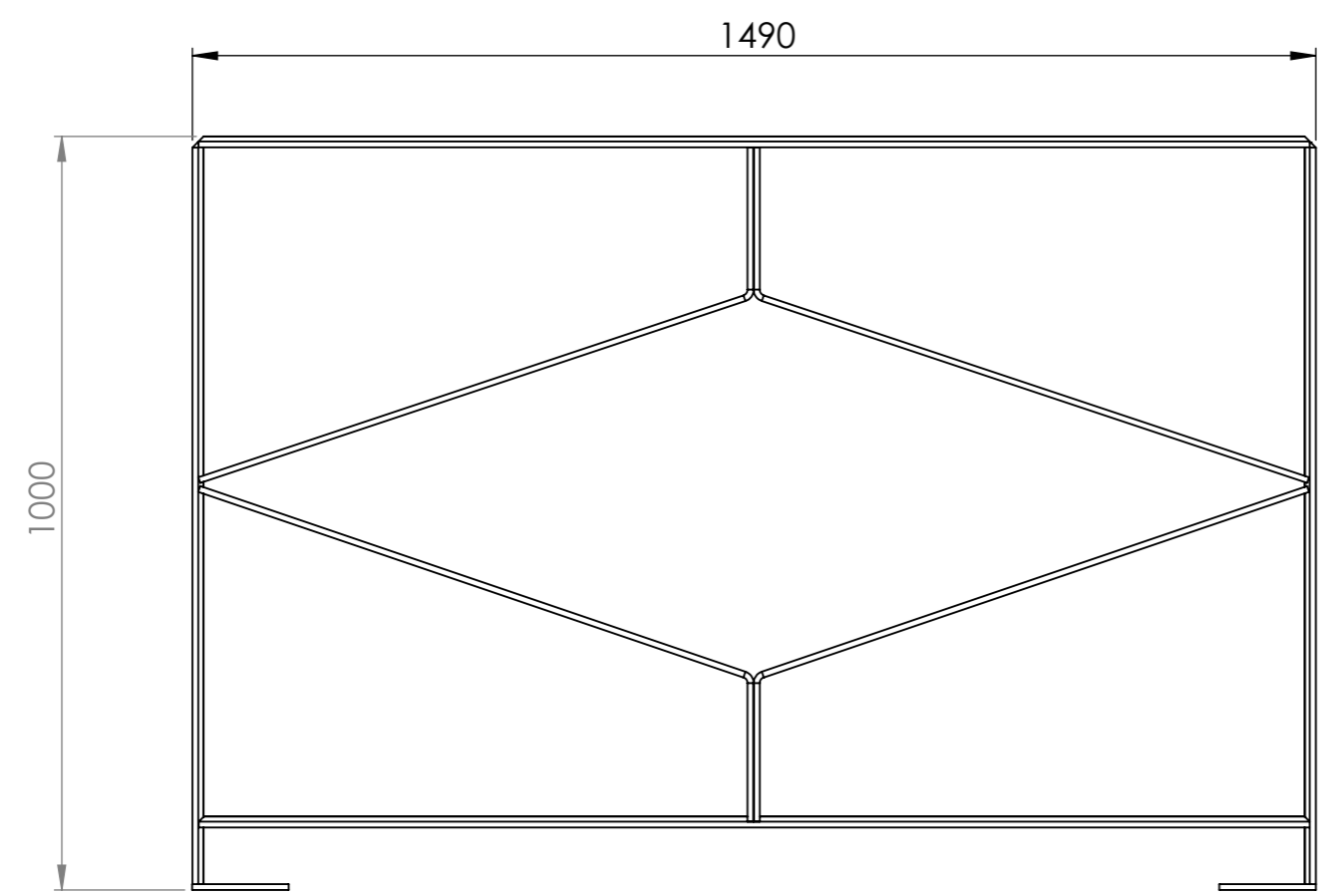
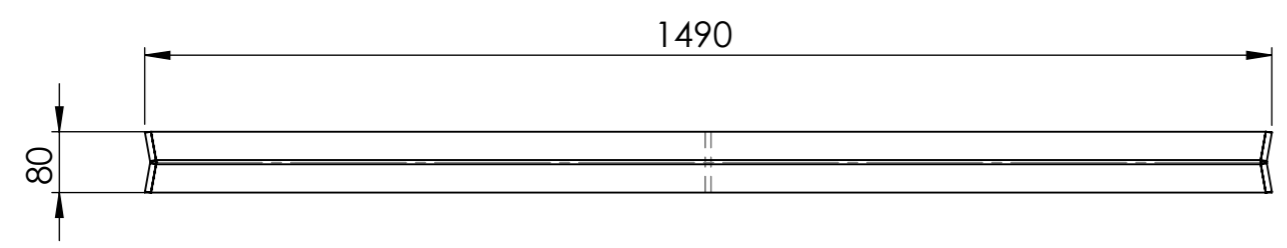


1 2 3 4 5 6 7 8

A
B
C
D
E
F



DRAWN	Perry Mortens	DATE	10-2-2020		TITLE:	RO1BA.1490	
REVISION					Drawing.	RO1BA.1490	A3
		Liessentstraat 4, 5405 AG Uden (NL). † 0031 (0)413 - 27 41 68. e info@furns.nl, † www.furns.nl		Color:	-	Mass(kg): 44.80	SCALE:1:10
					SHEET 1 OF 7		

1 2 3 4