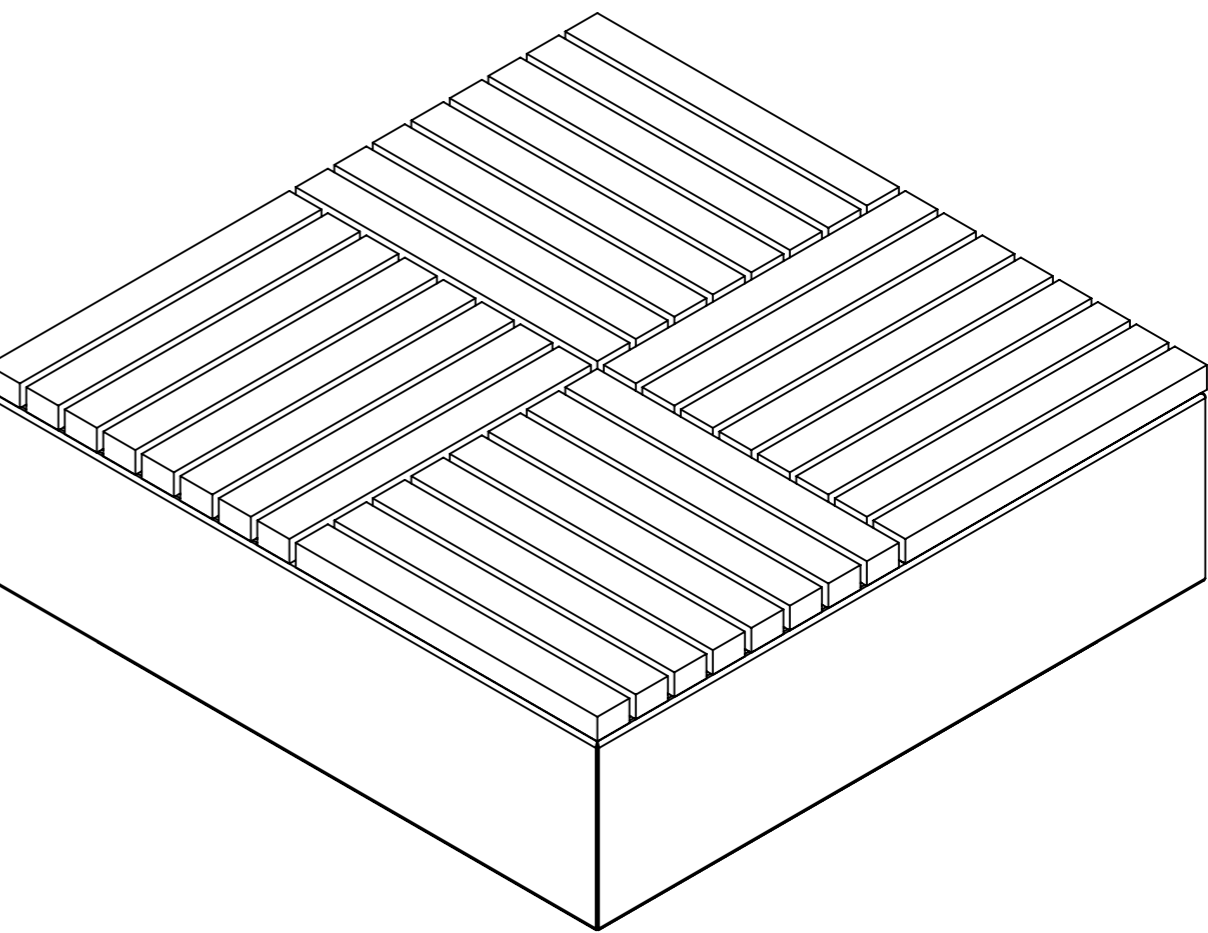




1140

1140

450



DRAWN	Dorus Bannenberg	DATE	11-6-2020		TITLE:	HO.S1140.Ct	
REVISION					Drawing:	HO.S1140.Ct	A3
				Liessentstraat 4, 5405 AG Uden (NL). t 0031 (0)413 - 27 41 68. e info@furns.nl, i www.furns.nl		SCALE:1:10	SHEET 1 OF 10
Color:							