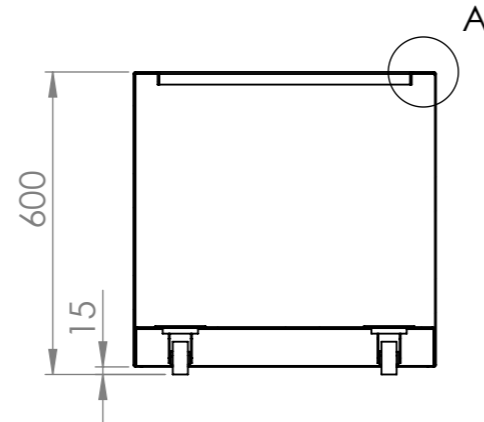
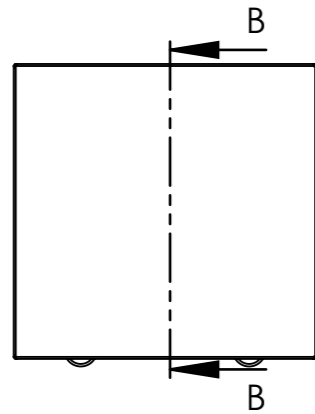
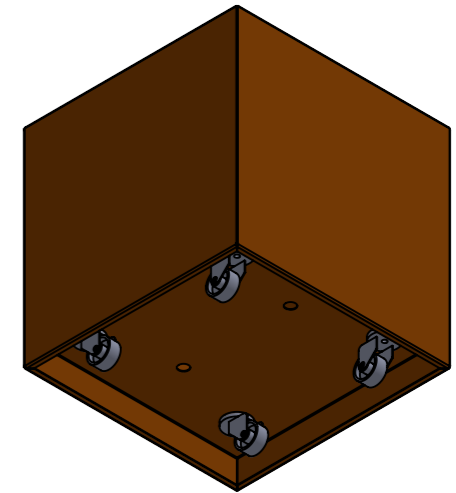
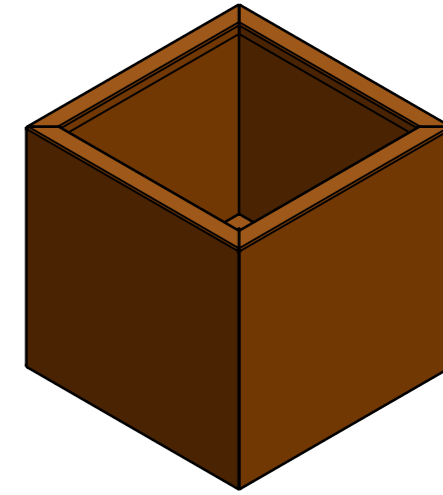
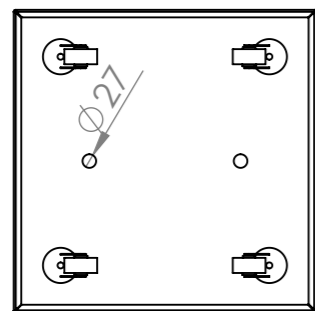


DETAIL A
SCALE 1 : 2



SECTION B-B



DRAWN	Benny Dijkhuis	DATE	8-11-2019		TITLE:			
REVISION	Luuk van der Heuvel		9-12-2020		2mm Corten			
				Liessentstraat 4, 5405 AG Uden (NL). † 0031 (0)413 - 27 41 68. e info@adezz.com, i www.adezz.com		Drawing:	CAWL 8 Composition	A3
Color:		Mass (kg):	33.66	SCALE:1:15	SHEET 1 OF 5			