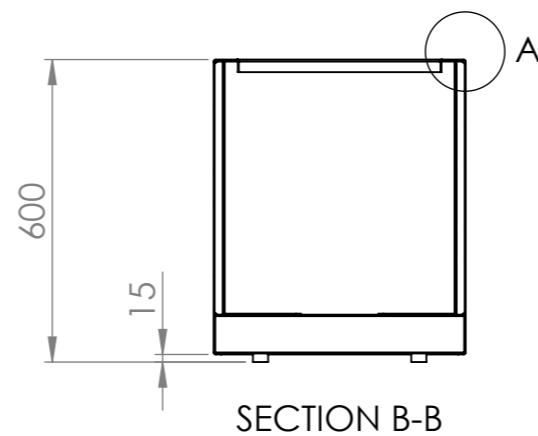
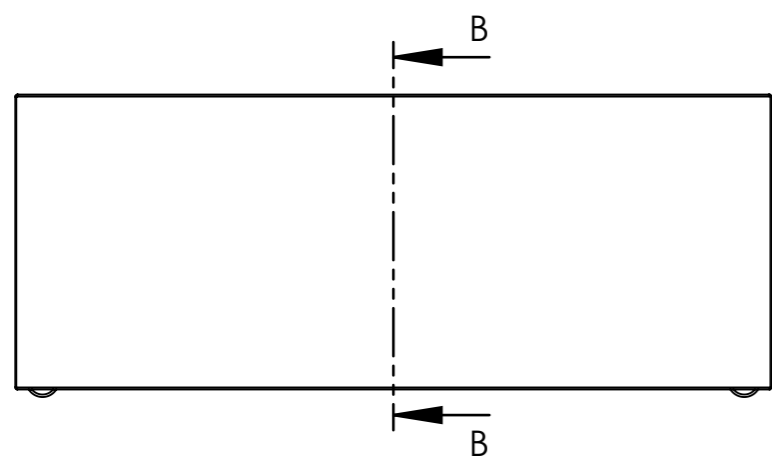
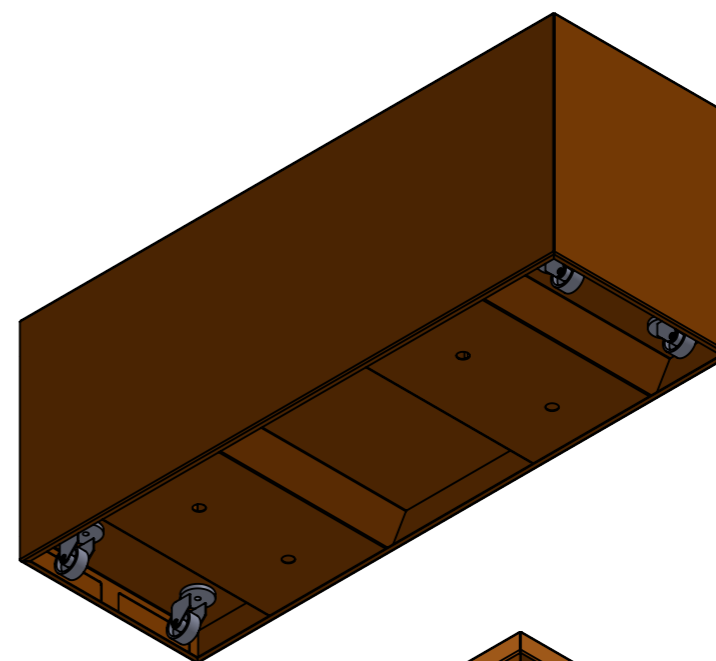
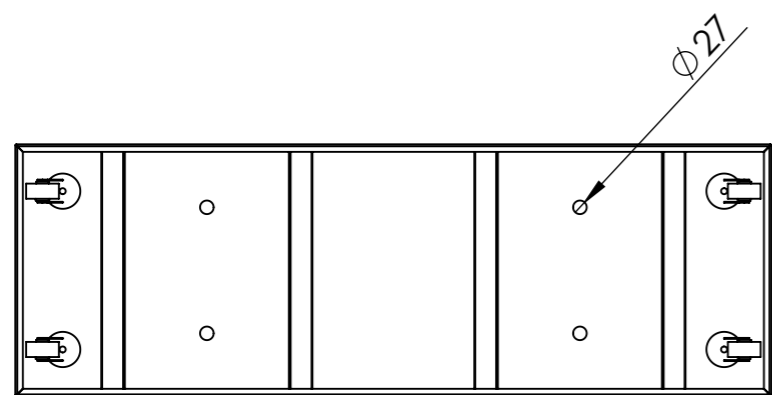
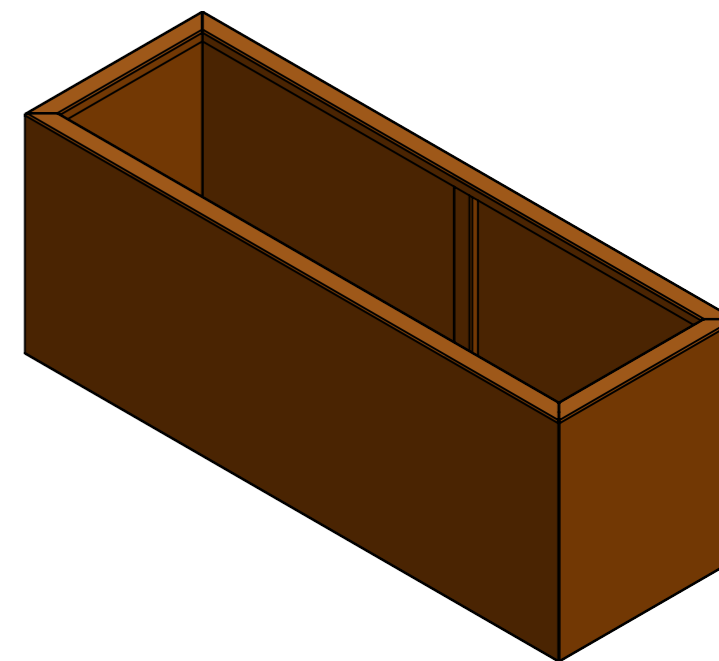




DETAIL A  
SCALE 1 : 2



SECTION B-B



DRAWN	Benny Dijkhuis	DATE	8-11-2019		TITLE:	2mm Corten	
REVISION	Luuk van der Heuvel	DATE	9-12-2020		Drawing:	CAWL 22.1	A3
				Liessentstraat 4, 5405 AG Uden (NL). † 0031 (0)413 - 27 41 68. e info@adezz.com, i www.adezz.com			
Color:	Mass (kg):		<b>57.55</b>	SCALE:1:15	SHEET 1 OF 7		