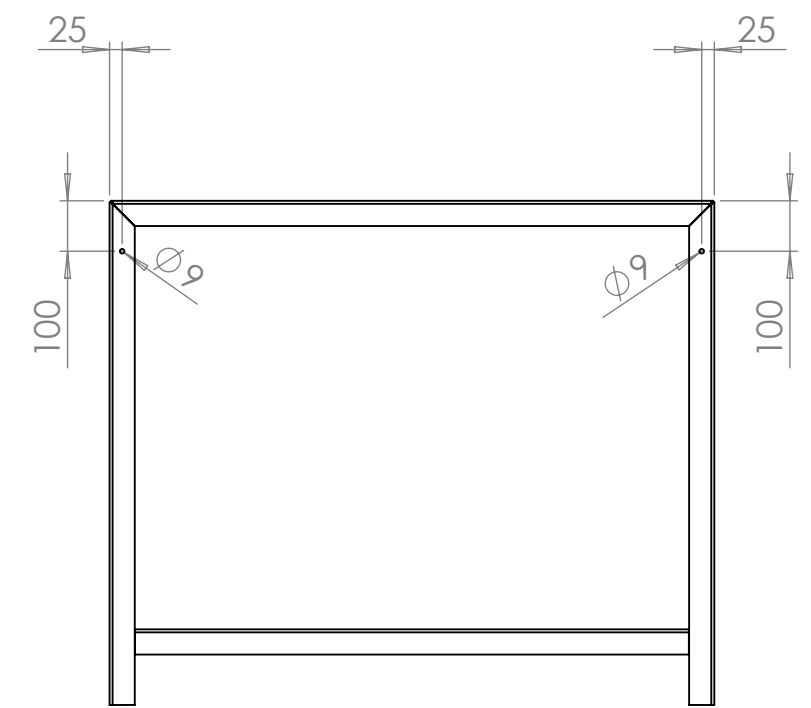
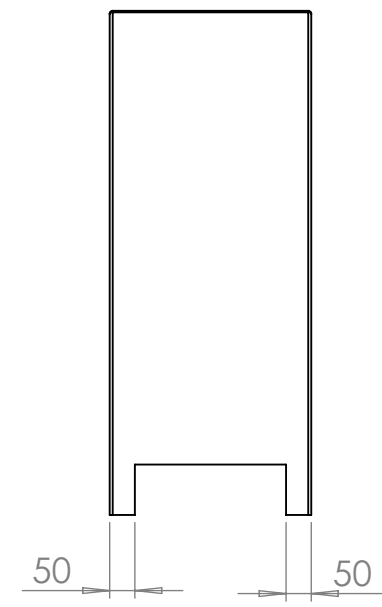
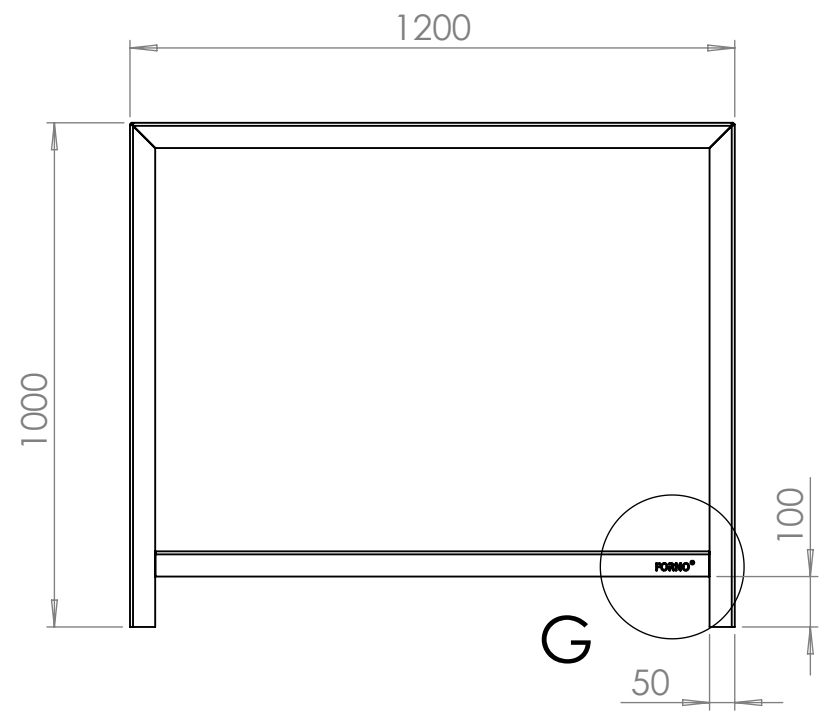
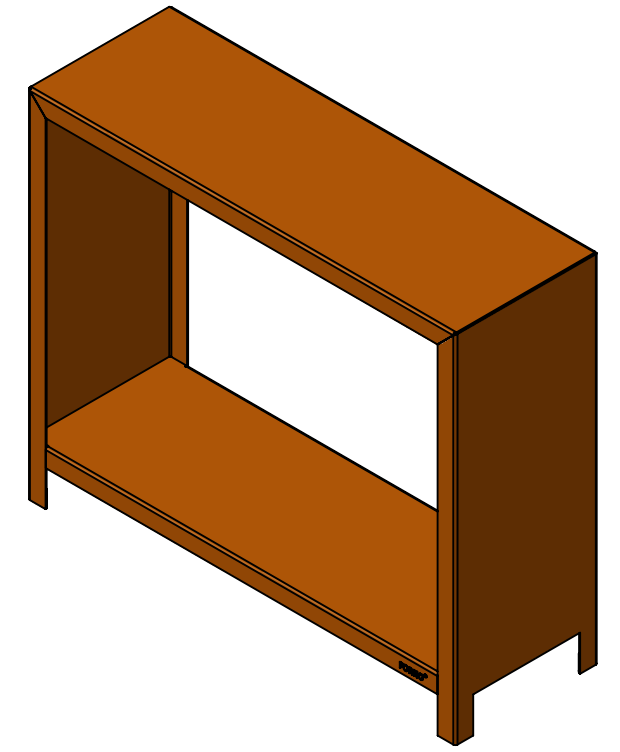
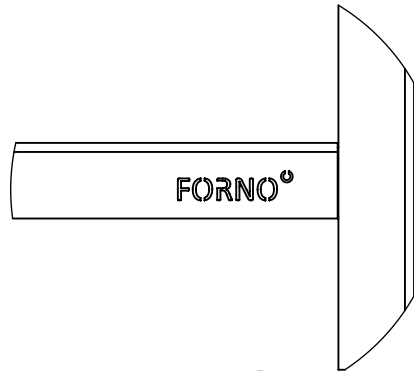




DETAIL G
SCALE 1 : 5



DRAWN	Luuk van den Heuvel	DATE	8-2-2021
REVISION			

TITLE:	3mm Corten	
Drawing:	BHS4.1-BHG4.1	A3

FORNO°
outdoor fire

Liessentstraat 4, 5405 AG Uden (NL).
t 0031 (0)413 - 27 41 68.
e info@furns.nl, i www.furns.nl

Color:	-	Mass(kg):	49.83	SCALE:	1:15	SHEET	1 OF 8
--------	---	-----------	-------	--------	------	-------	--------