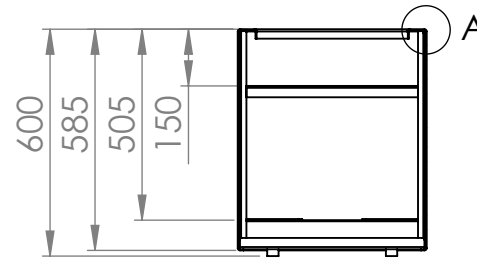
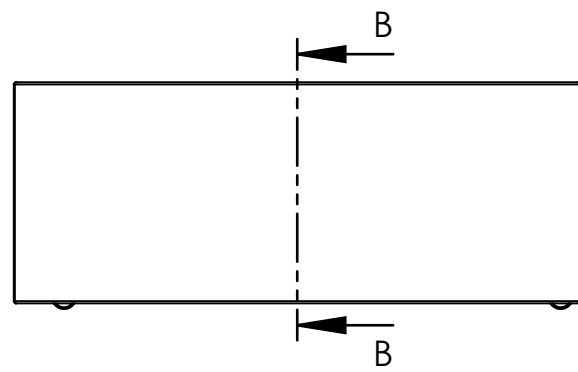
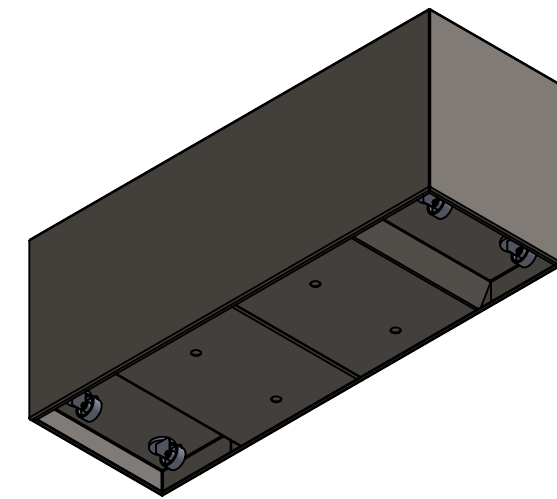
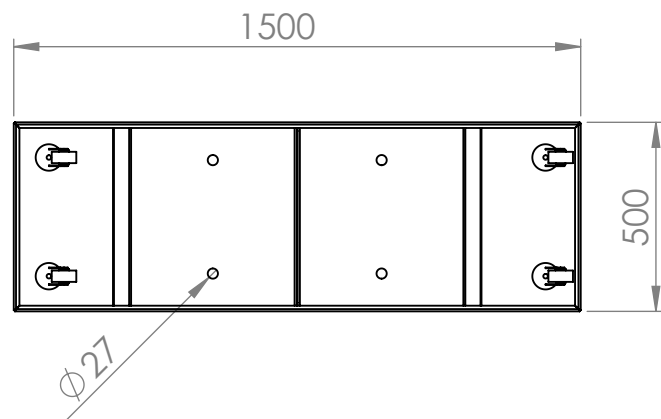
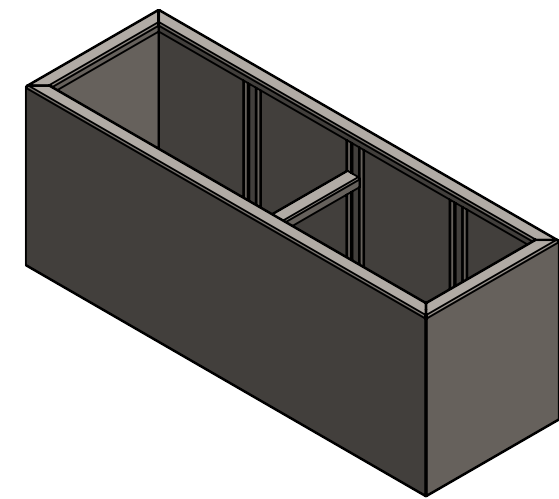


DETAIL A  
SCALE 1 : 2



SECTION B-B



DRAWN	Luuk van den Heuvel	DATE	18-2-2021	
REVISION	Pleuni Bongers	DATE	27-5-2021	
		Liessentstraat 4, 5405 AG Uden (NL). t 0031 (0)413 - 27 41 68. e info@adezz.com, i www.adezz.com		
Color:		Mass (kg):	<b>32.43</b>	

TITLE:	3mm Aluminum	
Drawing:	AFWL 22.1	A3
SCALE:	1:20	SHEET 1 OF 8