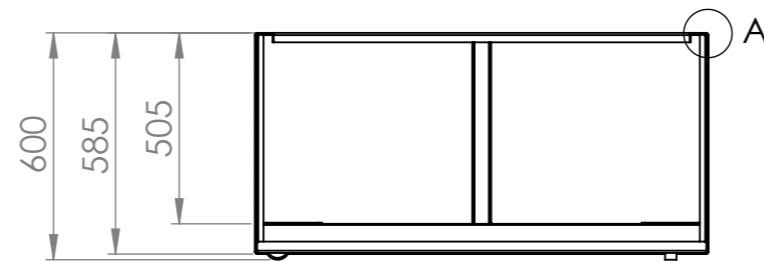
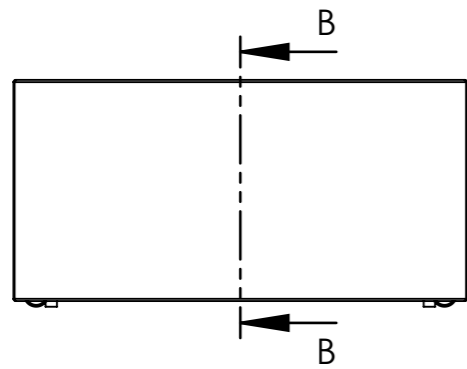
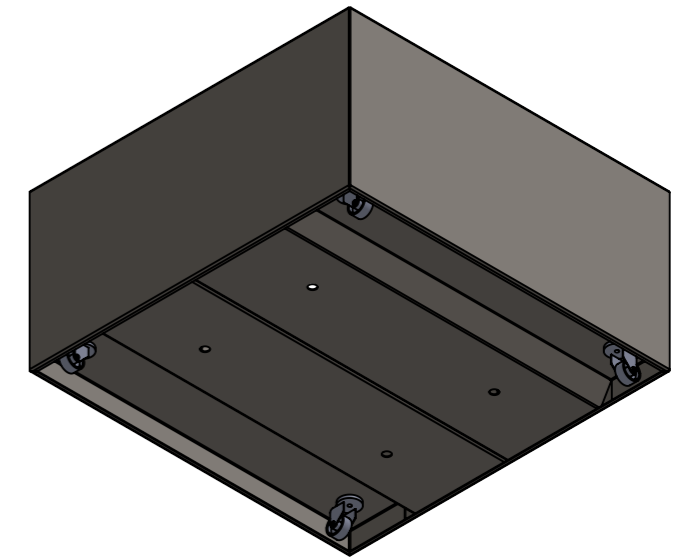
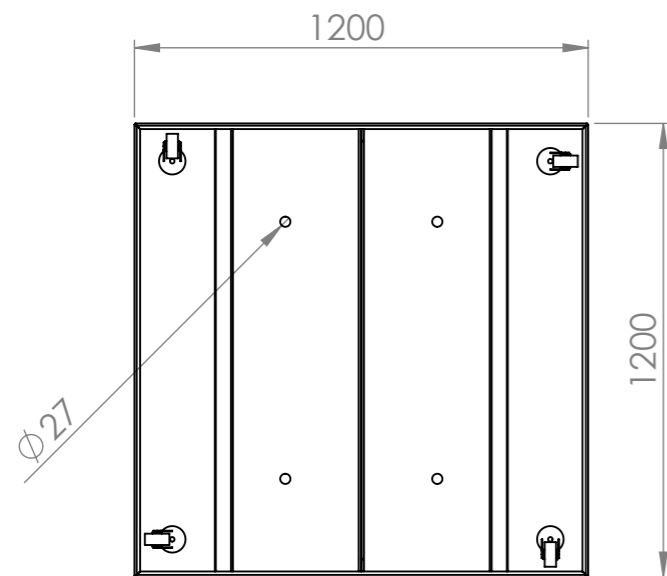
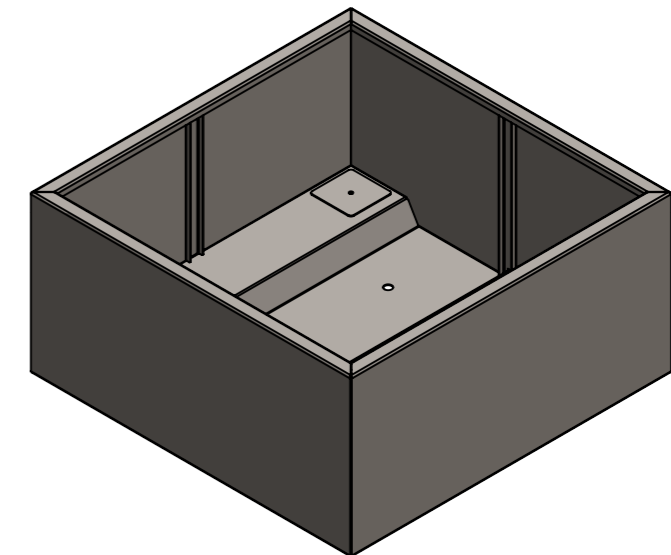


DETAIL A
SCALE 1 : 2



SECTION B-B



DRAWN	Luuk van den Heuvel	DATE	18-2-2021		3mm Aluminum
REVISION	Pleuni Bongers	DATE	26-5-2021		
		Liessentstraat 4, 5405 AG Uden (NL). t 0031 (0)413 - 27 41 68. e info@adezz.com, i www.adezz.com		Drawing: AFWL 4.2	
Color:		Mass (kg):	42.53	SCALE:1:20	SHEET 1 OF 7