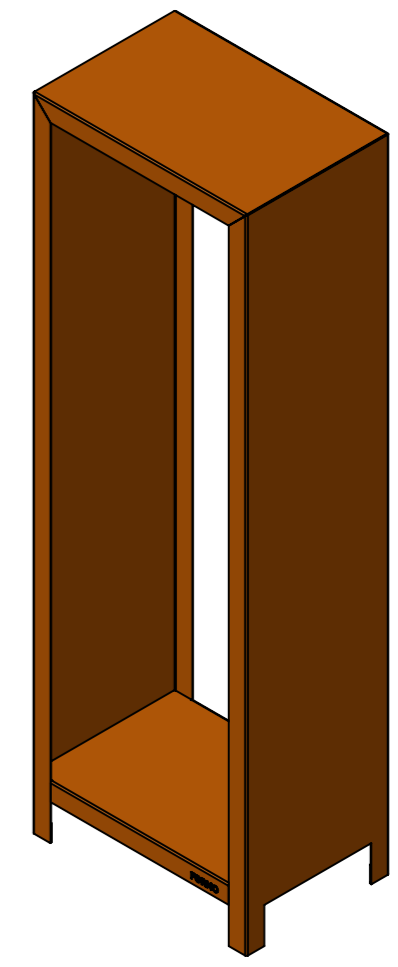
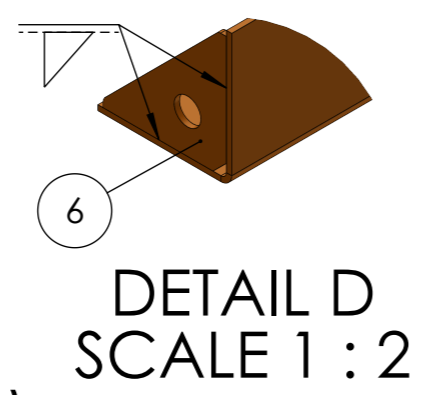
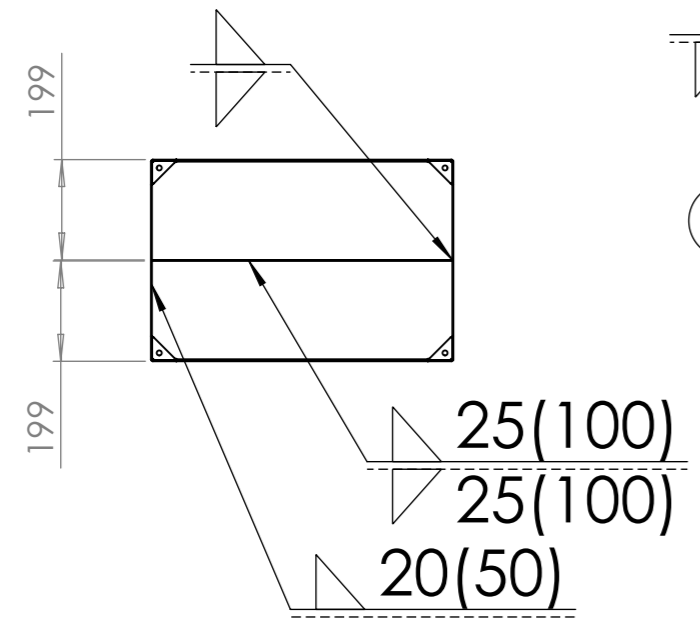
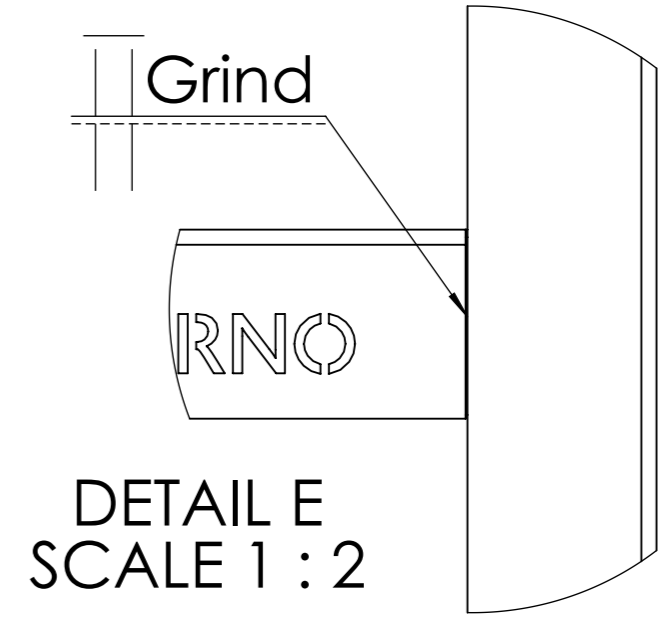
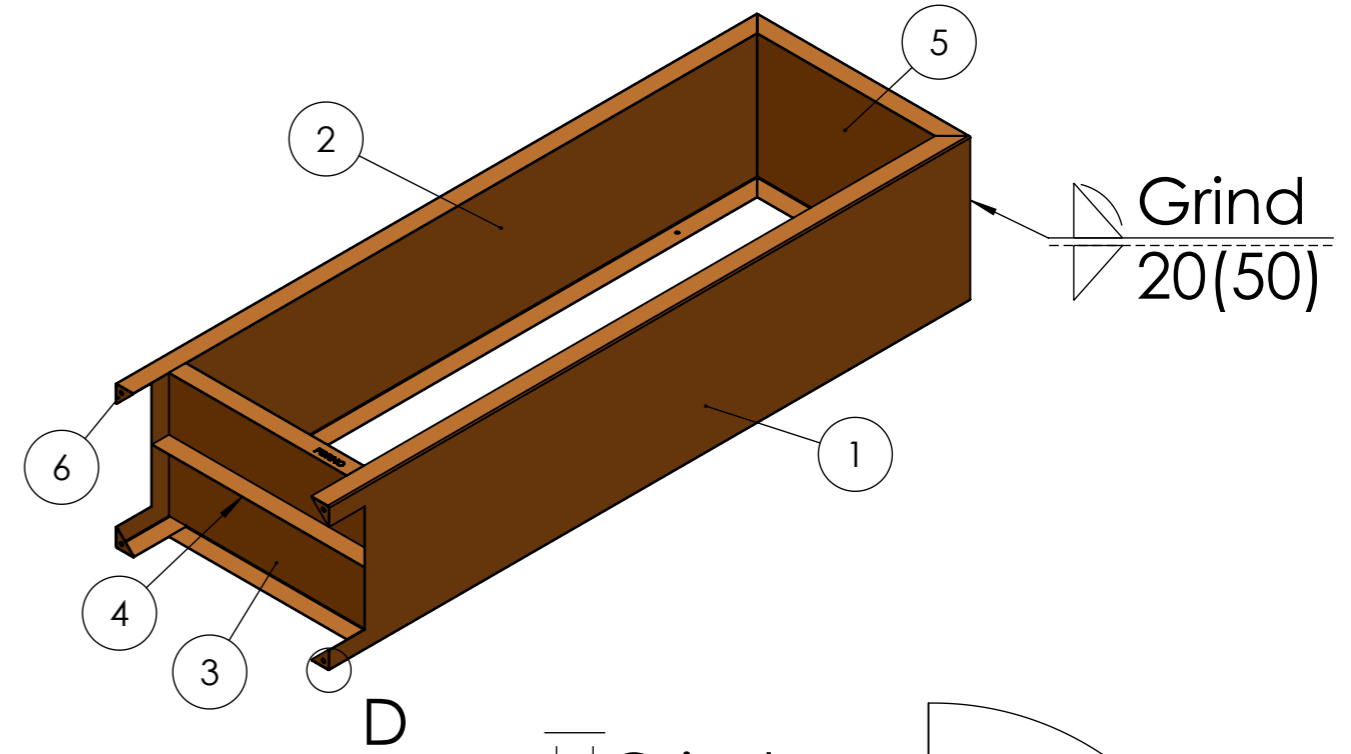
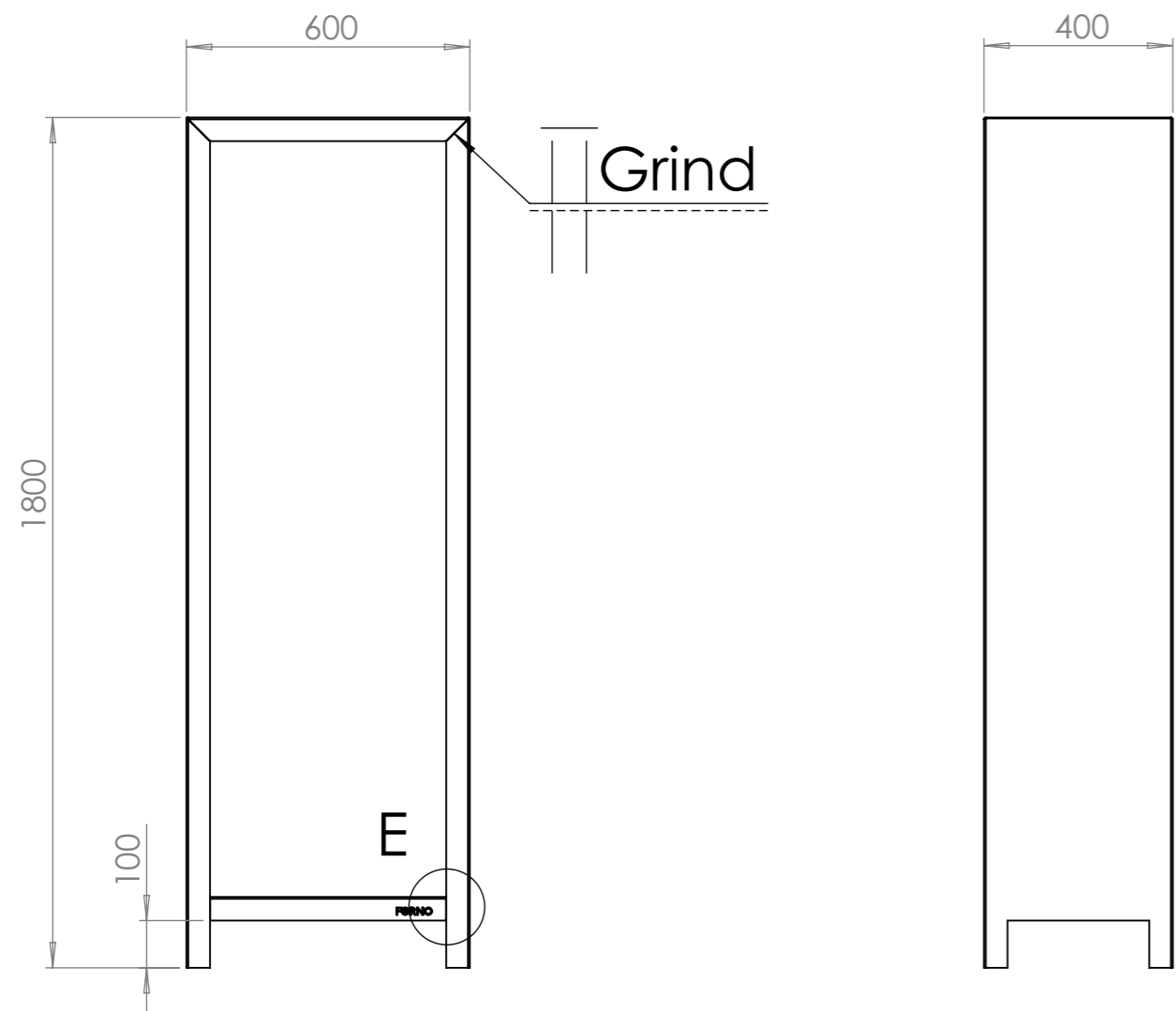


DETAIL G  
SCALE 1 : 5

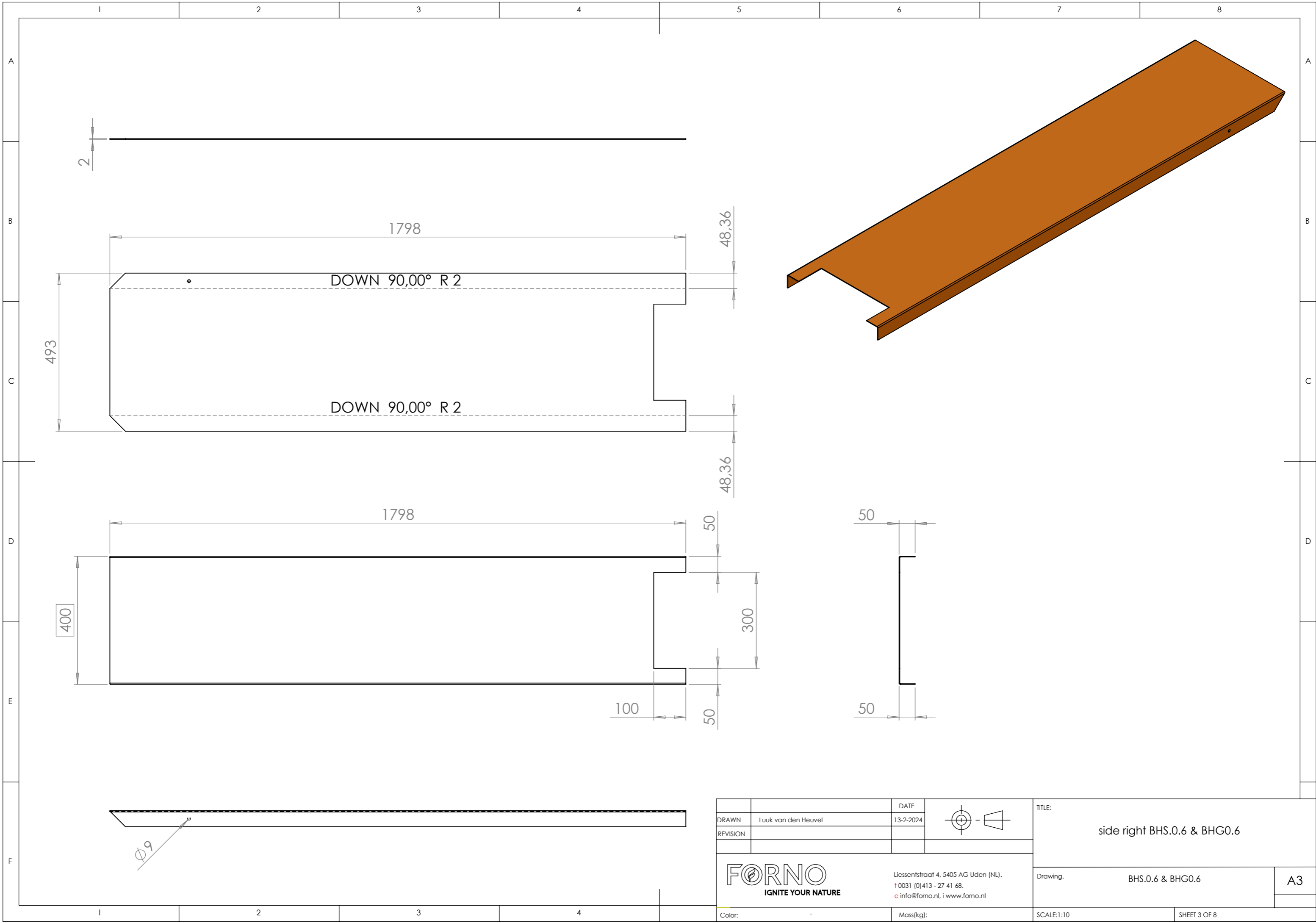


DRAWN	Luuk van den Heuvel	DATE	13-2-2024		TITLE:	2mm Corten	
REVISION					Drawing:	BHS.0.6 & BHG0.6	A3
				Liessentstraat 4, 5405 AG Uden (NL). † 0031 (0)413 - 27 41 68. e info@forno.nl, i www.forno.nl		SCALE:1:15	SHEET 1 OF 8
Color:	-	Mass(kg):	36,12				

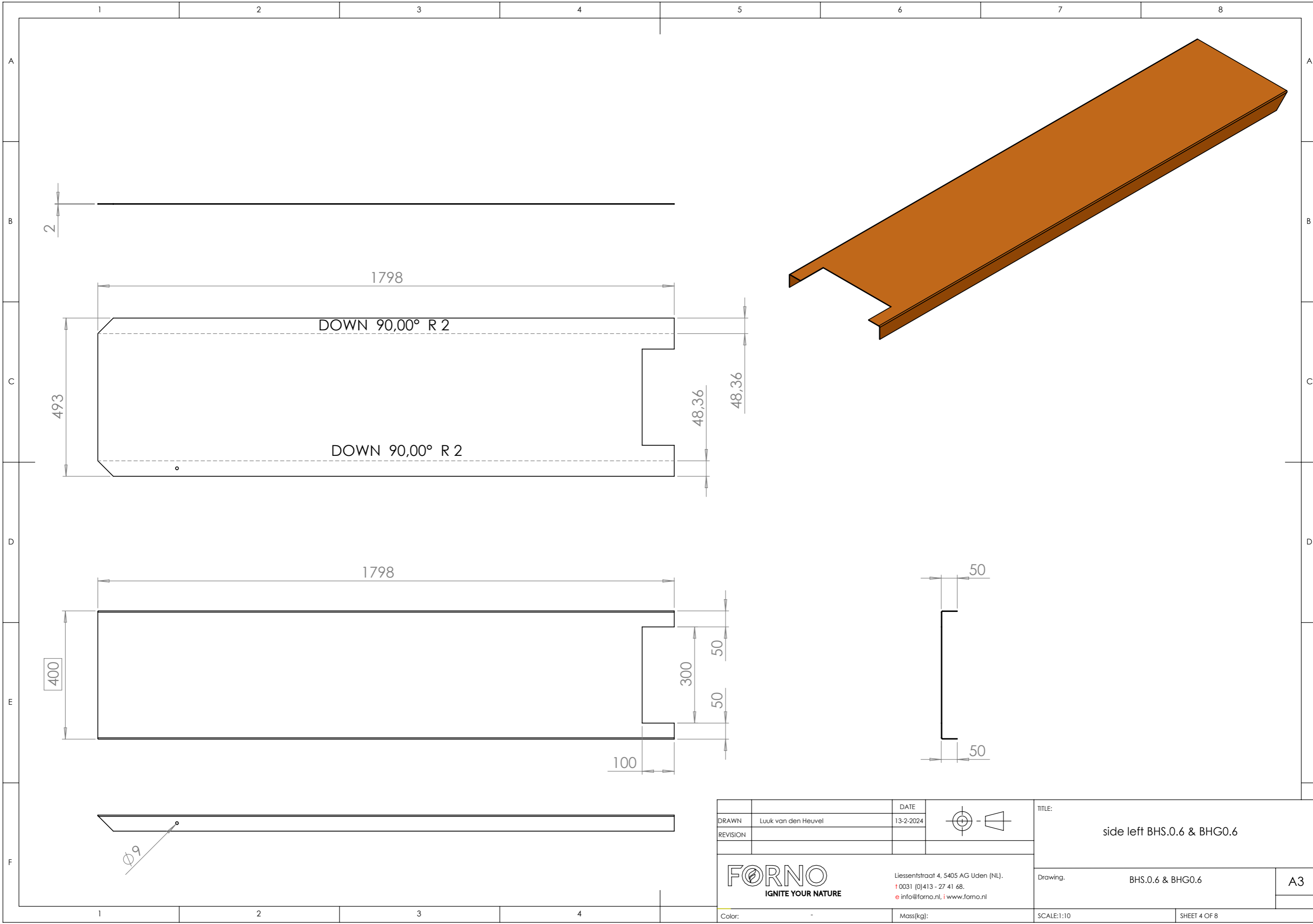


ITEM NO.	PART NUMBER	THICKNESS	DESCRIPTION	QTY.
1	side right BHS.0.6 & BHG0.6	2mm	Corten	1
2	side left BHS.0.6 & BHG0.6	2mm	Corten	1
3	bottomplate BHS.0.6 & BHG0.6	2mm	Corten	1
4	strip bottomplate BHS.0.6 & BHG0.6	2mm	Corten	1
5	topplate BHS.0.6 & BHG0.6	2mm	Corten	1
6	reinforcement leg BHS.0.6 & BHG0.6	2mm	Corten	4

DRAWN	Luuk van den Heuvel	DATE	13-2-2024		TITLE:	BHS.0.6 & BHG0.6	
REVISION					Drawing.	BHS.0.6 & BHG0.6	A3
				Liessentstraat 4, 5405 AG Uden (NL). † 0031 (0)413 - 27 41 68. e info@forno.nl, i www.forno.nl			
Color:	-	Mass(kg):	36,12	SCALE:	1:15	SHEET 2 OF 8	



		DATE		TITLE:	
DRAWN	Luuk van den Heuvel	13-2-2024		side right BHS.0.6 & BHG0.6	
REVISION					
			Liessentstraat 4, 5405 AG Uden (NL). † 0031 (0)413 - 27 41 68. e info@forno.nl, i www.forno.nl		
Color: -		Mass(kg):	SCALE:1:10	Drawing:	BHS.0.6 & BHG0.6
					A3
					SHEET 3 OF 8



DRAWN	Luuk van den Heuvel	DATE	13-2-2024	
REVISION				

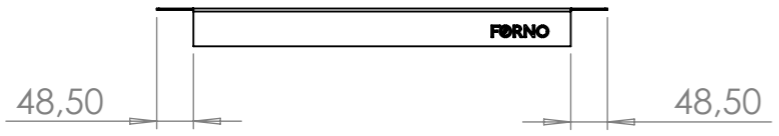
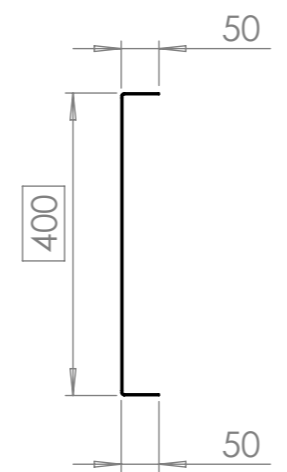
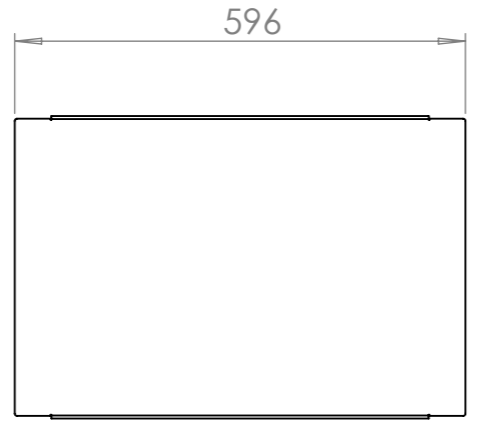
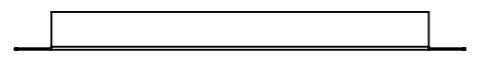
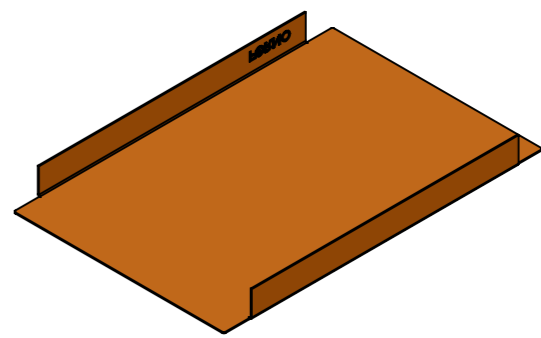
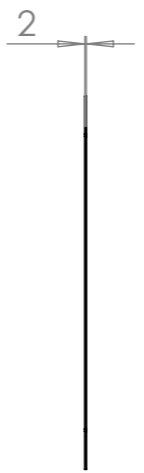
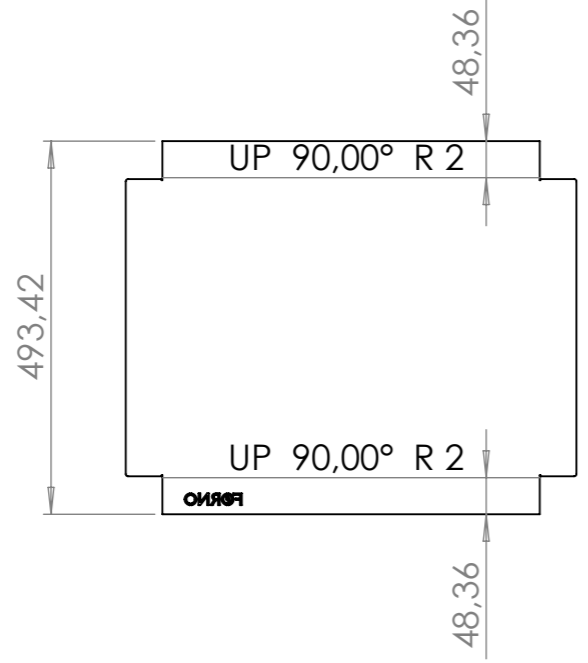
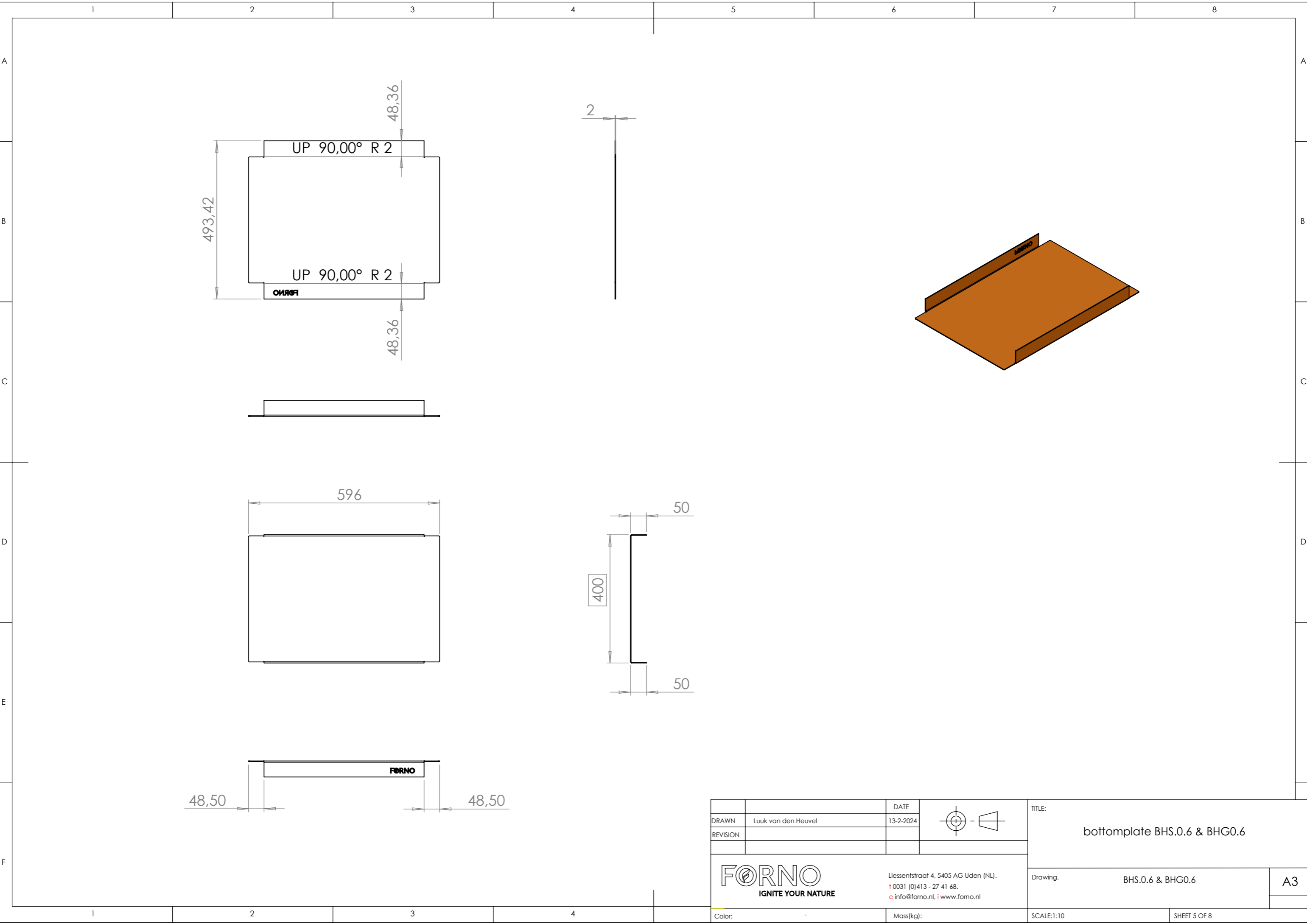
TITLE: side left BHS.0.6 & BHG0.6

**FORNO**  
IGNITE YOUR NATURE

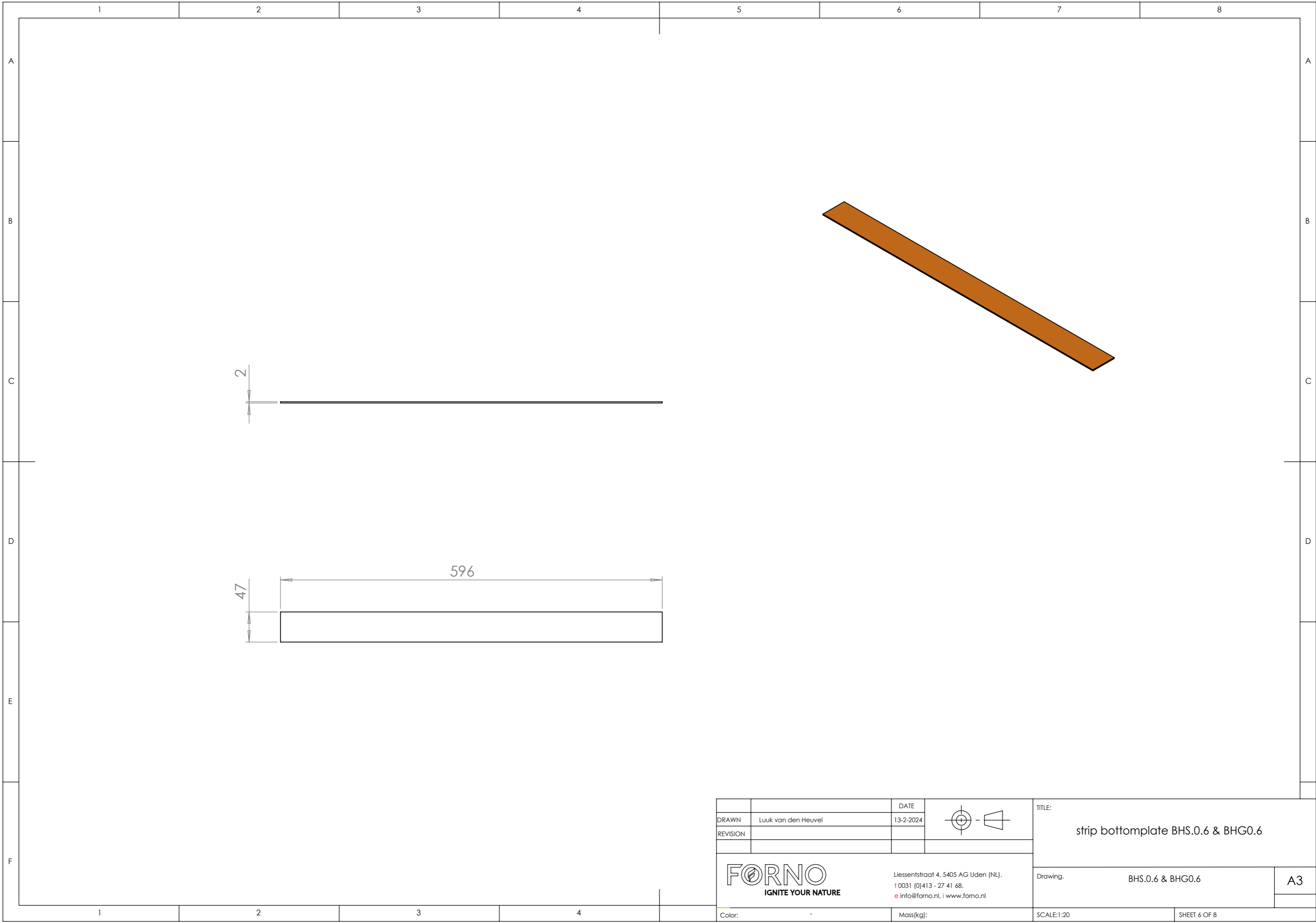
Liessentstraat 4, 5405 AG Uden (NL).  
 † 0031 (0)413 - 27 41 68.  
 e info@forno.nl, i www.forno.nl

Drawing: BHS.0.6 & BHG0.6

A3



		DATE		TITLE:	
DRAWN	Luuk van den Heuvel	13-2-2024		bottomplate BHS.0.6 & BHG0.6	
REVISION				Drawing:	BHS.0.6 & BHG0.6
			Liessentstraat 4, 5405 AG Uden (NL). † 0031 (0)413 - 27 41 68. e info@forno.nl, i www.forno.nl		A3
Color:	-	Mass(kg):	SCALE:1:10	SHEET 5 OF 8	



		DATE	
DRAWN	Luuk van den Heuvel	13-2-2024	
REVISION			

TITLE:  
strip bottomplate BHS.0.6 & BHG0.6

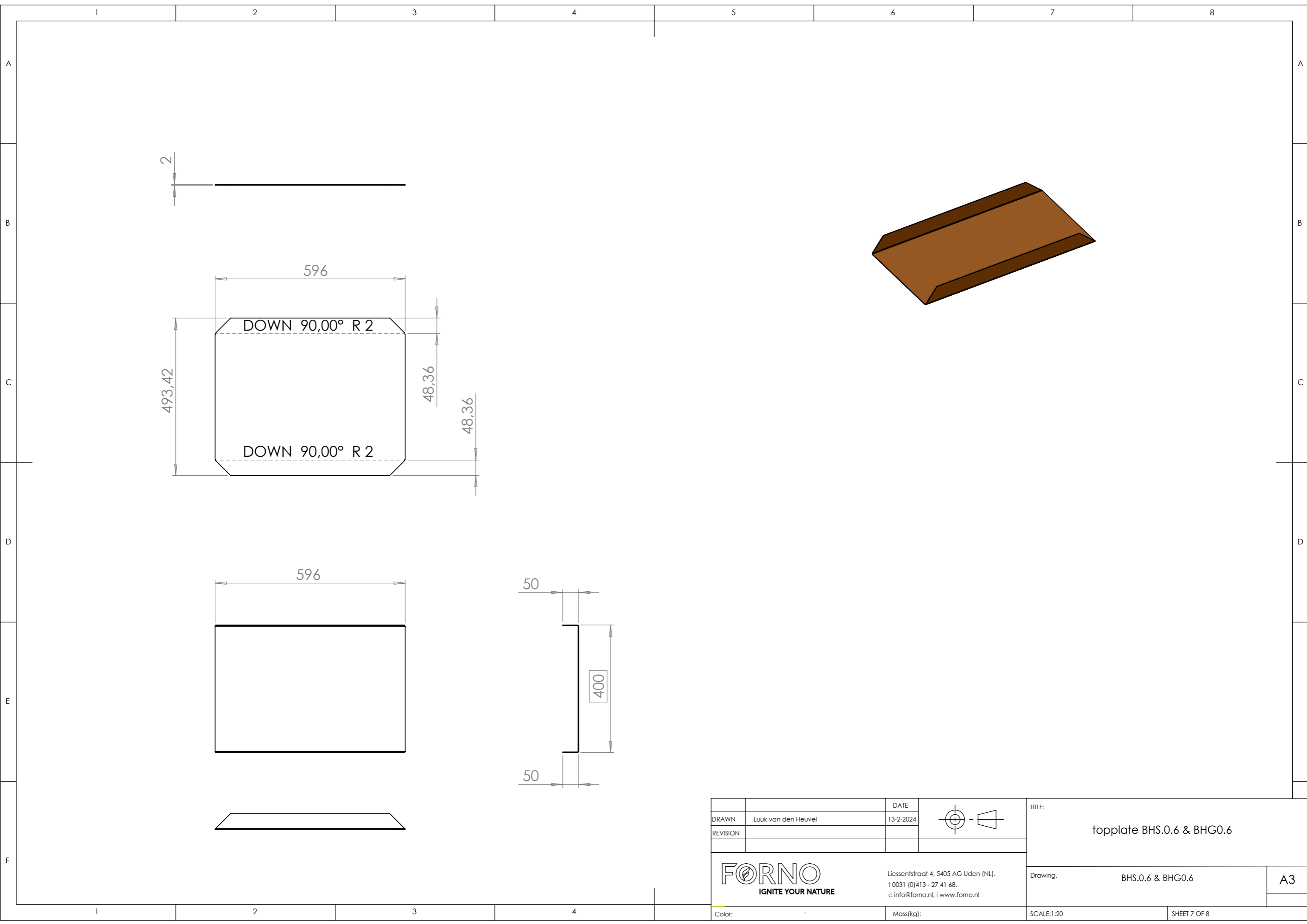
**FORNO**  
IGNITE YOUR NATURE

Liessentstraat 4, 5405 AG Uden (NL).  
 † 0031 (0)413 - 27 41 68.  
 e info@forno.nl, i www.forno.nl

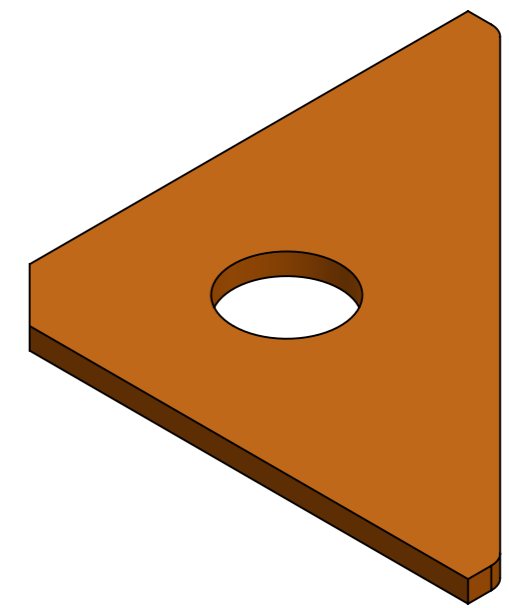
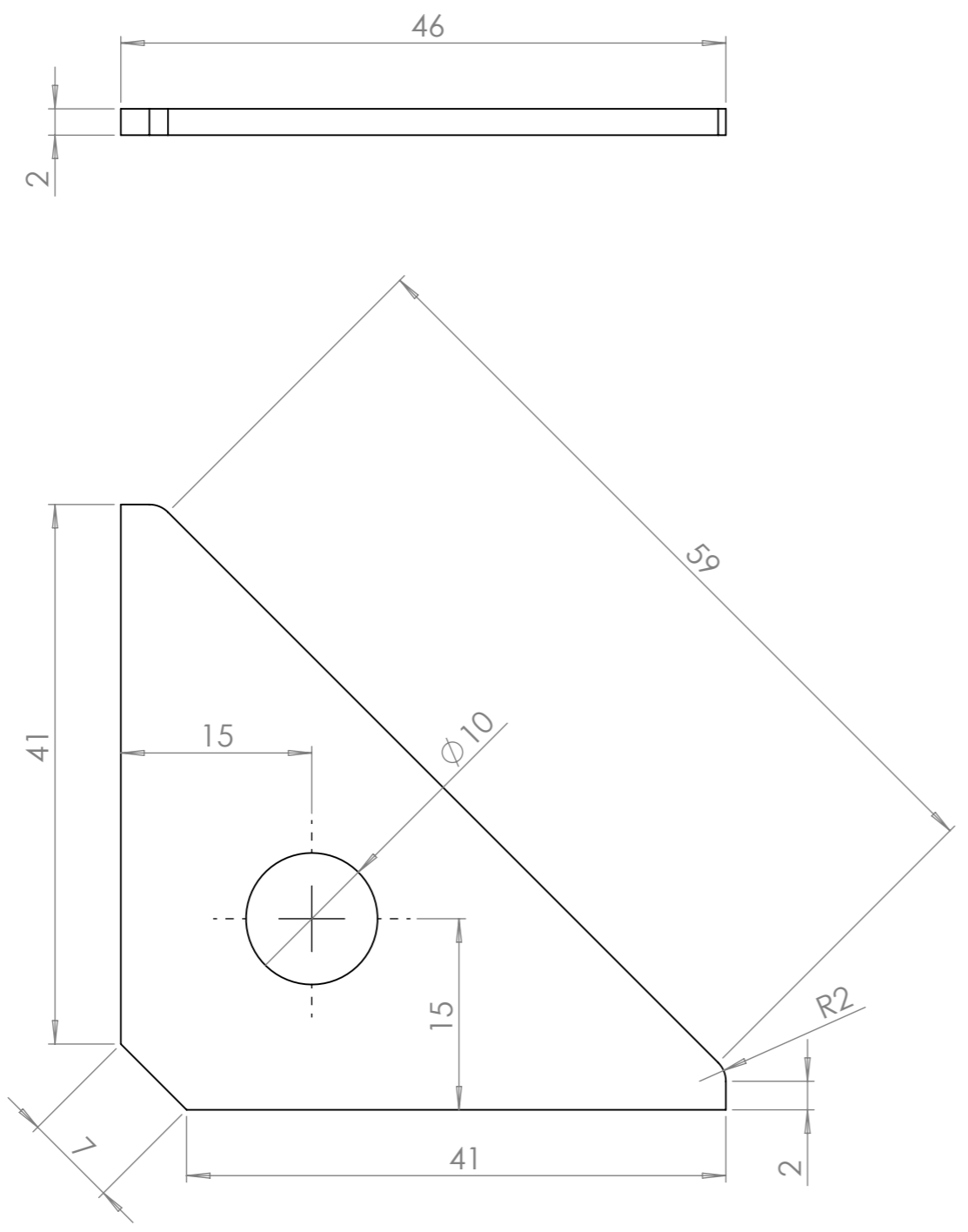
Drawing: BHS.0.6 & BHG0.6

A3

Color: -	Mass(kg):	SCALE:1:20	SHEET 6 OF 8
----------	-----------	------------	--------------



		DATE		TITLE:	
DRAWN	Luuk van den Heuvel	13-2-2024		topplate BHS.0.6 & BHG0.6	
REVISION				Drawing:	BHS.0.6 & BHG0.6
			Liessentstraat 4, 5405 AG Uden (NL). † 0031 (0)413 - 27 41 68. e info@forno.nl, i www.forno.nl		A3
Color:	-	Mass(kg):	SCALE:1:20	SHEET 7 OF 8	



		DATE		TITLE:	
DRAWN	Luuk van den Heuvel	13-2-2024		reinforcement leg BHS.0.6 & BHG0.6	
REVISION					
			Liessentstraat 4, 5405 AG Uden (NL). † 0031 (0)413 - 27 41 68. e info@forno.nl, i www.forno.nl		
Color: -		Mass(kg):	SCALE:1:20	Drawing: BHS.0.6 & BHG0.6	A3
			SHEET 8 OF 8		