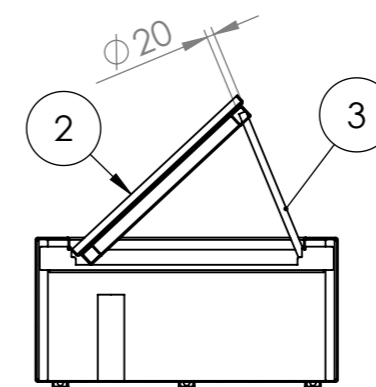
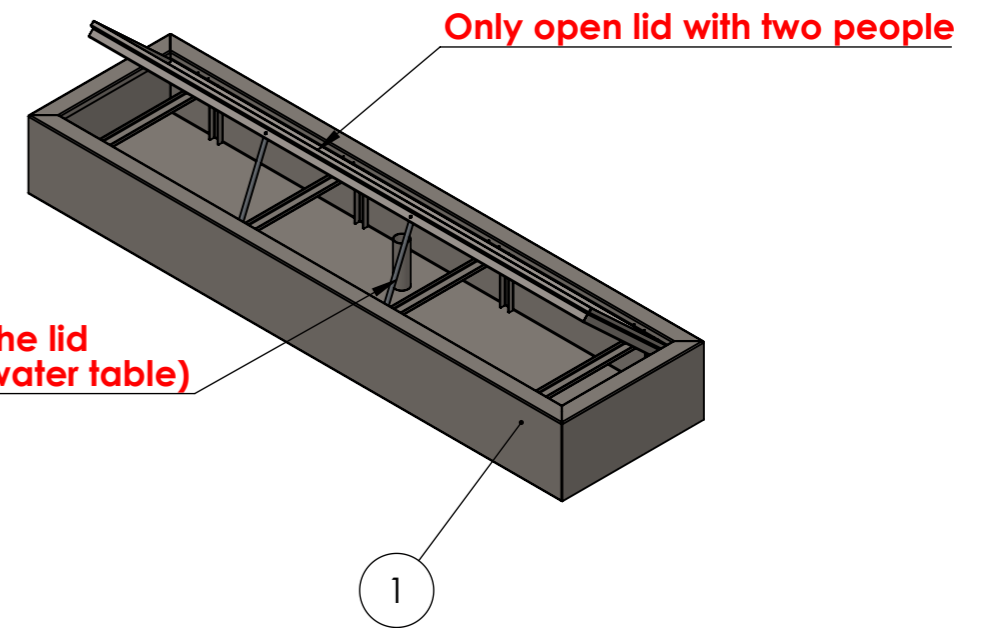
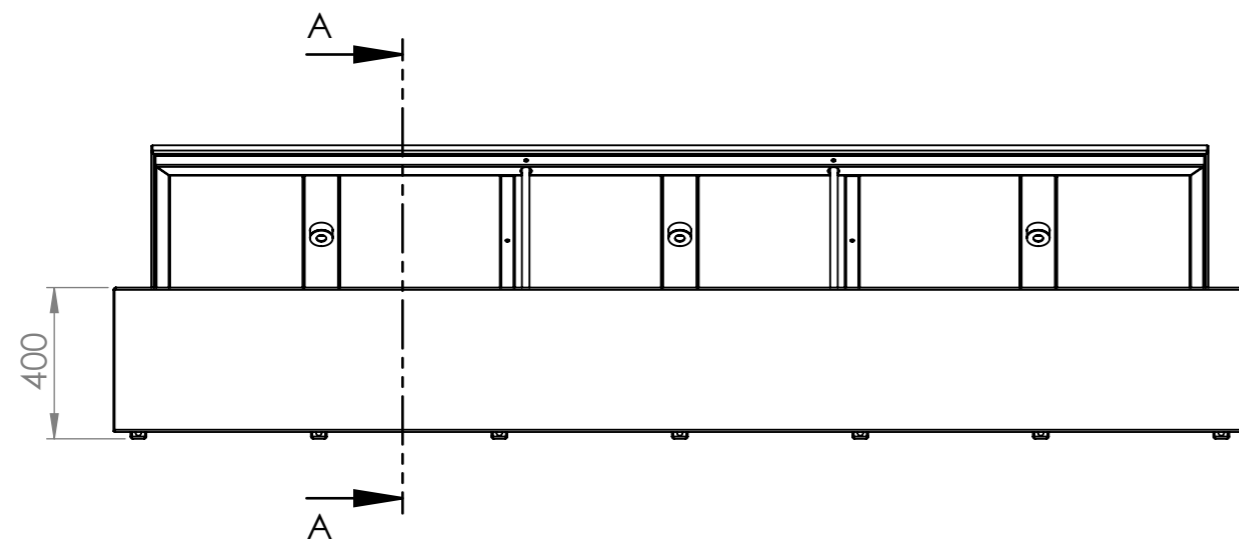
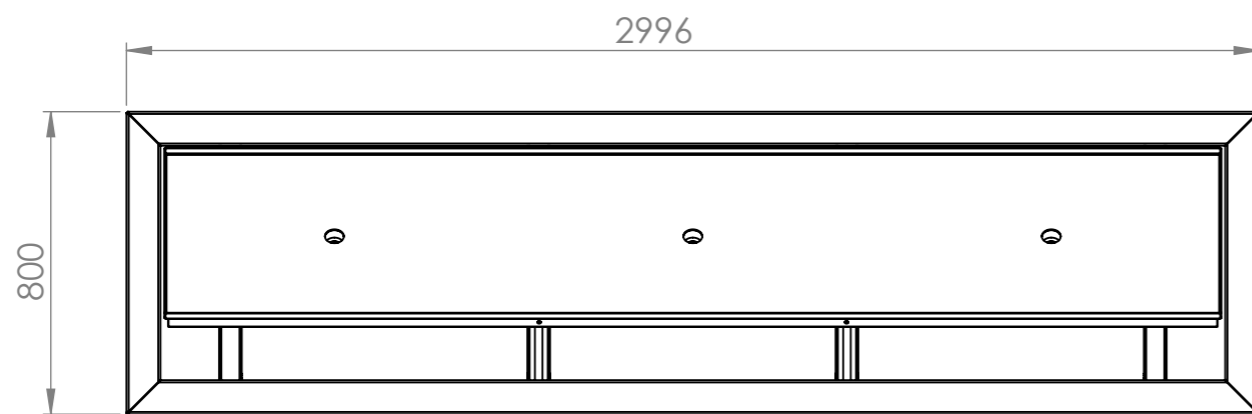




Ø70

DRAWN	Luuk van den Heuvel	DATE	10-5-2023		TITLE:	AB4.1. 3000x800x400	
REVISION					Drawing:	AB4.1.3000x800x400	A3
		Liessentstraat 4, 5405 AG Uden (NL). t 0031 (0)413 - 27 41 68. e info@adezz.com, i www.adezz.com		Color:	-	Mass (kg):	80.36
				SCALE:1:20	SHEET 1 OF 19		



SECTION A-A

ITEM NO.	PART NUMBER	THICKNESS	DESCRIPTION	QTY.
1	AB4.1.Base	3 mm	Aluminum	1
2	-AB4.1. Cover and Cover frame	3mm	Aluminum	1
3	AB4.1.Support 2		Adezz	2

DRAWN	Luuk van den Heuvel	DATE	10-5-2023		TITLE:	AB4.1. 3000x800x400	
REVISION					Drawing:	AB4.1.3000x800x400	A3
		Liessentstraat 4, 5405 AG Uden (NL). † 0031 (0)413 - 27 41 68. e info@adezz.com, i www.adezz.com		Color:	-	Mass (kg):	80.36
				SCALE:1:30	SHEET 2 OF 19		