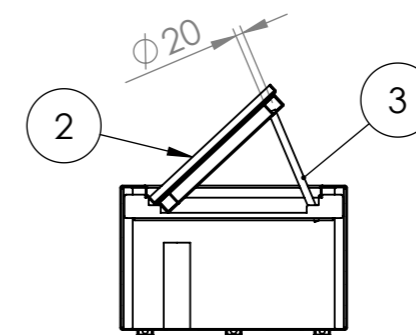
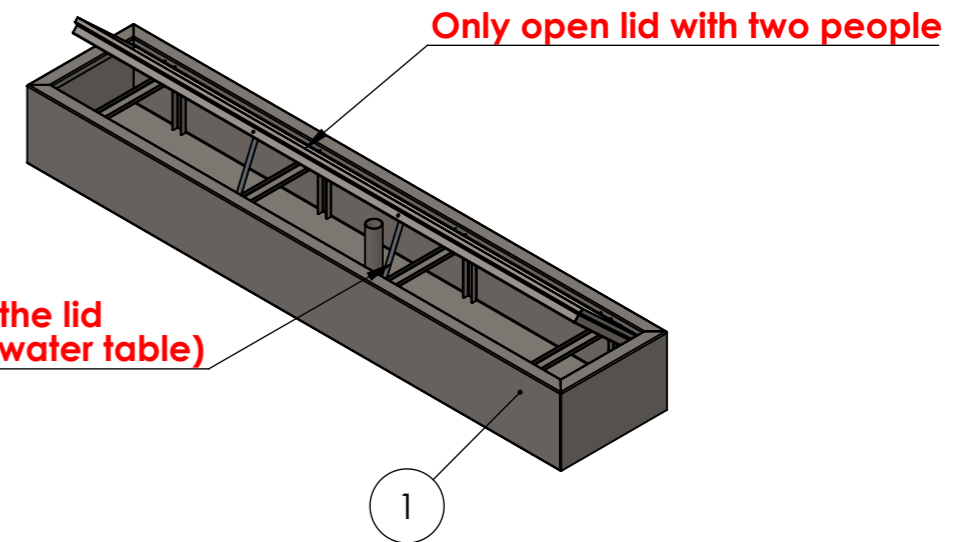
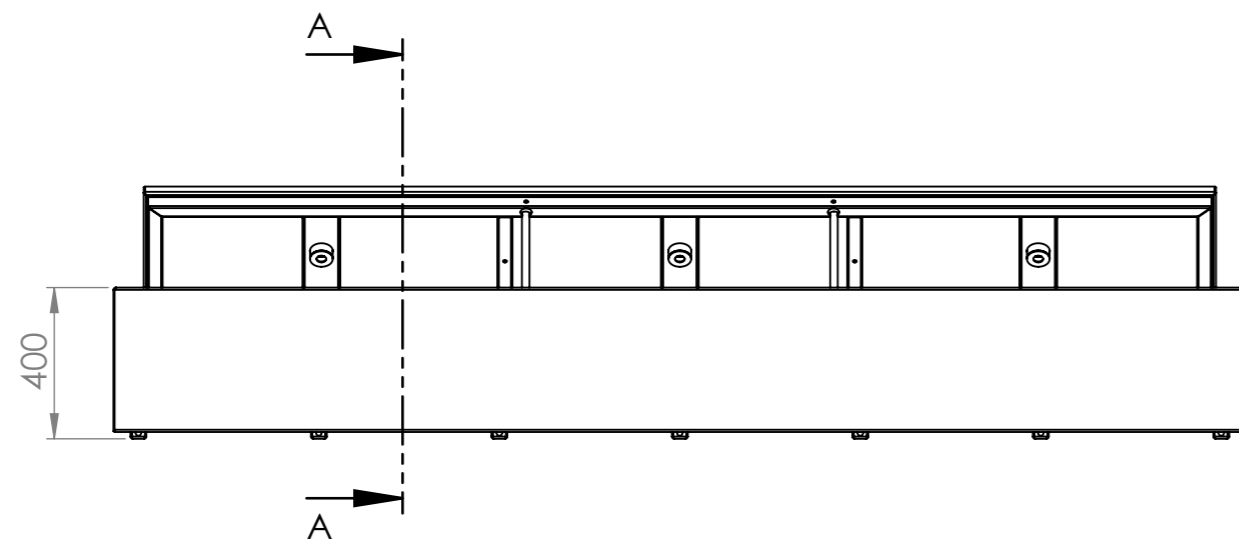
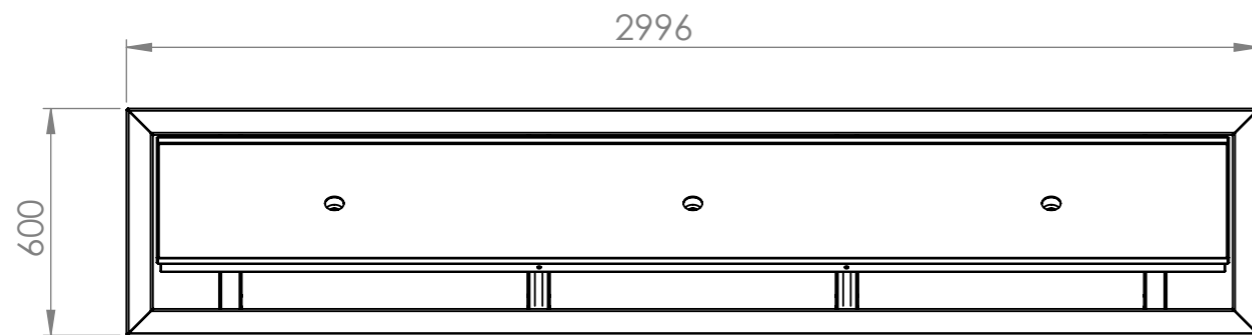




DRAWN	Luuk van den Heuvel	DATE	10-5-2023		TITLE:		
REVISION					AB4.2. 3000x600x400		
				Liessentstraat 4, 5405 AG Uden (NL). t 0031 (0)413 - 27 41 68. e info@adezz.com, i www.adezz.com		Drawing:	
Color: -				Mass (kg):	67.41	AB4.2.3000x600x400	A3
				SCALE:1:20	SHEET 1 OF 19		



SECTION A-A

ITEM NO.	PART NUMBER	THICKNESS	DESCRIPTION	QTY.
1	AB4.2.Base	3 mm	Aluminum	1
2	-AB4.2. Cover and Cover frame	3mm	Aluminum	1
3	AB4.2.Support 2		Adezz	2

DRAWN	Luuk van den Heuvel	DATE	10-5-2023		TITLE:	AB4.2. 3000x600x400	
REVISION					Drawing:	AB4.2.3000x600x400	A3
				Liessentstraat 4, 5405 AG Uden (NL). † 0031 (0)413 - 27 41 68. e info@adezz.com, i www.adezz.com		Color:	-
				Mass (kg):	67.41	SCALE:1:30	SHEET 2 OF 19