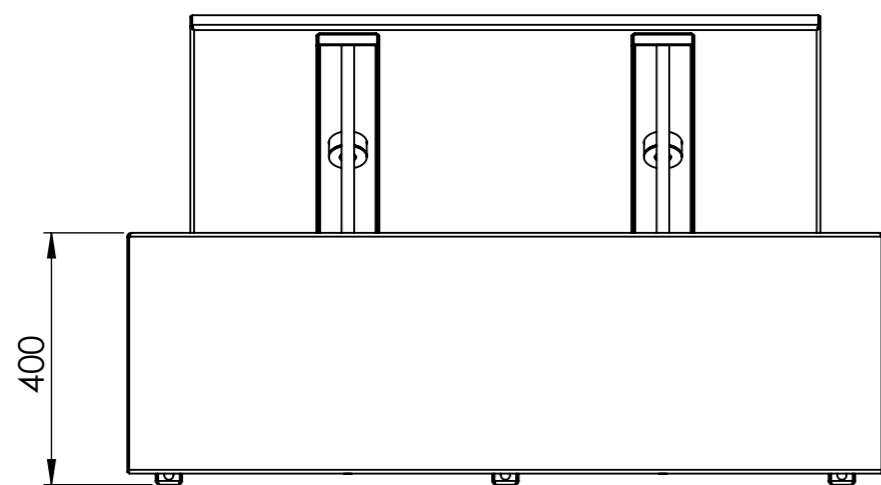
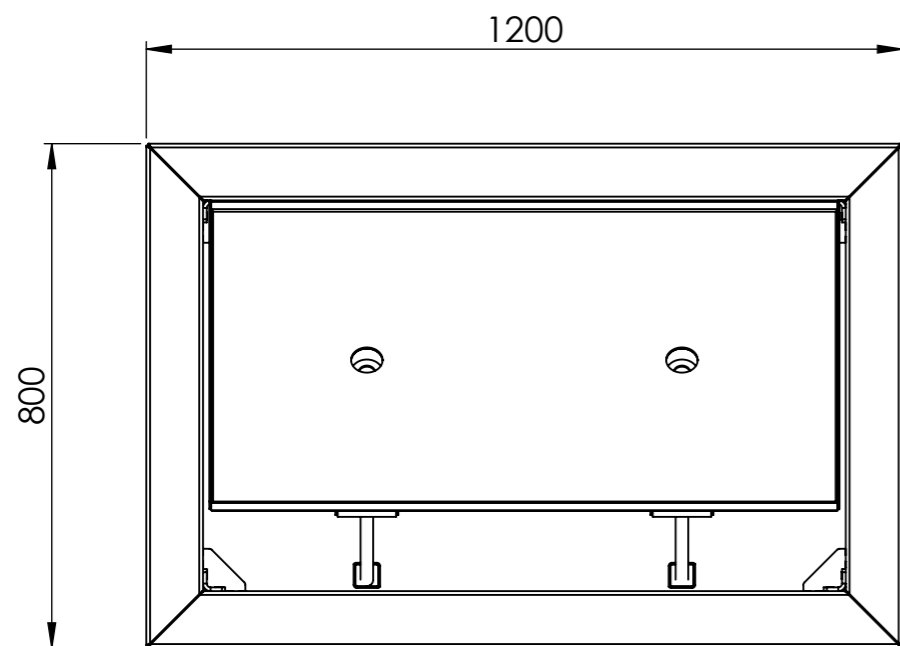
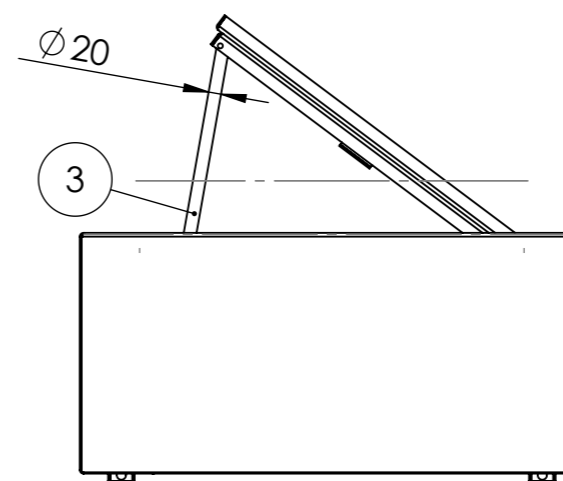
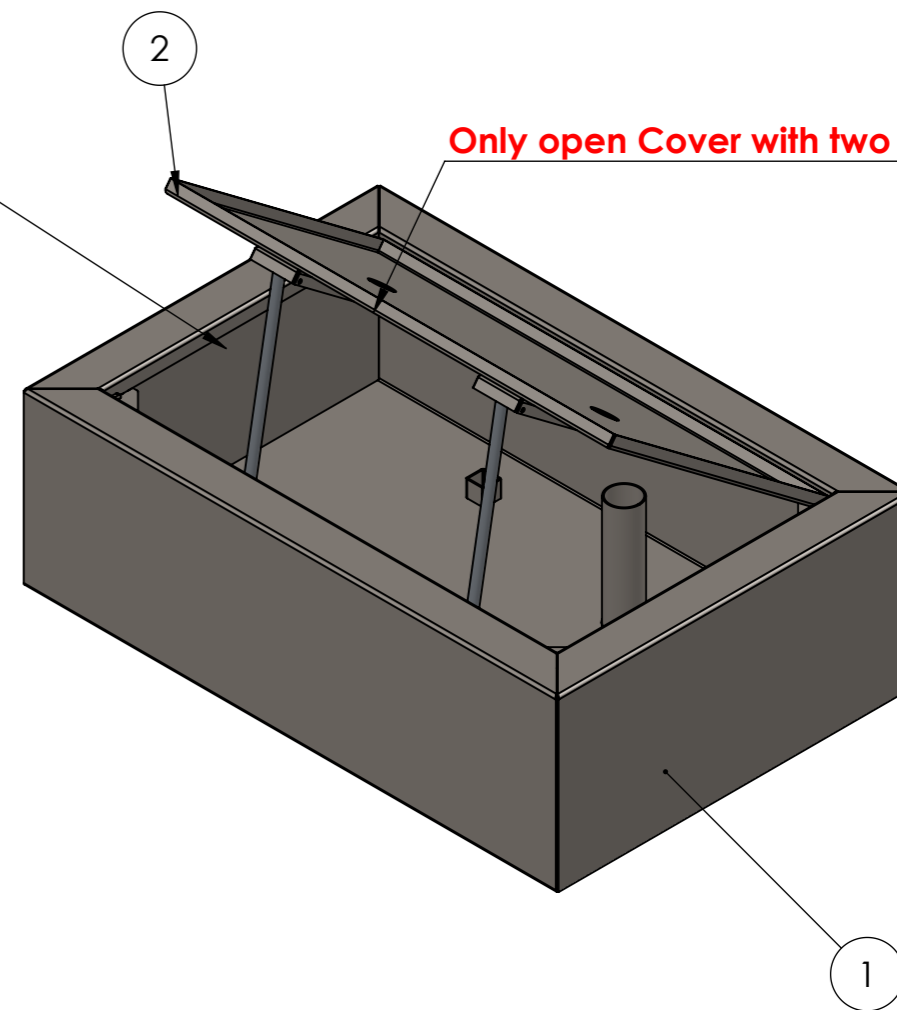


		DATE		TITLE:	AB7.1.-
DRAWN	Luuk van den Heuvel	30-5-2023			
REVISION	Rick Dortmans	16-9-2025		Drawing:	AB7.1.
			Liessentstraat 4, 5405 AG Uden (NL). † 0031 (0)413 - 27 41 68. e info@adezz.com, i www.adezz.com		A3
Color:		Mass (kg):	<b>30.80</b>	SCALE:1:13	SHEET 1 OF 17



Only use supplied support rods to support the cover  
(store these rods well, outside the water table)

Only open Cover with two people



ITEM NO.	PART NUMBER	THICKNESS	DESCRIPTION	QTY.
1	AB7.1.-Base	3 mm	Aluminum	1
2	AB7.1.-Cover	3 mm	Aluminum	1
3	AB7.1.-support 2		Adezz	2

DRAWN	Luuk van den Heuvel	DATE	30-5-2023
REVISION	Rick Dortmans	DATE	16-9-2025



TITLE:

AB7.1.-

**ADEZZ**  
DESIGN TO GROW

Liessentstraat 4, 5405 AG Uden (NL).  
t 0031 (0)413 - 27 41 68.  
e info@adezz.com, i www.adezz.com

Drawing.

AB7.1.

A3

Color:

Mass (kg): **30.80**

SCALE:1:12

SHEET 2 OF 17