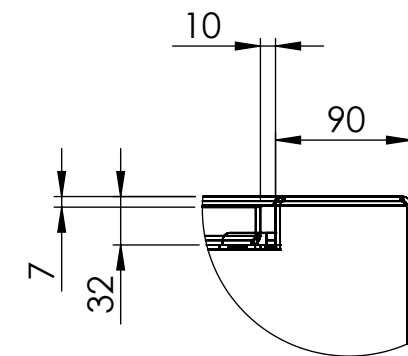
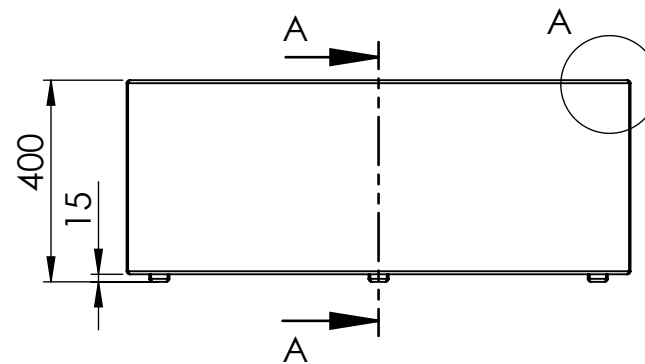
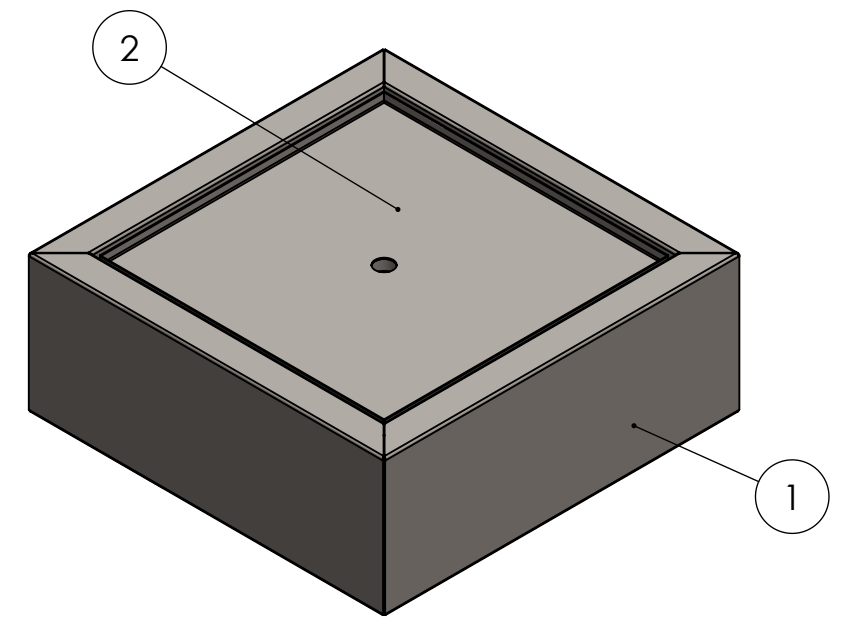
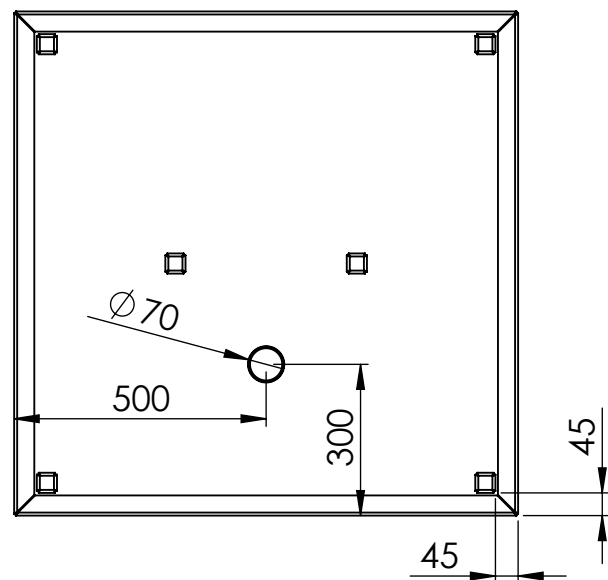


SECTION A-A



DETAIL A  
SCALE 1 : 5

ITEM NO.	PART NUMBER	Thickness	DESCRIPTION	Default/QTY.
1	AB12.-Base	3 mm	Aluminum	1
2	AB12.-Cover	3 mm	Aluminum	1

DRAWN	Luuk van den Heuvel	DATE	23-11-2020
REVISION			



TITLE:	3 mm Aluminium	
Drawing:	AB12.	A3

**ADEZZ**<sup>®</sup>  
WE PRODUCE GARDEN PRODUCTS FOR PROFESSIONALS

Liessentstraat 4, 5405 AG Uden (NL).  
t 0031 (0)413 - 27 41 68.  
e info@adezz.com, i www.adezz.com