



ADEZZ

DESIGN TO GROW

CARREZ connect

CARREZ Connect

This planter with square corners looks great in gardens with clean lines. The sleek, double-turned edge gives it a sturdy appearance. The CARREZ is also ideal for use as a divider in hospitality venues.

Note! The CARREZ connect is a self-assembly product. You have to assemble this planter yourself.





Models

The CARREZ connect comes without a bottom by default. Would you like to add a bottom? Order it separately. In the table below, you can see which bottom corresponds to each planter. Table A is for the CARREZ connect planter, and Table B is for the separate bottom. Click on the image to go to the product.

For any questions, click on the email address below.

customersupport@adezz.com

A.				KG	B.			KG
CAWC4.1	1200	1200	800	83	CAWCB4	1200	1200	22
CAWC4.2	1200	1200	600	63	CAWCB4	1200	1200	22
CAWC4.3	1200	1200	400	42	CAWCB4	1200	1200	22
CAWC5.1	1000	1000	800	63	CAWCB5	1000	1000	16
CAWC5.2	1000	1000	600	49	CAWCB5	1000	1000	16
CAWC5.3	1000	1000	400	36	CAWCB5	1000	1000	16
CAWC6.1	800	800	800	52	CAWCB6	800	800	10
CAWC6.2	800	800	600	40	CAWCB6	800	800	10
CAWC6.3	800	800	400	29	CAWCB6	800	800	10
CAWC7	700	700	700	41	CAWCB7	700	700	8
CAWC8	600	600	600	32	CAWCB8	600	600	6
CAWC9	500	500	500	23	CAWCB9	500	500	4
CAWC9.1	500	500	800	35	CAWCB9	500	500	4
CAWC10	400	400	400	15	CAWCB10	400	400	2
CAWC10.1	400	400	600	22	CAWCB10	400	400	2
CAWC10.2	400	400	800	28	CAWCB10	400	400	2
CAWC22	2000	500	600	64	CAWCB22 & 23	2000	500	15
CAWC22.1	1500	500	600	52	CAWCB22.1 & 23.1	1500	500	11
CAWC22.2	1200	500	600	45	CAWCB22.2 & 23.2	1200	500	9

A.

CORTEN STEEL CARREZ CONNECT

CAWC22.3	1000	500	600	38	CAWCB22.3 & 23.3	1000	500	15
CAWC23	2000	500	500	55	CAWCB22 & 23	2000	500	15
CAWC23.1	1500	500	500	44	CAWCB22.1 & 23.1	1500	500	11
CAWC23.2	1200	500	500	37	CAWCB22.2 & 23.2	1200	500	9
CAWC23.3	1000	500	500	33	CAWCB22.3 & 23.3	1000	500	15
CAWC24	2000	400	800	80	CAWCB24 & 25	2000	400	12
CAWC24.1	1500	400	800	66	CAWCB24.1 & 25.1	1500	400	9
CAWC24.2	1200	400	800	56	CAWCB24.2 & 25.2	1200	400	7
CAWC24.3	1000	400	800	50	CAWCB24.3 & 25.3	1000	400	12
CAWC24.4	800	400	800	40	CAWCB24.4 & 25.4	800	400	9
CAWC25	2000	400	400	44	CAWCB24 & 25	2000	400	12
CAWC25.1	1500	400	400	35	CAWCB24.1 & 25.1	1500	400	9
CAWC25.2	1200	400	400	29	CAWCB24.2 & 25.2	1200	400	7
CAWC25.3	1000	400	400	26	CAWCB24.3 & 25.3	1000	400	12
CAWC25.4	800	400	400	23	CAWCB24.4 & 25.4	800	400	9
CAWC26.2	900	300	800	39	CAWCB26.2	900	300	8

B.

BOTTOM CARREZ CONNECT



Models

The CARREZ connect comes without a bottom by default. Would you like to add a bottom? Order it separately. In the table below, you can see which bottom corresponds to each planter. Table A is for the CARREZ connect planter, and Table B is for the separate bottom. Click on the image to go to the product.

For any questions, click on the email address below.

customersupport@adezz.com

A.				KG	B.			KG
VGWC4.1	1200	1200	800	82	VGWCB4	1200	1200	11
VGWC4.2	1200	1200	600	64	VGWCB4	1200	1200	11
VGWC4.3	1200	1200	400	42	VGWCB4	1200	1200	11
VGWC5.1	1000	1000	800	63	VGWCB5	1000	1000	8
VGWC5.2	1000	1000	600	49	VGWCB5	1000	1000	8
VGWC5.3	1000	1000	400	36	VGWCB5	1000	1000	8
VGWC6.1	800	800	800	52	VGWCB6	800	800	5
VGWC6.2	800	800	600	40	VGWCB6	800	800	5
VGWC6.3	800	800	400	29	VGWCB6	800	800	5
VGWC7	700	700	700	41	VGWCB7	700	700	4
VGWC8	600	600	600	32	VGWCB8	600	600	3
VGWC9	500	500	500	23	VGWCB9	500	500	4
VGWC9.1	500	500	800	35	VGWCB9	500	500	4
VGWC10	400	400	400	15	VGWCB10	400	400	2
VGWC10.1	400	400	600	22	VGWCB10	400	400	2
VGWC10.2	400	400	800	28	VGWCB10	400	400	2
VGWC22	2000	500	600	65	VGWCB22 & 23	2000	500	8
VGWC22.1	1500	500	600	52	VGWCB22.1 & 23.1	1500	500	6
VGWC22.2	1200	500	600	45	VGWCB22.2 & 23.2	1200	500	5

A.

COATED STEEL CARREZ CONNECT

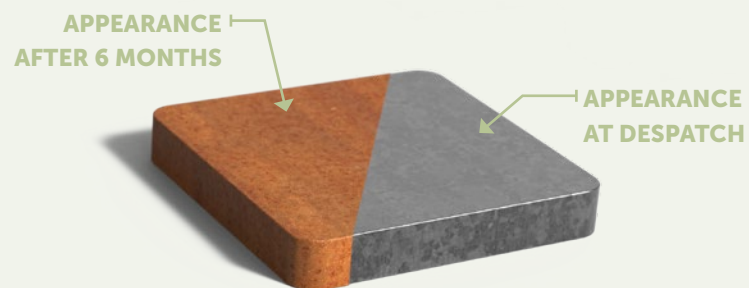
VGWC22.3	1000	500	600	39	VGWCB22.3 & 23.3	1000	500	7
VGWC23	2000	500	500	56	VGWCB22 & 23	2000	500	8
VGWC23.1	1500	500	500	45	VGWCB22.1 & 23.1	1500	500	6
VGWC23.2	1200	500	500	37	VGWCB22.2 & 23.2	1200	500	5
VGWC23.3	1000	500	500	33	VGWCB22.3 & 23.3	1000	500	7
VGWC24	2000	400	800	79	VGWCB24 & 25	2000	400	6
VGWC24.1	1500	400	800	65	VGWCB24.1 & 25.1	1500	400	5
VGWC24.2	1200	400	800	55	VGWCB24.2 & 25.2	1200	400	4
VGWC24.3	1000	400	800	50	VGWCB24.3 & 25.3	1000	400	6
VGWC24.4	800	400	800	41	VGWCB24.4 & 25.4	800	400	5
VGWC25	2000	400	400	45	VGWCB24 & 25	2000	400	6
VGWC25.1	1500	400	400	36	VGWCB24.1 & 25.1	1500	400	5
VGWC25.2	1200	400	400	29	VGWCB24.2 & 25.2	1200	400	4
VGWC25.3	1000	400	400	26	VGWCB24.3 & 25.3	1000	400	6
VGWC25.4	800	400	400	23	VGWCB24.4 & 25.4	800	400	5
VGWC26.2	900	300	800	39	VGWCB26.2	900	300	4

B.

BOTTOM CARREZ CONNECT



Material corten steel



The CARREZ corten steel planter will add warmth and boldness to any garden, thanks to the orange-brown patina on the metal. This patina is formed by a natural layer of rust. Another name for corten steel is weathering steel: weather conditions have a positive effect on this planter.

Corten steel is a metal alloy made by adding copper, phosphorus, silicon, nickel and chromium to iron. When exposed to air, the material forms a protective layer of rust. This natural coating prevents further corrosion, extending the planter's life.

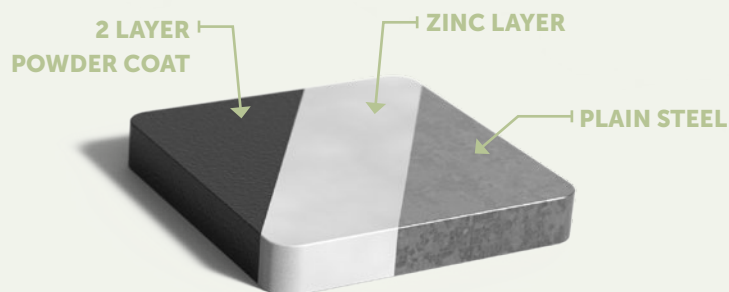
SPECIFICATIONS

- 5-year guarantee.
- Corten steel planters are very robust, hard-wearing, weatherproof, low-maintenance and durable.
- The corten steel has a standard thickness of 1,5 or 2 mm.
- This product is delivered ready for self-assembly.
- Includes bolts, nuts and assembly instructions.
- Products are delivered without rust. The corten steel rusting process takes about 4-5 months, depending on weather conditions.
- The rust can be fixed by applying Owatrol. This is a penetrating rust inhibitor that forms a protective anti-rust coating. Owatrol protects the planter and stops the rust on corten steel flaking off.

KEY POINTS TO NOTE

- Products should be unpacked immediately upon receipt to release any moisture trapped inside the packaging. If the product is left in its packaging, it may develop uneven rust patches.
- Ensure proper drainage.
- Do not use hydro pellets: they retain moisture.
- We do not recommend using corten steel within 2 km of a coastline.
- The weathering process may cause rust run-off.
- The guarantee expires if you drill or grind in a way that is not specified.

Material coated steel



The CARREZ connect coated steel planter gives gardens a timeless look. The planter's finish ensures that it is corrosion resistant and will last for many years outdoors.

We produce the CARREZ connect out of galvanised steel. Once constructed, the planter is given several finishing treatments. The metal is roughened to allow better adhesion of the powder coating. This is applied with a strong adhesive primer. Finally, the planter is finished with a hard topcoat of Qualicoat class 2. These layers ensure that the planter is of very high quality and scratch resistant.

Note! The separate bottoms and reinforcing materials (such as tension rods) are uncoated and made of galvanized steel.

SPECIFICATIONS

- 5-year guarantee.
- Coated steel planters are very robust, hard-wearing, durable, and resistant to corrosion.
- The planter is made of galvanised steel, which will be coated.
- The corten steel has a thickness of 1,5 or 2 mm.
- Scratch-resistant topcoat.
- This product is delivered ready for self-assembly.
- Available in RAL 7021, RAL 9005, and RAL 9016 as standard.

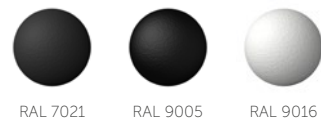
KEY POINTS TO NOTE

- Products should be unpacked immediately upon receipt to release any moisture trapped inside the packaging. This moisture can cause stains that are difficult to remove.
- For planters with a base: Keep the drainage holes clear so that excess water can run off.
- Clean annually by hosing dirt from the planter with clean tap water, then clean with detergent. Do not use a pressure washer and/or scouring pad. This damages the coating.
- The guarantee expires if you drill or grind in a way that is not specified.

RAL COLOURS

Standard RAL colours are RAL 7021, RAL 9005 and RAL 9016.

Note! Colours may vary from the image.



Assembly

CORTEN STEEL CARREZ CONNECT WITHOUT BOTTOM

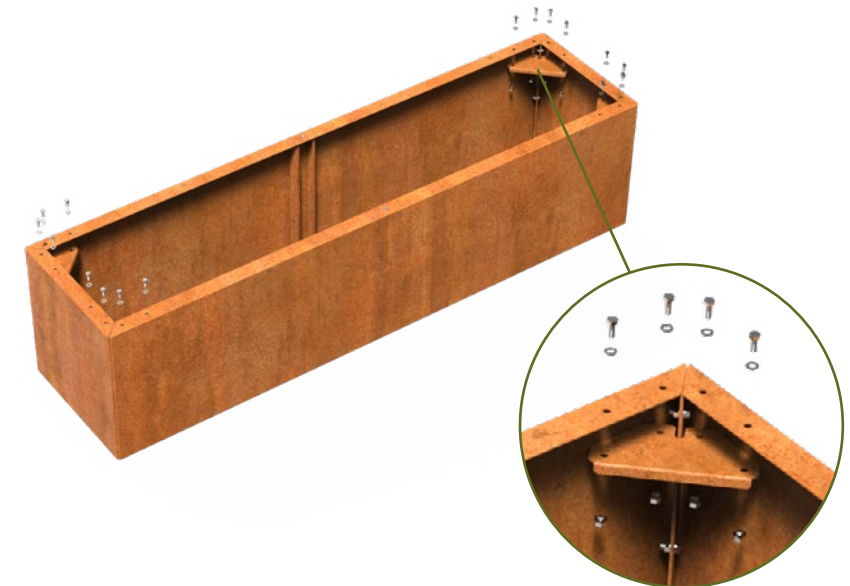
Our CARREZ connect comes as a self-assembling product. All the parts you need to assemble the product are included in the package. For the construction and shape stability of the \ product, mounting U-profiles and tie rods is essential. Therefore, always install these if they are included.

WALLS

1. It is important that the product is positioned on a firm, levelled surface. If the ground is not level, the weight of the planter will be unevenly distributed. This can cause stress damage.
2. Connect the 4 side panels while they are standing on their top edge on the ground. This means that the planter will only need to be turned once during construction.

CORNER PLATES

3. Use M8x20 bolts and tighten them until they are hand-tight. These can be tightened fully after fitting the corner plates.
4. If corner plates are supplied, attach these to the corners. They should be fitted to the inside of the planter, with the *raised edge towards the upper rim* of the planter.
5. Use M8x20 bolts and hand-tighten them first. Place the *bolts with the bolt heads facing up* so that the planter eventually stands on the bolt heads.
6. When all the bolts are in place, they can be fully tightened.

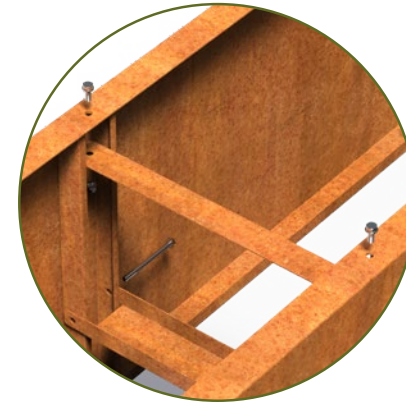


TIE RODS

7. Attach tie rods between the two long panels. If the planter you have ordered needs tie rods, these will be included. The tie rods provide essential structural stability to the planter and help it retain its shape.
8. Loosen the M8x20 bolts at the bottom of the planter and insert the lower tie rod (the top rod in the diagram) into the U-profiles.
9. Attach the second tie rod halfway up the planter using the M8x100.

FINISHED!

10. When all panels and profiles are attached and the bolts are tightened, turn the planter over. Follow the planting advice below to get the most out of this beautiful planter!



Assembly

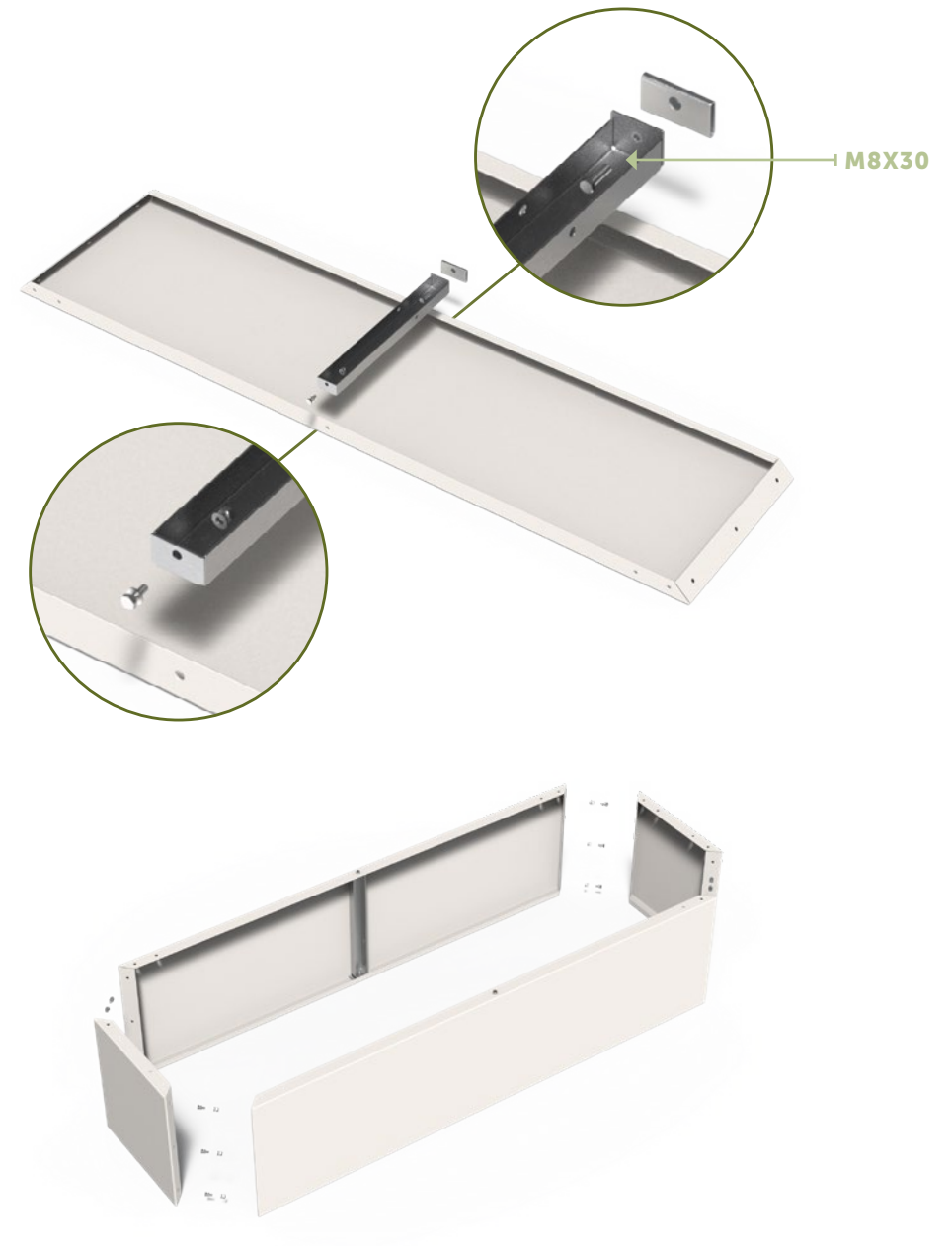
COATED STEEL CARREZ CONNECT WITHOUT BOTTOM

Our CARREZ connect comes as a self-assembling product. All the parts you need to assemble the product are included in the package. For the construction and shape stability of the product, mounting U-profiles and tie rods is essential. Therefore, always install these if they are included.

In addition, it is recommended to assemble the CARREZ coated connect on a soft surface, such as grass or a blanket, so that the planter does not scratch.

WALLS

1. It is important that the product is positioned on a firm, levelled surface. If the ground is not level, the weight of the planter will be unevenly distributed. This can cause stress damage.
2. Use an M8x30 bolt to attach the U-profile to the top. Use an M8x20 bolt combined with 2 washers and an M8 nut on the underside. Place the *bolts with the bolt heads facing up* so that the planter eventually stands on the bolt heads.
3. Connect the 4 side panels while they are standing on their top edge on the ground. This means that the planter will only need to be turned once during construction.



CORNER PLATES

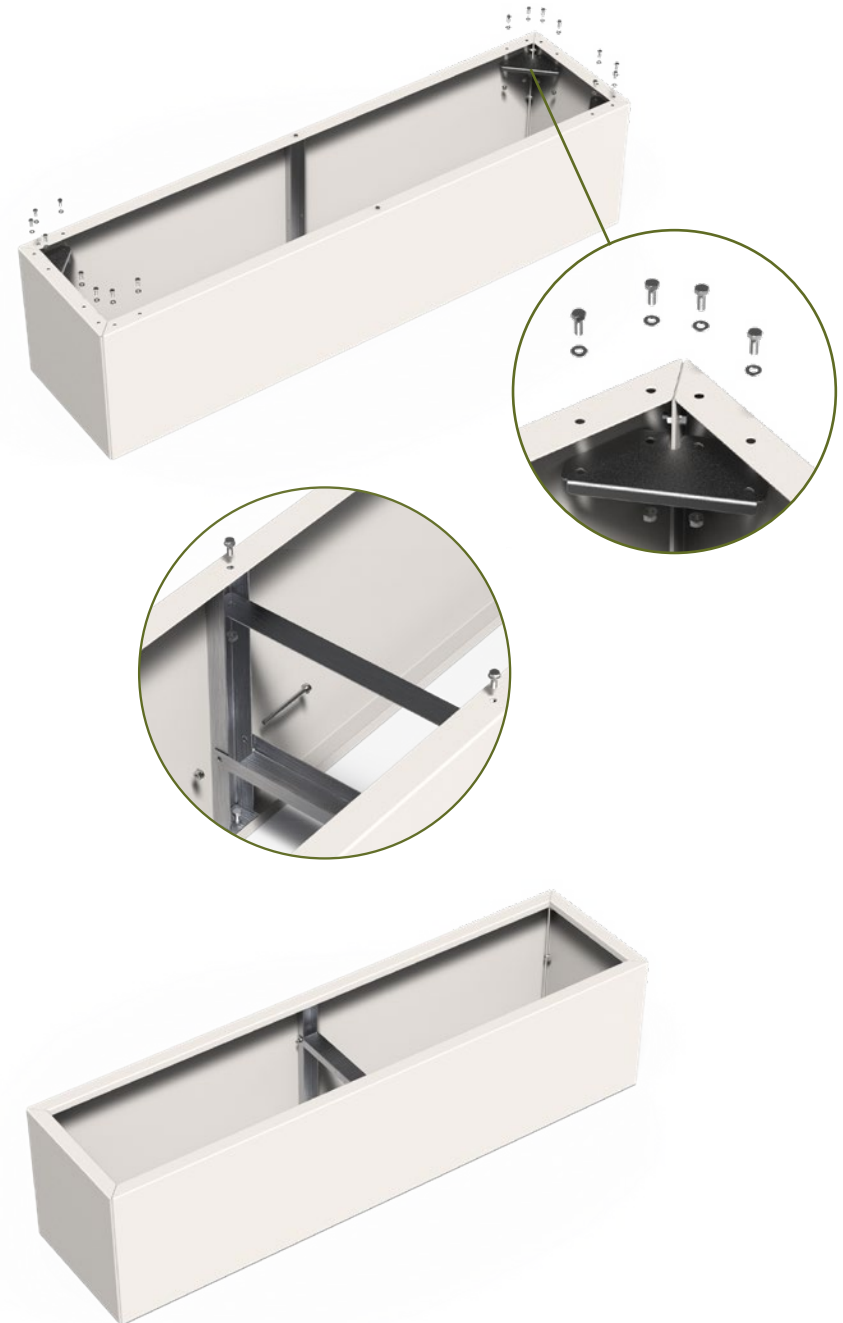
4. Use M8x20 bolts and tighten them until they are hand-tight. These can be tightened fully after fitting the corner plates.
5. If corner plates are supplied, attach these to the corners. They should be fitted to the inside of the planter, with the *raised edge towards the upper rim* of the planter.
6. Use M8x20 bolts and hand-tighten them first. Place the bolts with the *bolt heads facing up* so that the planter eventually stands on the bolt heads.
7. When all the bolts are in place, they can be fully tightened.

TIE RODS

8. Attach tie rods between the two long panels. If the planter you have ordered needs tie rods, these will be included. The tie rods provide essential structural stability to the planter and help it retain its shape.
9. Loosen the M8x20 bolts at the bottom of the planter and insert the lower tie rod (the top rod in the diagram) into the U-profiles.
10. Attach the second tie rod halfway up the planter using the M8x100.

FINISHED!

11. When all panels and profiles are attached and the bolts are tightened, turn the planter over. Follow the planting advice below to get the most out of this beautiful planter!



Assembly

CORTEN STEEL CARREZ CONNECT WITH BOTTOM

Our CARREZ connect comes as a self-assembling product. All the parts you need to assemble the product are included in the package. For the construction and shape stability of the product, mounting U-profiles and tie rods is essential. Therefore, always install these if they are included.

WALLS

1. It is important that the product is positioned on a firm, levelled surface. If the ground is not level, the weight of the planter will be unevenly distributed. This can cause stress damage.
2. Connect the 4 side panels while they are standing on their top edge on the ground. This means that the planter will only need to be turned once during construction.

BOTTOM

It is recommended that two people perform the following steps.

3. Mount 1 bottom plate in the corners with M8X20 bolts.
4. If a second plate is supplied, mount it in the other corners with M8X20 bolts.
5. If a second plate has been delivered. Tighten the bottom plates together on the inside of the connect planter with M8X20 bolts. (This can be seen in the picture at tie rod).
6. In our large square planters, you should place extra feet in the middle of the base to prevent it from sagging. There are extra holes drilled where you should place the feet.

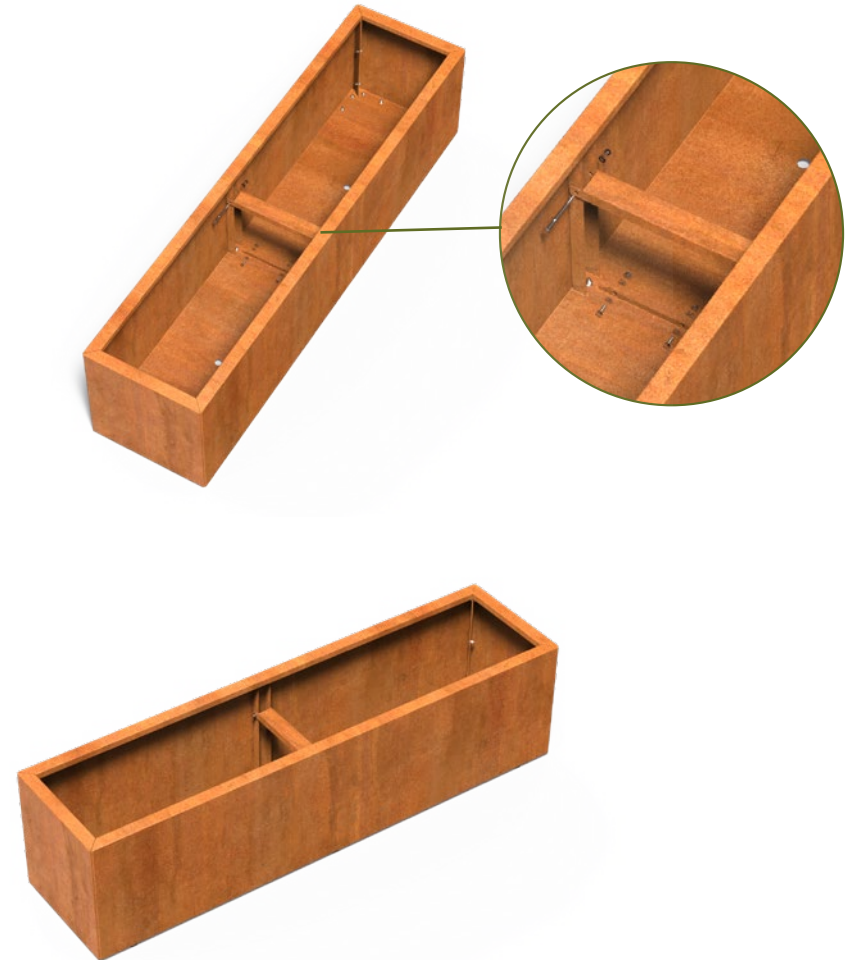


TIE RODS

7. Attach the second tie rod halfway up the planter using the M8x100. If the planter you have ordered needs tie rods, these will be included. The tie rods provide essential structural stability to the planter and help it retain its shape.

FINISH!

8. When all panels and profiles are attached and the bolts are tightened, the planter is ready. Follow the planting advice below to get the most out of this beautiful planter!



Assembly

COATED STEEL CARREZ CONNECT WITH BOTTOM

Our CARREZ connect comes as a self-assembling product. All the parts you need to assemble the product are included in the package. For the construction and shape stability of the product, mounting U-profiles and tie rods is essential. Therefore, always install these if they are included.

In addition, it is important to assemble the CARREZ coated connect on a soft surface, such as grass or a blanket, so that the planter does not scratch.

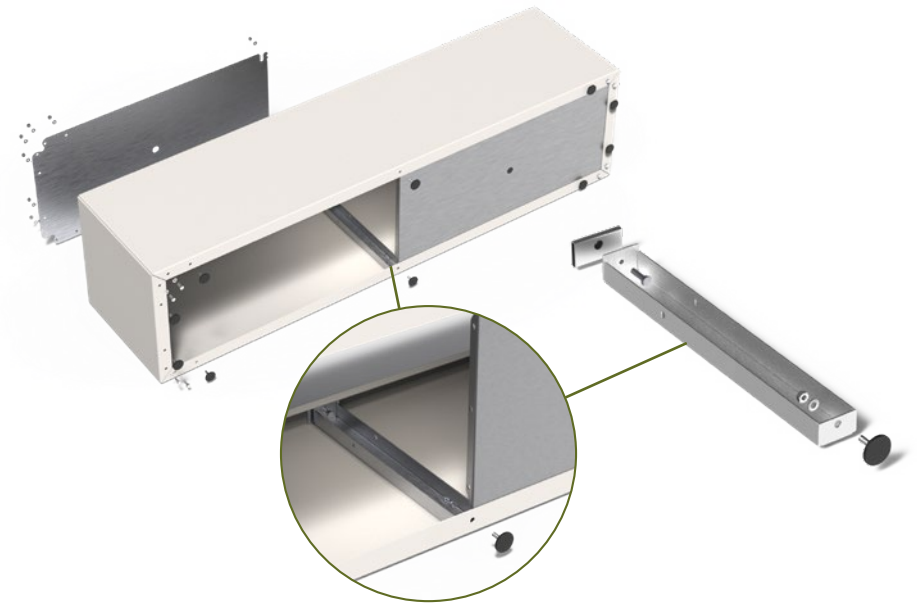
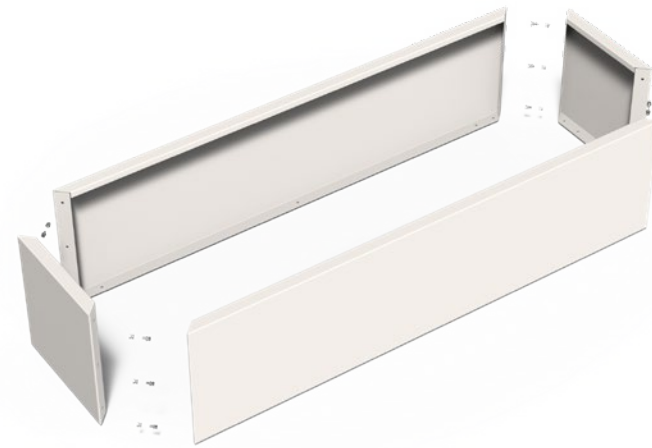
WALLS

1. It is important that the product is positioned on a firm, levelled surface. If the ground is not level, the weight of the planter will be unevenly distributed. This can cause stress damage.
2. Connect the 4 side panels while they are standing on their top edge on the ground. This means that the planter will only need to be turned once during construction.

BOTTOM

It is recommended that two people perform the following steps.

3. Mount 1 bottom plate in the corners with M8X20 bolts.
4. If a second plate is supplied, mount it in the other corners with M8X20 bolts.
5. If U-profiles are supplied, mount them in the middle of the long wall. Do this by screwing them to the base and the wall, using a nut with washer and base (see illustration).
6. Tighten the adjusting bolts at the top of the U-profile so that the profile clamps against the top edge. The U-profile is shown loose for clarification.
7. If a second plate has been delivered. Tighten the bottom plates together on the inside of the connect planter with M8X20 bolts. (This can be seen in the picture at tie rod).
8. In our large square planters, you must place extra feet in the middle of the base to prevent it from sagging. There are extra holes drilled where you should place the feet.



TIE RODS

9. Attach the second tie rod halfway up the planter using the M8x100. If the planter you have ordered needs tie rods, these will be included. The tie rods provide essential structural stability to the planter and help it retain its shape.

FINISHED!

10. When all panels and profiles are attached and the bolts are tightened, the planter is ready. Follow the planting advice below to get the most out of this beautiful planter!



Planting advice

CORTEN STEEL WITHOUT BOTTOM

1. Fill the container with soil suitable for your type of plants.

Note! The soil in the planter should never be tamped down, this can cause damage to the planter.

COATED STEEL WITHOUT BOTTOM

1. Fill the container with soil suitable for your type of plants.

Note! The soil in the planter should never be tamped down, this can cause damage to the planter.

CORTEN STEEL WITH BOTTOM

1. Cover the bottom with a layer of pebbles (approx. 10 cm, Ø35 mm grading).

2. Place a permeable anti-root membrane over the pebbles.

Note! Raise the cloth at the edges at least 10 cm for an ideal effect.

3. Cover the membrane with soil suitable for your chosen plants.

Note! The soil in the planter should never be tamped down, this can cause damage to the planter.

4. Do not use an overflow pipe; no water should remain in the corten steel planter.

COATED STEEL WITH BOTTOM

1. Insert the overflow pipes into the drainage holes prepared for them.

2. Fill the planter with about 10 cm of drainage material

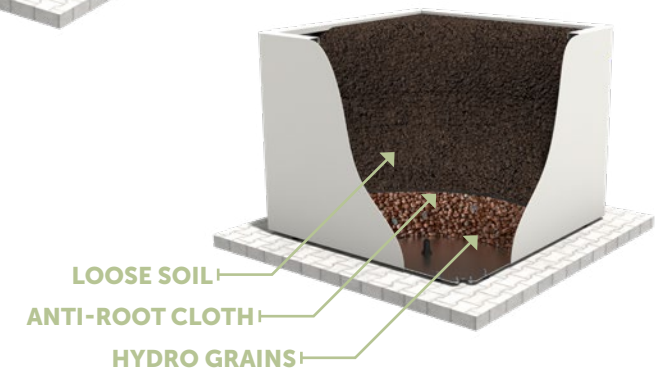
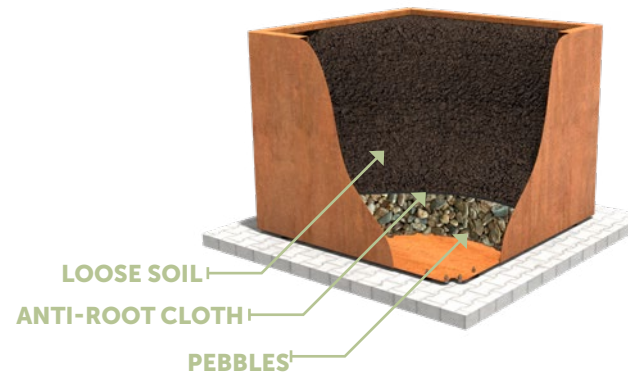
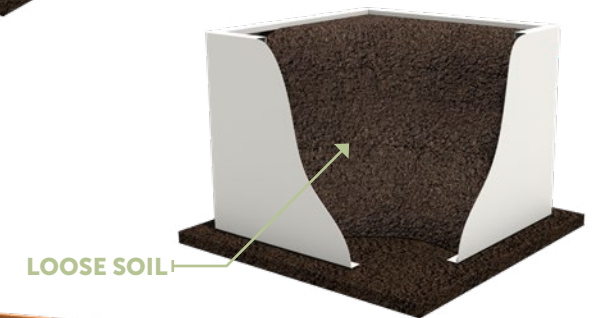
3. Place a permeable anti-root membrane over the pebbles.

Note! Raise the cloth at the edges at least 10 cm for an ideal effect.

4. Cover the membrane with soil suitable for your chosen plants.

Note! The soil in the planter should never be tamped down, this can cause damage to the planter.

5. Keep the drainage holes clear so that excess water can run off.



Maintenance and Accessories

All our maintenance products and accessories meet the highest standards and are an excellent complement to our products. Click on the images for more information about the products.



CORTEN STEEL VARNISH

CORTEN STEEL

Corten varnish can be applied to the corten steel products to stop the weathering process. Always read the descriptions on the packaging carefully before use.



RUST ACCELERATOR

CORTEN STEEL

Our corten steel products are delivered un-rusted and the weathering process will take approximately 4-5 months. This process can be accelerated with the BIO rust accelerator available on our website. Always read the descriptions on the packaging carefully before use.



CLEANER & PROTECTOR

COATED STEEL

We recommend cleaning our products at least twice a year. For optimal results, use the ADEZZ BIO Cleaner & Protector. Always read the descriptions on the packaging carefully before use.



OVERFLOW PIPE

COATED STEEL

Overflow pipes provide a water buffer at the bottom of the planter and fit into the standard drainage holes, making them easy to install.



ADEZZ

DESIGN TO GROW

Spending time outdoors has soared in popularity over the last few years, becoming an increasingly important part of our daily lives. Our brands ADEZZ, FORNO and FURNS offer a diverse range of products guaranteed to enhance the outdoor experience. Our collections create an ambience in which you can enjoy your garden to the fullest.

All brands have their own character, but they are designed to work together, allowing you to create endless combinations. The materials, finishes and styles are repeated across the collections so that they coordinate beautifully. The result? A long-lasting, stylish garden design: from sleek edging to exclusive furniture and from sturdy fireplaces to elegant water tables.

We design and manufacture all our products in-house, ensuring that we can continue to provide the high quality that you have come to expect from us. And we do this at the most competitive price possible. All our products are made in Europe with the utmost care, so we can be sure that they meet our exacting standards.

ADEZZ© product information edition 3, 01 - 2024.

This product information has been compiled with great care.

It is nevertheless possible that it contains errors or is not up to date. We reserve the right to amend or change prices and images.

