



FORNO

IGNITE YOUR NATURE

DIGNA

DIGNA

This DIGNA is designed to be free-standing so the fire can be enjoyed and admired from all sides, creating a cosy and inviting atmosphere in the garden.





CORTEN STEEL

Our DIGNA has an open design, making it perfect for adding warmth and character to your garden. The design allows the fire to be admired and enjoyed from all sides. The warm colour of corten steel combines beautifully with other natural garden elements. It will also look wonderful when paired with other corten steel products, such as one of our corten steel wood storage.

The DIGNA is made of corten steel, which develops an orange-brown patina over time. Corten steel is a metal alloy made by adding copper, phosphorus, silicon, nickel and chromium to iron. When exposed to air, the material forms a protective layer of rust. This natural coating prevents further corrosion.

SPECIFICATIONS

- 5-year guarantee.
- Corten steel is very robust, hard-wearing, weatherproof, low-maintenance and durable.
- The DIGNA is available in two sizes.
- Fitted with a door as standard.
- Does not include flue pipe or rain cap.

KEY POINTS TO NOTE

- Always place the outdoor fireplace on a flat, heat-resistant, stable surface.
- Use one wall bracket per metre of flue pipe or use a roof duct.
- Products should be unpacked immediately upon receipt to release any moisture trapped inside the packaging. If the product is left in its packaging, it may develop uneven rust patches.
- Products are delivered un-rusted. The corten steel rusting process takes about 4–5 months, depending on weather conditions.
- The rust can be fixed by applying Owatrol. This is a penetrating rust inhibitor that forms a protective anti-rust coating. Owatrol protects the product and stops the rust on corten steel flaking off.
- The guarantee is void if the product is drilled, sanded or scoured in a manner other than prescribed.
- We do not recommend using corten steel within 2 km of a coastline.





COATED STEEL

Our DIGNA has an open design, making it perfect for adding warmth and character to your garden. The design allows the fire to be admired and enjoyed from all sides. The black coating gives it a timeless and stylish look that will beautifully complement other elements in your garden, such as our coated wood storage.

The DIGNA has a heat-resistant, rust-proof coating. To minimise the impact of weather conditions on the DIGNA outdoor fireplace, we recommend placing it under a canopy or shelter. Some rusting may unavoidably occur over time due to exposure to the elements.

SPECIFICATIONS

- 5-year guarantee.
- Steel is very robust, hard-wearing, low-maintenance and durable.
- Heat-resistant coating RAL colour 9005.
- The DIGNA is available in two sizes.
- Does not include flue pipe or rain cap.

KEY POINTS TO NOTE

- Always place the outdoor fireplace on a flat, heat-resistant, stable surface.
- Use one wall bracket per metre of flue pipe or use a roof duct.
- Products should be unpacked immediately upon receipt to release any moisture trapped inside the packaging. If the product is left in its packaging, it may develop uneven rust patches.
- The guarantee is void if the product is drilled, sanded or scoured in a manner other than prescribed.
- If necessary, treat any areas that have dulled or developed rust with a coating such as our Heat-Resistant Spray Paint RAL 9005 black.



Installation of flue pipe

STEP 1

Make a round hole in the roof. The hole should be a few millimetres larger than the diameter of the flue.

STEP 2

Position the clamps in the middle under the hole and screw them down.

STEP 3

Insert the flue through the hole in the clamps. Make sure the flue connects well with the stove's flue.

STEP 4

Level the flue pipe and tighten the clamps.

Note! Make sure the ends are 25 cm from combustible material.

STEP 5

Place the roof plate over the flue on the roof.



STEP 6

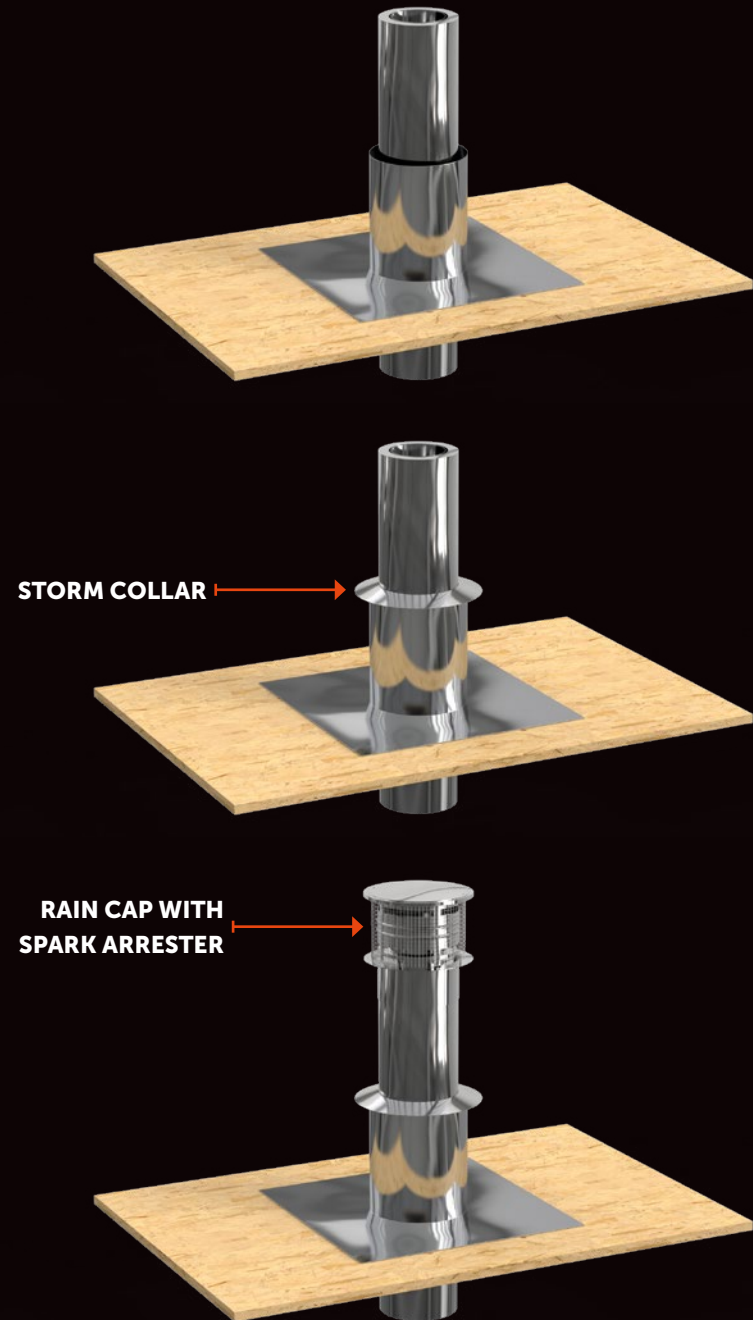
Ensure a watertight transition from the roof duct to the roof. We do not supply any materials for this.

STEP 7

Place the storm collar over the flue. The storm collar must connect neatly to the roof plate and the flue.

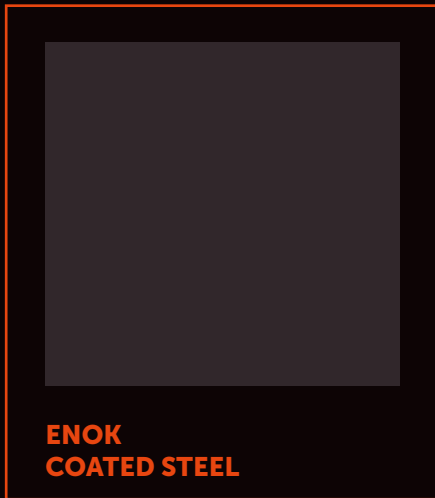
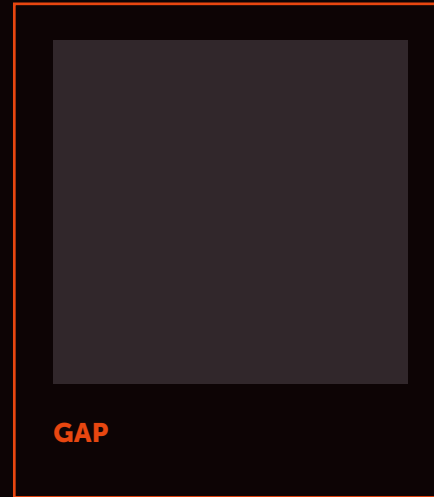
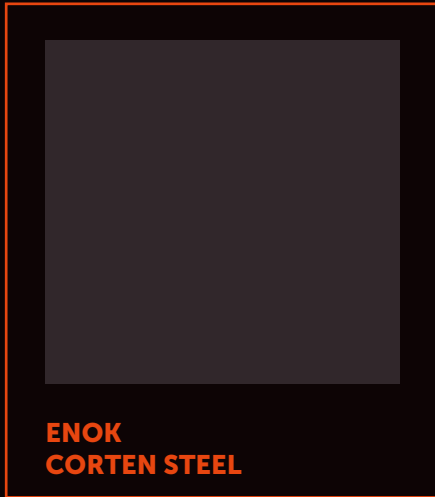
STEP 8

Place the calculation cap with spark arrester, possibly in combination with an extension, on the flue.



Models

Click on the images for more information about the products.



Accessories

Click on the images for more information about the products.



**FLUE 150
CORTEN STEEL**



ROOFPASSAGE



**FLUE 150
COATED STEEL**



SET WALL CLIP



Maintenance

All our accessories meet the highest standards and are an highly suitable addition to our products. Click on the images for more information about the products.



RUST ACCELERATOR

Our Corten Steel products are delivered un-rusted and the weathering process will take approximately 4-5 months. This process can be accelerated with the BIO rust accelerator available on our website.

Always read the descriptions on the packaging carefully before use.



FORNO

IGNITE YOUR NATURE

Spending time outdoors has soared in popularity over the last few years, becoming an increasingly important part of our daily lives. FORNO offers a diverse range of products guaranteed to enhance the outdoor experience. Our collections create an ambience in which you can enjoy your garden to the fullest.

All our products have their own character, but they are designed to work together, allowing you to create endless combinations. The materials, finishes and styles are repeated across the collections so that they coordinate beautifully. The result? A long-lasting, stylish garden design: from fire tables to exclusive outdoor kitchens and from sturdy fireplaces to timeless wood storage.

We design and manufacture all our products in-house, ensuring that we can continue to provide the high quality that you have come to expect from us. And we do this at the most competitive price possible. All our products are made in Europe with the utmost care, so we can be sure that they meet our exacting standards.

FORNO® product information edition 2, 06 - 2023.

This product information has been compiled with great care.

It is nevertheless possible that it contains errors or is not up to date. We reserve the right to amend or change prices and images.

